

Client: BLOOR HOMES

Site: BLOOR 2022

House Type: CLASSIC 384 MAKENZIE EXC UTILITY

House Type 2: STANDARD

Drawing No: 724089_A

Revision No: A

Scale: Scale-to-fit

Symphony

THIS DRAWING AND THE COPYRIGHT THEREIN IS THE PROPERTY OF THE SYMPHONY GROUP PLC. THIS DRAWING IS ISSUED ON THE CONDITION THAT IT MUST NOT BE USED, COPIED OR EXHIBITED WITHOUT THE WRITTEN PERMISSION OF THE SYMPHONY GROUP PLC. ANY COMPONENTS OR ARTICLES MADE IN ACCORDANCE WITH THIS DRAWING MUST NOT BE USED FOR ANY OTHER PURPOSE THAN FOR WHICH THE DRAWING IS ISSUED.

THIS PLAN IS OFFERED AS A GUIDE ONLY FOR APPROVAL BY OUR CUSTOMER. NO RESPONSIBILITY IS UNDERTAKEN FOR ITS ACCURACY IN RELATION TO ORDERS PLACED FOR THE FITTING OF OUR GOODS WITHIN THE DIMENSIONS SHOWN.

**SCHEDULE &
CUBIC CAPACITY**

Symphony®

Client Name:	BLOOR HOMES	Site Name:	BLOOR 2022 CLASSIC ISSUE 4
House Type:	CLASSIC 384 MAKENZIE EXC UTILITY STANDARD		
Drawing No:	724089_A	Revision No:	A
Date Drawn:	Fri, Jul 15, 2022	Revision Date:	14.7.22
Designed By:	CARA NORTCLIFF	Quote No:	

Items on Plan:

Default Style

Plan No.	Qty	Code	Hdg	Description	Dims	CC (M3)
1	1	SU66SLF	L	Sink Unit FH w/Sink Liner	600/600/870	0.20
2	1	BU66F	R	Base Unit FH	600/600/870	0.20
3	1	BLU7523C		Carcase Matched Tall Blender	750/2400	
4	1	OH663A	R	Dbl Oven Hsg. (3A)	600/600/2100	0.28
5	1	BLU7523C		Carcase Matched Tall Blender	750/2400	
6	1	BBU6592C		Carcase Matched Base Blender	650/920	
7	1	BU56F	L	Base Unit FH	500/600/870	0.16
8	1	BU66F3IDC	L	Base Unit FH w/1x Shallow Int. Drw & 2x Deep Int. Drw	600/600/870	0.20
8.1	1	HOBSHIELD6		Hobshield	600	
9	1	CB86FAFP	R	Corner Base FH (400 Door) (Flexi C/Post)	800/600/870	0.26
10	1	BBU6592C		Carcase Matched Base Blender	650/920	
11	1	WU672	L	Wall Unit	600/300/724	0.10
12	1	WU672	R	Wall Unit	600/300/724	0.10
13	1	WU472	L	Wall Unit	400/300/724	0.07
14	1	WU672	R	Wall Unit	600/300/724	0.10
15	1	CWU672	L	Corner Wall, No C/Post (300 Door)	600/300/724	0.10
16	1	WU672	L	Wall Unit	600/300/724	0.10
	1	FRONTPNL72		Frontal Matched Filler Panel (For C/Post)	720	

**Total cubic metres of
storage**

1.87

Worktop Details:

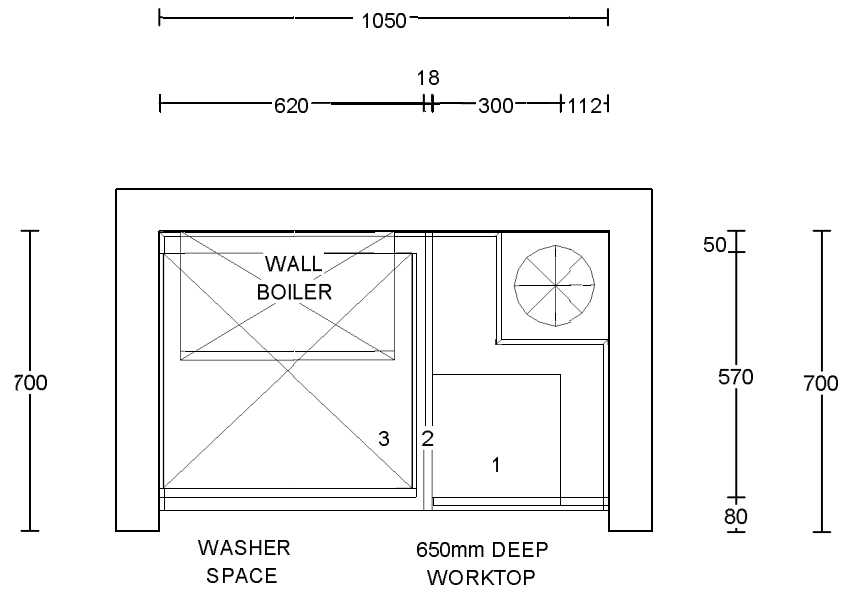
Default Style

Plan No.	Qty	Code	Description	Dims
17	1	PWT	40mm PVC Edged / 40mm Premium Worktop	1700/600
18	1	PWT	40mm PVC Edged / 40mm Premium Worktop	2500/650
	1	PFUP3095	Laminate Upstand	3000/95
	1	PFUP3095	Laminate Upstand	3000/95

Accessories and Trims:

Default Style

Qty	Code	Description	Dims
1	BRKPLINTH	Plinth Corner Bracket (Pack of 2)	
2	CONPLINTHC	Carcase Matched Continuous Plinth w/Plinth Seal	2600
1	CTRAYVFH6	Standard Internal Cutlery Tray (For BU66F3ID/BU66F4ID)	600
2	RUNITPROTECT	Kitchen Protective Material	
1	STSBACK600	Stainless Steel Splashback 600 X	750
1	TOPSEALBOLT	Topseal Easibolt Pack	
1	VENTGRIDGR	Aeration Grid Grey	510/45/15



Client: BLOOR HOMES

Site: BLOOR 2022

House Type: CLASSIC 384 MAKENZIE UTILITY

House Type 2: STANDARD

Drawing No: 724089U_

Revision No:

Scale: Scale-to-fit

Symphony®

THIS DRAWING AND THE COPYRIGHT THEREIN IS THE PROPERTY OF THE SYMPHONY GROUP PLC. THIS DRAWING IS ISSUED ON THE CONDITION THAT IT MUST NOT BE USED, COPIED OR EXHIBITED WITHOUT THE WRITTEN PERMISSION OF THE SYMPHONY GROUP PLC. ANY COMPONENTS OR ARTICLES MADE IN ACCORDANCE WITH THIS DRAWING MUST NOT BE USED FOR ANY OTHER PURPOSE THAN FOR WHICH THE DRAWING IS ISSUED.

THIS PLAN IS OFFERED AS A GUIDE ONLY FOR APPROVAL BY OUR CUSTOMER. NO RESPONSIBILITY IS UNDERTAKEN FOR ITS ACCURACY IN RELATION TO ORDERS PLACED FOR THE FITTING OF OUR GOODS WITHIN THE DIMENSIONS SHOWN.

**SCHEDULE &
CUBIC CAPACITY**

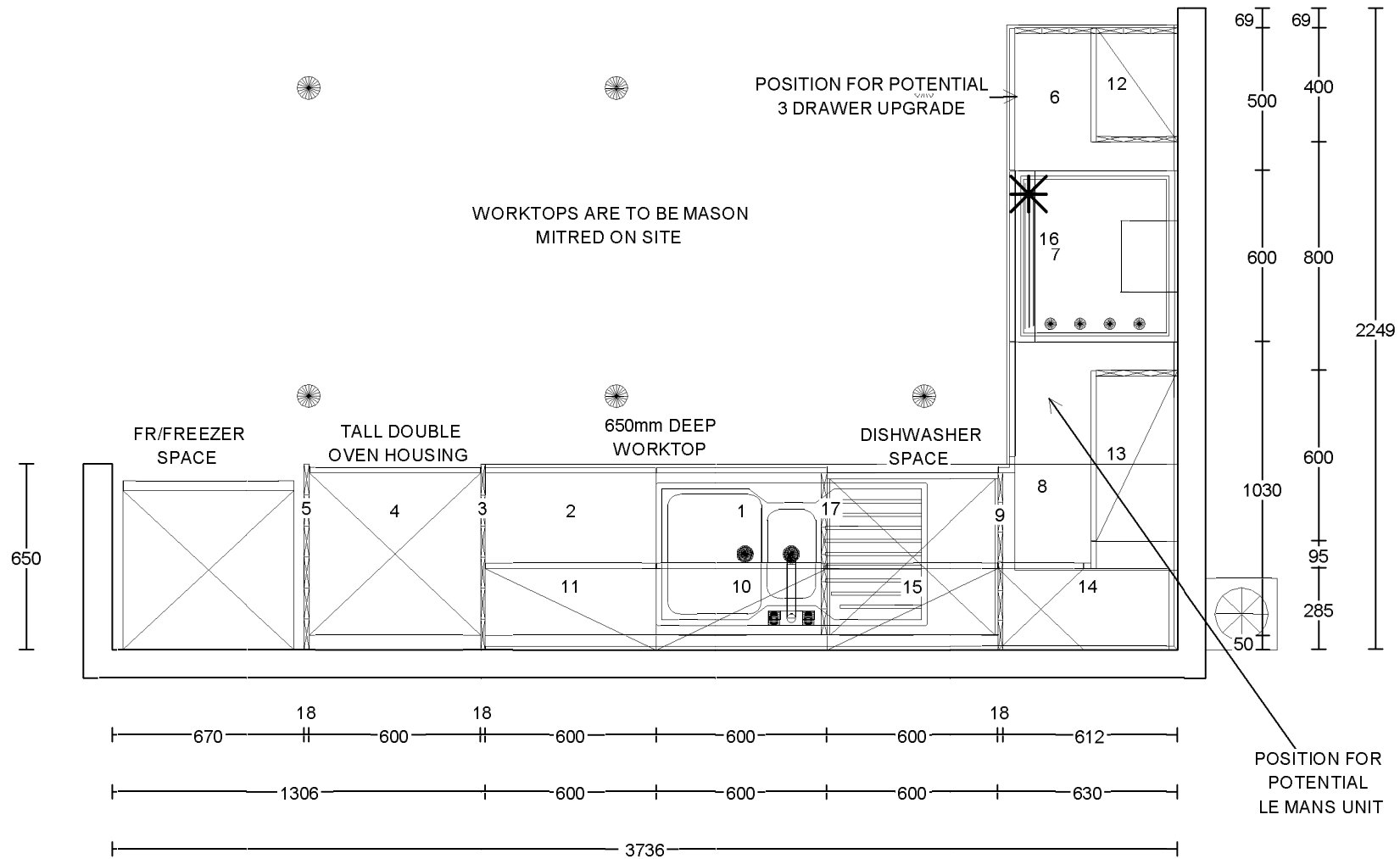


Client Name:	BLOOR HOMES	Site Name:	BLOOR 2022 CLASSIC ISSUE 4
House Type:	CLASSIC 384 MAKENZIE UTILITY STANDARD		
Drawing No:	724089U_	Revision No:	
Date Drawn:	Fri, Nov 25, 2022	Revision Date:	
Designed By:	CARA NORTCLIFF	Quote No:	

Items on Plan:		Default Style				
Plan No.	Qty	Code	Hdg	Description	Dims	CC (M3)
1	1	BU33F	R	Reduced Depth Base Unit FH	300/300/870	0.05
2	1	BBU6592C		Carcase Matched Base Blender	650/920	
	1	BWU390C		Carcase Matched Wall Blender (For Filler)	307/970	
Total cubic metres of storage						0.05

Worktop Details:		Default Style			
Plan No.	Qty	Code	Description	Dims	
3	1	PWT	40mm PVC Edged / 40mm Premium Worktop	1200/650	
	1	PFUP3095	Laminate Upstand	3000/95	

Accessories and Trims:		Default Style		
Qty	Code	Description	Dims	
1	CONPLINTHC	Carcase Matched Continuous Plinth w/Plinth Seal	2600	
1	RUNITPROTECT	Kitchen Protective Material		



Client: BLOOR HOMES

Site: BLOOR 2022

House Type: CLASSIC 384 MAKENZIE EXC UTILITY

House Type 2: UPGRADE

Drawing No: 724090_A

Revision No: A

Scale: Scale-to-fit

Symphony

THIS DRAWING AND THE COPYRIGHT THEREIN IS THE PROPERTY OF THE SYMPHONY GROUP PLC. THIS DRAWING IS ISSUED ON THE CONDITION THAT IT MUST NOT BE USED, COPIED OR EXHIBITED WITHOUT THE WRITTEN PERMISSION OF THE SYMPHONY GROUP PLC. ANY COMPONENTS OR ARTICLES MADE IN ACCORDANCE WITH THIS DRAWING MUST NOT BE USED FOR ANY OTHER PURPOSE THAN FOR WHICH THE DRAWING IS ISSUED.

THIS PLAN IS OFFERED AS A GUIDE ONLY FOR APPROVAL BY OUR CUSTOMER. NO RESPONSIBILITY IS UNDERTAKEN FOR ITS ACCURACY IN RELATION TO ORDERS PLACED FOR THE FITTING OF OUR GOODS WITHIN THE DIMENSIONS SHOWN.

**SCHEDULE &
CUBIC CAPACITY**



Client Name:	BLOOR HOMES	Site Name:	BLOOR 2022 CLASSIC ISSUE 4
House Type:	CLASSIC 384 MAKENZIE EXC UTILITY UPGRADE		
Drawing No:	724090_A	Revision No:	A
Date Drawn:	Fri, Jul 15, 2022	Revision Date:	14.7.22
Designed By:	CARA NORTCLIFF	Quote No:	

Items on Plan:

Default Style

Plan No.	Qty	Code	Hdg	Description	Dims	CC (M3)
1	1	SU66SLFGL	L	Sink Unit FH w/Sink Liner (LH End)	600/600/870	0.20
2	1	BU66F	R	Base Unit FH	600/600/870	0.20
3	1	BLU7523R		Replacement End Matched Tall Blender	750/2400	
4	1	OH663A	R	Dbl Oven Hsg. (3A)	600/600/2100	0.28
5	1	BLU7523R		Replacement End Matched Tall Blender	750/2400	
6	1	BU56FGL	L	Base Unit FH (LH End)	500/600/870	0.16
7	1	BU66F3IDC	L	Base Unit FH w/1x Shallow Int. Drw & 2x Deep Int. Drw	600/600/870	0.20
7.1	1	HOBSHIELD6		Hobshield	600	
8	1	CB86FAFP	R	Corner Base FH (400 Door) (Flexi C/Post)	800/600/870	0.26
9	1	BBU6592R		Replacement End Matched Base Blender	650/920	
10	1	WU672	L	Wall Unit	600/300/724	0.10
11	1	WU672	R	Wall Unit	600/300/724	0.10
12	1	WU472G2	L	Wall Unit (2 Ends)	400/300/724	0.07
13	1	WU672GL	R	Wall Unit (LH End)	600/300/724	0.10
14	1	CWU672	L	Corner Wall, No C/Post (300 Door)	600/300/724	0.10
15	1	WU672	L	Wall Unit	600/300/724	0.10
	1	FRONTPNL72		Frontal Matched Filler Panel (For C/Post)	720	

Total cubic metres of storage

1.87

Worktop Details:

Default Style

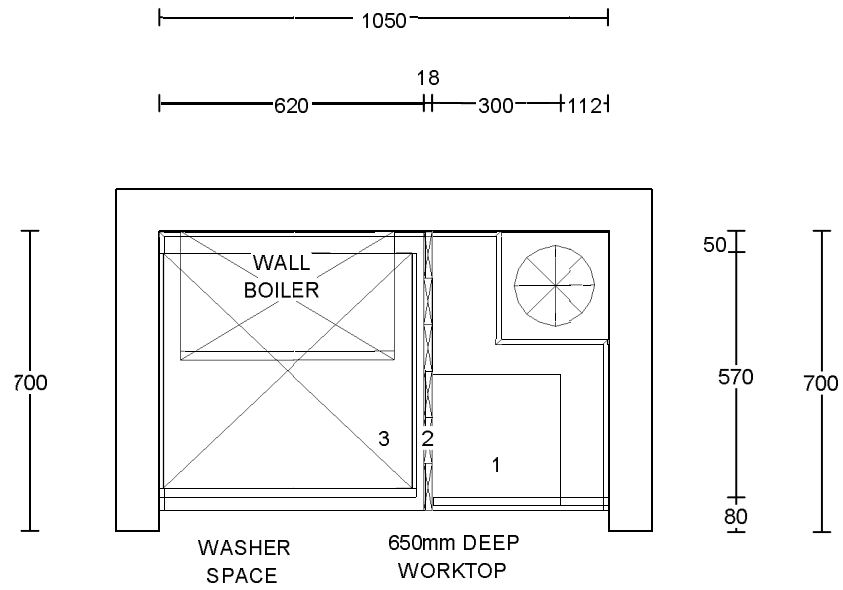
Plan No.	Qty	Code	Description	Dims
16	1	PWT	40mm PVC Edged / 40mm Premium Worktop	1700/600
17	1	PWT	40mm PVC Edged / 40mm Premium Worktop	2500/650
	1	PFUP3095	Laminate Upstand	3000/95
	1	PFUP3095	Laminate Upstand	3000/95

Accessories and Trims:

Default Style

--

Qty	Code	Description	Dims
2	CONPLINTHR	Replacement End Matched Continuous Plinth w/Plinth Seal	2600
1	CTRAYVFH6	Standard Internal Cutlery Tray (For BU66F3ID/BU66F4ID)	600
2	RUNITPROTECT	Kitchen Protective Material	
1	STSBACK600	Stainless Steel Splashback 600 X	750
1	TOPSEALBOLT	Topseal Easibolt Pack	
1	VENTGRIDGR	Aeration Grid Grey	510/45/15



Client:	BLOOR HOMES
Site:	BLOOR 2022
House Type:	CLASSIC 384 MAKENZIE UTILITY
House Type 2:	UPGRADE

Drawing No:	724090U_
Revision No:	
Scale:	Scale-to-fit

Symphony®

THIS DRAWING AND THE COPYRIGHT THEREIN IS THE PROPERTY OF THE SYMPHONY GROUP PLC. THIS DRAWING IS ISSUED ON THE CONDITION THAT IT MUST NOT BE USED, COPIED OR EXHIBITED WITHOUT THE WRITTEN PERMISSION OF THE SYMPHONY GROUP PLC. ANY COMPONENTS OR ARTICLES MADE IN ACCORDANCE WITH THIS DRAWING MUST NOT BE USED FOR ANY OTHER PURPOSE THAN FOR WHICH THE DRAWING IS ISSUED.

THIS PLAN IS OFFERED AS A GUIDE ONLY FOR APPROVAL BY OUR CUSTOMER. NO RESPONSIBILITY IS UNDERTAKEN FOR ITS ACCURACY IN RELATION TO ORDERS PLACED FOR THE FITTING OF OUR GOODS WITHIN THE DIMENSIONS SHOWN.

**SCHEDULE &
CUBIC CAPACITY**

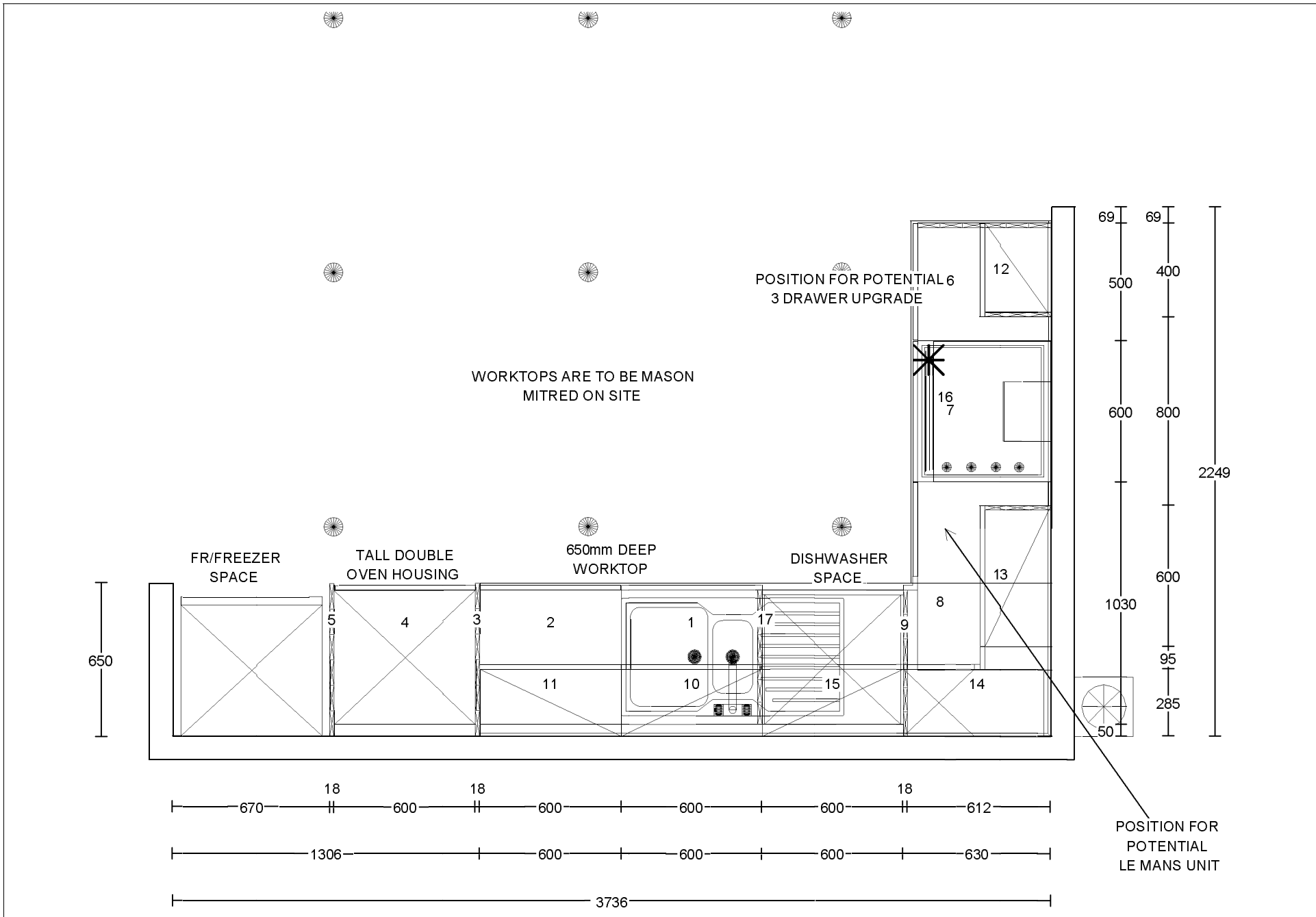


Client Name:	BLOOR HOMES	Site Name:	BLOOR 2022 CLASSIC ISSUE 4
House Type:	CLASSIC 384 MAKENZIE UTILITY UPGRADE		
Drawing No:	724090U_	Revision No:	
Date Drawn:	Fri, Nov 25, 2022	Revision Date:	
Designed By:	CARA NORTCLIFF	Quote No:	

Items on Plan:		Default Style				
Plan No.	Qty	Code	Hdg	Description	Dims	CC (M3)
1	1	BU33F	R	Reduced Depth Base Unit FH	300/300/870	0.05
2	1	BBU6592R		Replacement End Matched Base Blender	650/920	
	1	BWU390R		Replacement End Matched Wall Blender (For Filler)	307/970	
Total cubic metres of storage						0.05

Worktop Details:		Default Style				
Plan No.	Qty	Code	Description		Dims	
3	1	PWT	40mm PVC Edged / 40mm Premium Worktop		1200/650	
	1	PFUP3095	Laminate Upstand		3000/95	

Accessories and Trims:		Default Style				
Qty	Code	Description		Dims		
1	CONPLINTHR	Replacement End Matched Continuous Plinth w/Plinth Seal		2600		
1	RUNITPROTECT	Kitchen Protective Material				



Client:	BLOOR HOMES	Drawing No:	724091__
Site:	BLOOR 2022	Revision No:	
House Type:	CLASSIC 384 MAKENZIE EXC UTILITY	Scale:	Scale-to-fit
House Type 2:	EXCLUSIVE		

Symphony®

THIS DRAWING AND THE COPYRIGHT THEREIN IS THE PROPERTY OF THE SYMPHONY GROUP PLC. THIS DRAWING IS ISSUED ON THE CONDITION THAT IT MUST NOT BE USED, COPIED OR EXHIBITED WITHOUT THE WRITTEN PERMISSION OF THE SYMPHONY GROUP PLC. ANY COMPONENTS OR ARTICLES MADE IN ACCORDANCE WITH THIS DRAWING MUST NOT BE USED FOR ANY OTHER PURPOSE THAN FOR WHICH THE DRAWING IS ISSUED.

THIS PLAN IS OFFERED AS A GUIDE ONLY FOR APPROVAL BY OUR CUSTOMER. NO RESPONSIBILITY IS UNDERTAKEN FOR ITS ACCURACY IN RELATION TO ORDERS PLACED FOR THE FITTING OF OUR GOODS WITHIN THE DIMENSIONS SHOWN.

**SCHEDULE &
CUBIC CAPACITY**



Client Name:	BLOOR HOMES	Site Name:	BLOOR 2022 CLASSIC ISSUE 4
House Type:	CLASSIC 384 MAKENZIE EXC UTILITY EXCLUSIVE		
Drawing No:	724091__	Revision No:	
Date Drawn:	Wed, Mar 30, 2022	Revision Date:	
Designed By:	CARA NORTCLIFF	Quote No:	

Items on Plan: Default Style

Plan No.	Qty	Code	Hdg	Description	Dims	CC (M3)
1	1	SU66SLFGL	L	Sink Unit FH w/Sink Liner (LH End)	600/600/870	0.20
2	1	BU66F	R	Base Unit FH	600/600/870	0.20
3	1	BLU7523R		Replacement End Matched Tall Blender	750/2400	
4	1	OH663A	R	Dbl Oven Hsg. (3A)	600/600/2100	0.28
5	1	BLU7523R		Replacement End Matched Tall Blender	750/2400	
6	1	BU56FGL	L	Base Unit FH (LH End)	500/600/870	0.16
7	1	BU66F3IDC	L	Base Unit FH w/1x Shallow Int. Drw & 2x Deep Int. Drw	600/600/870	0.20
7.1	1	HOBSHIELD6		Hobshield	600	
8	1	CB86FAFP	R	Corner Base FH (400 Door) (Flexi C/Post)	800/600/870	0.26
9	1	BBU6592R		Replacement End Matched Base Blender	650/920	
10	1	WU672	L	Wall Unit	600/300/724	0.10
11	1	WU672	R	Wall Unit	600/300/724	0.10
12	1	WU472G2	L	Wall Unit (2 Ends)	400/300/724	0.07
13	1	WU672GL	R	Wall Unit (LH End)	600/300/724	0.10
14	1	CWU672	L	Corner Wall, No C/Post (300 Door)	600/300/724	0.10
15	1	WU672	L	Wall Unit	600/300/724	0.10
	1	FRONTPNL72		Frontal Matched Filler Panel (For C/Post)	720	

Total cubic metres of storage 1.87

Worktop Details: Default Style

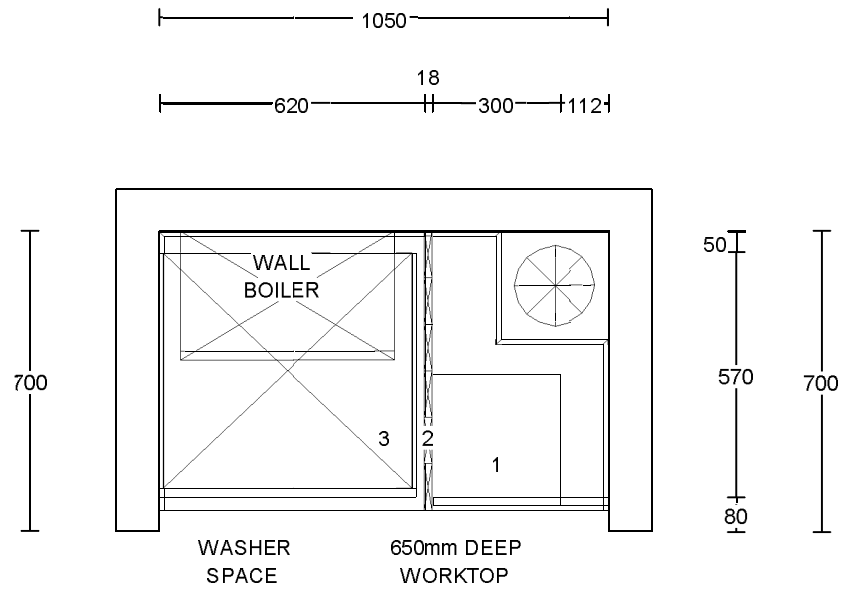
Plan No.	Qty	Code	Description	Dims
16	1	PWT	40mm PVC Edged / 40mm Premium Worktop	1700/600
17	1	PWT	40mm PVC Edged / 40mm Premium Worktop	2500/650
	1	PFUP3095	Laminate Upstand	3000/95

1	PFUP3095	Laminate Upstand	3000/95
---	----------	------------------	---------

Accessories and Trims:

Default Style

Qty	Code	Description	Dims
2	CONPLINTHR	Replacement End Matched Continuous Plinth w/Plinth Seal	2600
1	CTRAYVFH6	Standard Internal Cutlery Tray (For BU66F3ID/BU66F4ID)	600
1	GLSPASH675	Glass Splashback	600/750
2	RUNITPROTECT	Kitchen Protective Material	
1	TOPSEALBOLT	Topseal Easibolt Pack	
1	VENTGRIDGR	Aeration Grid Grey	510/45/15



Client:	BLOOR HOMES
Site:	BLOOR 2022
House Type:	CLASSIC 384 MAKENZIE UTILITY
House Type 2:	EXCLUSIVE

Drawing No:	724091U_
Revision No:	
Scale:	Scale-to-fit

Symphony®

THIS DRAWING AND THE COPYRIGHT THEREIN IS THE PROPERTY OF THE SYMPHONY GROUP PLC. THIS DRAWING IS ISSUED ON THE CONDITION THAT IT MUST NOT BE USED, COPIED OR EXHIBITED WITHOUT THE WRITTEN PERMISSION OF THE SYMPHONY GROUP PLC. ANY COMPONENTS OR ARTICLES MADE IN ACCORDANCE WITH THIS DRAWING MUST NOT BE USED FOR ANY OTHER PURPOSE THAN FOR WHICH THE DRAWING IS ISSUED.

THIS PLAN IS OFFERED AS A GUIDE ONLY FOR APPROVAL BY OUR CUSTOMER. NO RESPONSIBILITY IS UNDERTAKEN FOR ITS ACCURACY IN RELATION TO ORDERS PLACED FOR THE FITTING OF OUR GOODS WITHIN THE DIMENSIONS SHOWN.

**SCHEDULE &
CUBIC CAPACITY**



Client Name:	BLOOR HOMES	Site Name:	BLOOR 2022 CLASSIC ISSUE 4
House Type:	CLASSIC 384 MAKENZIE UTILITY EXCLUSIVE		
Drawing No:	724091U_	Revision No:	
Date Drawn:	Fri, Nov 25, 2022	Revision Date:	
Designed By:	CARA NORTCLIFF	Quote No:	

Items on Plan:		Default Style				
Plan No.	Qty	Code	Hdg	Description	Dims	CC (M3)
1	1	BU33F	R	Reduced Depth Base Unit FH	300/300/870	0.05
2	1	BBU6592R		Replacement End Matched Base Blender	650/920	
	1	BWU390R		Replacement End Matched Wall Blender (For Filler)	307/970	
Total cubic metres of storage						0.05

Worktop Details:		Default Style			
Plan No.	Qty	Code	Description	Dims	
3	1	PWT	40mm PVC Edged / 40mm Premium Worktop	1200/650	
	1	PFUP3095	Laminate Upstand	3000/95	

Accessories and Trims:		Default Style		
Qty	Code	Description	Dims	
1	CONPLINTHR	Replacement End Matched Continuous Plinth w/Plinth Seal	2600	
1	RUNITPROTECT	Kitchen Protective Material		