

Client:	BLOOR HOMES	Drawing No:	721346__
Site:	2018 CLASSICS	Revision No:	
House Type:	CLASSIC 571 RALEIGH ISSUE 4.1 - EXC UTILITY	Scale:	Scale-to-fit
House Type 2:	STANDARD		

**Symphony**<sup>®</sup>

THIS DRAWING AND THE COPYRIGHT THEREIN IS THE PROPERTY OF THE SYMPHONY GROUP PLC. THIS DRAWING IS ISSUED ON THE CONDITION THAT IT MUST NOT BE USED, COPIED OR EXHIBITED WITHOUT THE WRITTEN PERMISSION OF THE SYMPHONY GROUP PLC. ANY COMPONENTS OR ARTICLES MADE IN ACCORDANCE WITH THIS DRAWING MUST NOT BE USED FOR ANY OTHER PURPOSE THAN FOR WHICH THE DRAWING IS ISSUED.

THIS PLAN IS OFFERED AS A GUIDE ONLY FOR APPROVAL BY OUR CUSTOMER. NO RESPONSIBILITY IS UNDERTAKEN FOR ITS ACCURACY IN RELATION TO ORDERS PLACED FOR THE FITTING OF OUR GOODS WITHIN THE DIMENSIONS SHOWN.

**SCHEDULE &  
CUBIC CAPACITY**



Client Name:	BLOOR HOMES	Site Name:	2018 CLASSICS LEVEL 2 ISSUE 4
House Type:	CLASSIC 571 RALEIGH ISSUE 4.1 - EXC UTILITY STANDARD		
Drawing No:	721346__	Revision No:	
Date Drawn:	Fri, Sep 25, 2020	Revision Date:	
Designed By:	CARA NORTCLIFF	Quote No:	

Items on Plan:

Default Style

Plan No.	Qty	Code	Hdg	Description	Dims	CC (M3)
1	1	BLU7523C		Carcase Matched Tall Blender	750/2400	
2	1	BU63F	L	Reduced Depth Base Unit FH	600/300/870	0.10
3	1	BU63F	L	Reduced Depth Base Unit FH	600/300/870	0.10
4	1	BU63F	R	Reduced Depth Base Unit FH	600/300/870	0.10
5	1	BBBP992C		Carcase Matched Breakfast Bar Back Panel	900/920	
6	1	BU66F	L	Base Unit FH	600/600/870	0.20
7	1	BU66F	L	Base Unit FH	600/600/870	0.20
8	1	CB126FFP	R	Corner Base FH (600 Door) (Flexi C/Post)	1200/600/870	0.41
9	1	SU96SLF		Sink Unit FH w/Sink Liner	900/600/870	0.29
10	1	BBU6592C		Carcase Matched Base Blender	650/920	
11	1	CB96FAFP	L	Corner Base FH (450 Door) (Flexi C/Post)	900/600/870	0.29
12	1	BU56F	L	Base Unit FH	500/600/870	0.16
13	1	BU66F3IDC	L	Base Unit FH w/1x Shallow Int. Drw & 2x Deep Int. Drw	600/600/870	0.20
14	1	BU56F	R	Base Unit FH	500/600/870	0.16
15	1	OH663A	R	Dbl Oven Hsg. (3A)	600/600/2100	0.28
16	1	WU672	L	Wall Unit	600/300/724	0.10
17	1	WU4572	L	Wall Unit	450/300/724	0.08
18	1	WU472	L	Wall Unit	400/300/724	0.07
19	1	WU472	R	Wall Unit	400/300/724	0.07
	1	HOBSHIELD6		Hobshield	600	
	1	BWU390C		Carcase Matched Wall Blender (For Filler)	307/970	
	1	BWU390C		Carcase Matched Wall Blender (For Filler)	307/970	

**Total cubic metres of storage**

**2.81**

Worktop Details:

Default Style

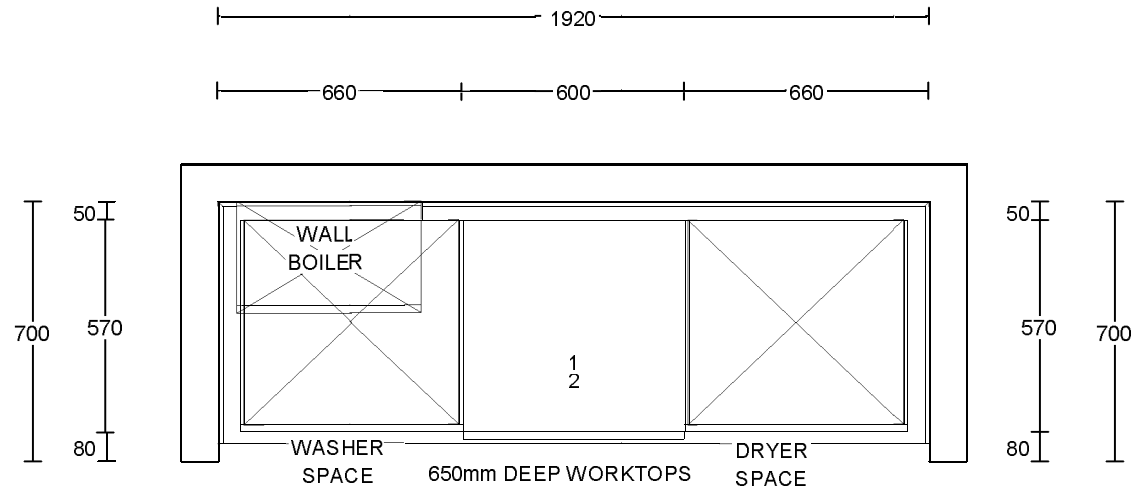
Plan No.	Qty	Code	Description	Dims
----------	-----	------	-------------	------

20	1	DPWT	40mm Double PVC Edged / 40mm Premium / 30mm Hi Def Worktop	2600/900
21	1	PWT	40mm PVC Edged / 40mm Premium / 30mm Hi Def Worktop	2300/600
22	1	PWT	40mm PVC Edged / 40mm Premium Worktop	2200/600
	1	PFUP3095	Laminate Upstand	3000/95
	1	PFUP3095	Laminate Upstand	3000/95
	1	PFUP3095	Laminate Upstand	3000/95

Accessories and Trims:

Default Style

Qty	Code	Description	Dims
1	BRKPLINTH	Plinth Corner Bracket (Pack of 2)	
4	CONPLINTHC	Carcase Matched Continuous Plinth w/Plinth Seal	2600
1	CTRAYVFH6	Standard Internal Cutlery Tray (For BU66F3ID/BU66F4ID)	600
2	RUNITPROTECT	Kitchen Protective Material	
1	SBACK675	Stainless Steel Splashback	600/750
2	TOPSEALBOLT	Topseal Easibolt Pack	
1	VENTGRIDGR	Aeration Grid Grey	510/45/15



PLEASE CHECK &  
 CONFIRM DIMENSIONS  
 & LAYOUT ON SITE  
 BEFORE ORDERING  
 CABINETS

Client:	BLOOR HOMES	Drawing No:	721346UA
Site:	2018 CLASSICS	Revision No:	A
House Type:	CLASSIC 571 RALEIGH ISSUE 4.1 - UTILITY	Scale:	Scale-to-fit
House Type 2:	STANDARD		

**Symphony**<sup>®</sup>

**SCHEDULE &  
CUBIC CAPACITY**



Client Name:	BLOOR HOMES	Site Name:	2018 CLASSICS LEVEL2 ISSUE 4
House Type:	CLASSIC 571 RALEIGH ISSUE 4.1 - UTILITY STANDARD		
Drawing No:	721346UA	Revision No:	A
Date Drawn:	Fri, Sep 25, 2020	Revision Date:	24.9.20
Designed By:	CARA NORTCLIFF	Quote No:	

Items on Plan: Default Style

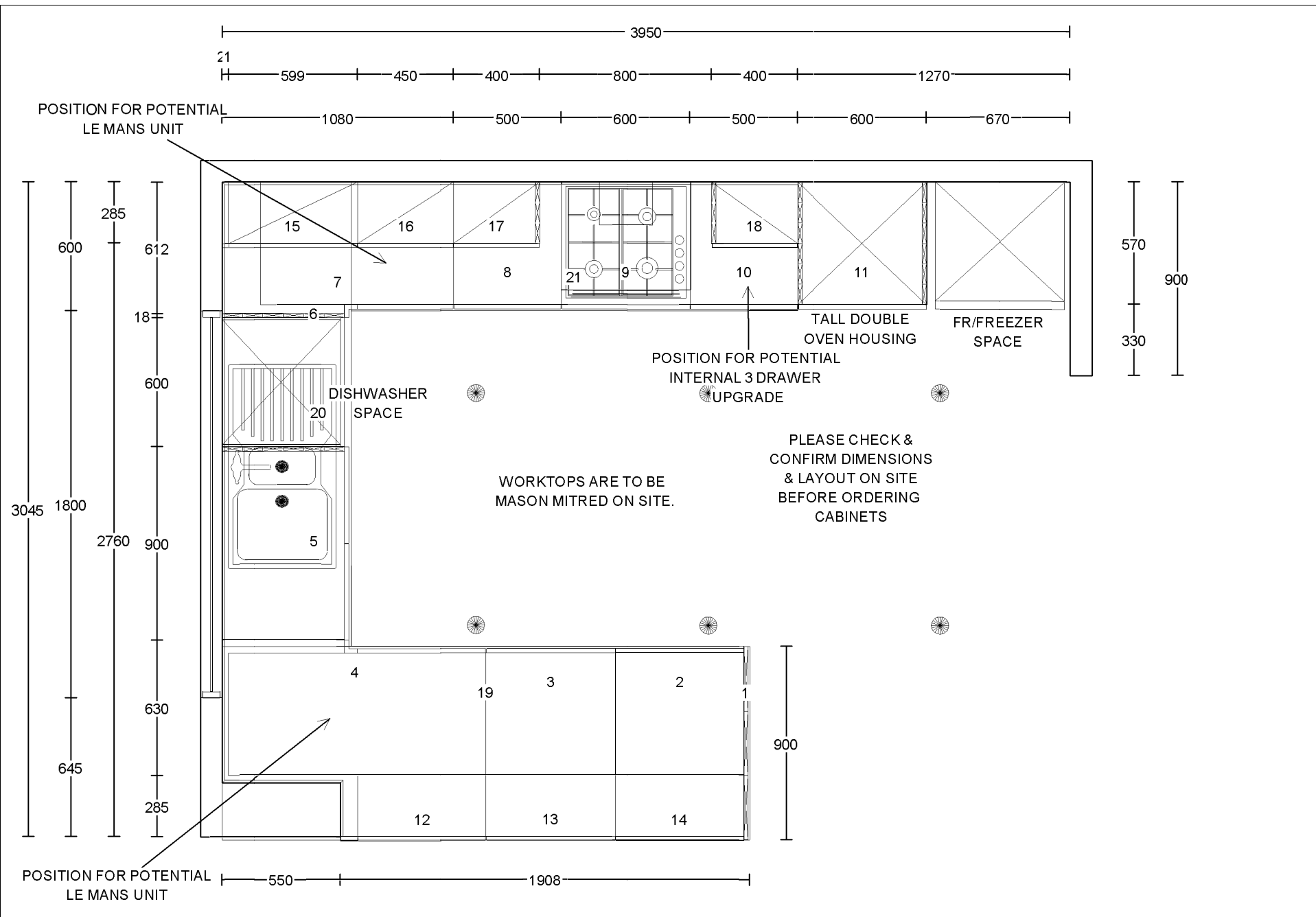
Plan No.	Qty	Code	Hdg	Description	Dims	CC (M3)
1	1	BU66F	L	Base Unit FH	600/600/870	0.20
<b>Total cubic metres of storage</b>						<b>0.20</b>

Worktop Details: Default Style

Plan No.	Qty	Code	Description	Dims
2	1	PWT	40mm PVC Edged / 40mm Premium / 30mm Hi Def Worktop	2000/650
	1	PFUP3095	Laminate Upstand	3050/95
	1	PFUP3095	Laminate Upstand	3000/95

Accessories and Trims: Default Style

Qty	Code	Description	Dims
1	BRKPLINTH	Plinth Corner Bracket (Pack of 2)	
1	CONPLINTHC	Carcase Matched Continuous Plinth w/Plinth Seal	2600
1	RUNITPROTECT	Kitchen Protective Material	



Client:	BLOOR HOMES	Drawing No:	721347__
Site:	2018 CLASSICS	Revision No:	
House Type:	CLASSIC 571 RALEIGH ISSUE 4.1 - EXC UTILITY	Scale:	Scale-to-fit
House Type 2:	UPGRADE		

**Symphony**<sup>®</sup>

THIS DRAWING AND THE COPYRIGHT THEREIN IS THE PROPERTY OF THE SYMPHONY GROUP PLC. THIS DRAWING IS ISSUED ON THE CONDITION THAT IT MUST NOT BE USED, COPIED OR EXHIBITED WITHOUT THE WRITTEN PERMISSION OF THE SYMPHONY GROUP PLC. ANY COMPONENTS OR ARTICLES MADE IN ACCORDANCE WITH THIS DRAWING MUST NOT BE USED FOR ANY OTHER PURPOSE THAN FOR WHICH THE DRAWING IS ISSUED.

THIS PLAN IS OFFERED AS A GUIDE ONLY FOR APPROVAL BY OUR CUSTOMER. NO RESPONSIBILITY IS UNDERTAKEN FOR ITS ACCURACY IN RELATION TO ORDERS PLACED FOR THE FITTING OF OUR GOODS WITHIN THE DIMENSIONS SHOWN.

**SCHEDULE &  
CUBIC CAPACITY**



Client Name:	BLOOR HOMES	Site Name:	2018 CLASSICS LEVEL 2 ISSUE 4
House Type:	CLASSIC 571 RALEIGH ISSUE 4.1 - EXC UTILITY UPGRADE		
Drawing No:	721347__	Revision No:	
Date Drawn:	Fri, Sep 25, 2020	Revision Date:	
Designed By:	CARA NORTCLIFF	Quote No:	

Items on Plan:

Plan No.	Qty	Code	Hdg	Description	Dims	CC (M3)
1	1	BBBP992R		Replacement End Matched Breakfast Bar Back Panel	900/920	
2	1	BU66F	L	Base Unit FH	600/600/870	0.20
3	1	BU66F	L	Base Unit FH	600/600/870	0.20
4	1	CB126FFP	R	Corner Base FH (600 Door) (Flexi C/Post)	1200/600/870	0.41
5	1	SU96SLFGR		Sink Unit FH w/Sink Liner (RH End)	900/600/870	0.29
6	1	BBU6592R		Replacement End Matched Base Blender	650/920	
7	1	CB96FAFP	L	Corner Base FH (450 Door) (Flexi C/Post)	900/600/870	0.29
8	1	BU56F	L	Base Unit FH	500/600/870	0.16
9	1	BU66F3IDC	L	Base Unit FH w/1x Shallow Int. Drw & 2x Deep Int. Drw	600/600/870	0.20
10	1	BU56F	R	Base Unit FH	500/600/870	0.16
11	1	OH663AG2	R	Dbl Oven Hsg. (3A) (2 Ends)	600/600/2100	0.28
12	1	BU63F	L	Reduced Depth Base Unit FH	600/300/870	0.10
13	1	BU63F	L	Reduced Depth Base Unit FH	600/300/870	0.10
14	1	BU63F	R	Reduced Depth Base Unit FH	600/300/870	0.10
15	1	WU672	L	Wall Unit	600/300/724	0.10
16	1	WU4572	L	Wall Unit	450/300/724	0.08
17	1	WU472GR	L	Wall Unit (RH End)	400/300/724	0.07
18	1	WU472GL	R	Wall Unit (LH End)	400/300/724	0.07
	1	HOBSHIELD6		Hobshield	600	
	1	BWU390R		Replacement End Matched Wall Blender (For Filler)	307/970	
	1	BWU390R		Replacement End Matched Wall Blender (For Filler)	307/970	

**Total cubic metres of storage**

**2.81**

Worktop Details:

Plan No.	Qty	Code	Description	Dims
----------	-----	------	-------------	------

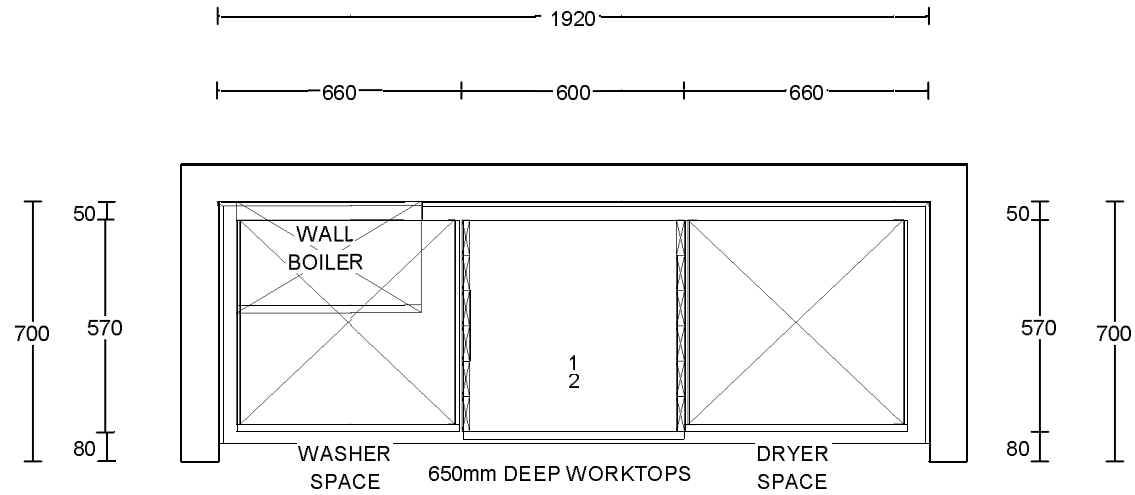
19	1	DPWT	40mm Double PVC Edged / 40mm Premium / 30mm Hi Def Worktop	2600/900
20	1	PWT	40mm PVC Edged / 40mm Premium / 30mm Hi Def Worktop	2300/600
21	1	PWT	40mm PVC Edged / 40mm Premium Worktop	2200/600
	1	PFUP3095	Laminate Upstand	3000/95
	1	PFUP3095	Laminate Upstand	3000/95
	1	PFUP3095	Laminate Upstand	3000/95

Accessories and Trims:

Default Style

Qty	Code	Description	Dims
4	CONPLINTHR	Replacement End Matched Continuous Plinth w/Plinth Seal	2600
1	CTRAYVFH6	Standard Internal Cutlery Tray (For BU66F3ID/BU66F4ID)	600
2	RUNITPROTECT	Kitchen Protective Material	
1	SBACK675	Stainless Steel Splashback	600/750
2	TOPSEALBOLT	Topseal Easibolt Pack	
1	VENTGRIDGR	Aeration Grid Grey	510/45/15





PLEASE CHECK &  
CONFIRM DIMENSIONS  
& LAYOUT ON SITE  
BEFORE ORDERING  
CABINETS

Client:	BLOOR HOMES	Drawing No:	721347UA
Site:	2018 CLASSICS	Revision No:	A
House Type:	CLASSIC 571 RALEIGH ISSUE 4.1 - UTILITY	Scale:	Scale-to-fit
House Type 2:	UPGRADE		

**Symphony**<sup>®</sup>

**SCHEDULE &  
CUBIC CAPACITY**

**Symphony**<sup>®</sup>

Client Name:	BLOOR HOMES	Site Name:	2018 CLASSICS LEVEL2 ISSUE 4
House Type:	CLASSIC 571 RALEIGH ISSUE 4.1 - UTILITY UPGRADE		
Drawing No:	721347UA	Revision No:	A
Date Drawn:	Fri, Sep 25, 2020	Revision Date:	24.9.20
Designed By:	CARA NORTCLIFF	Quote No:	

Items on Plan: Default Style

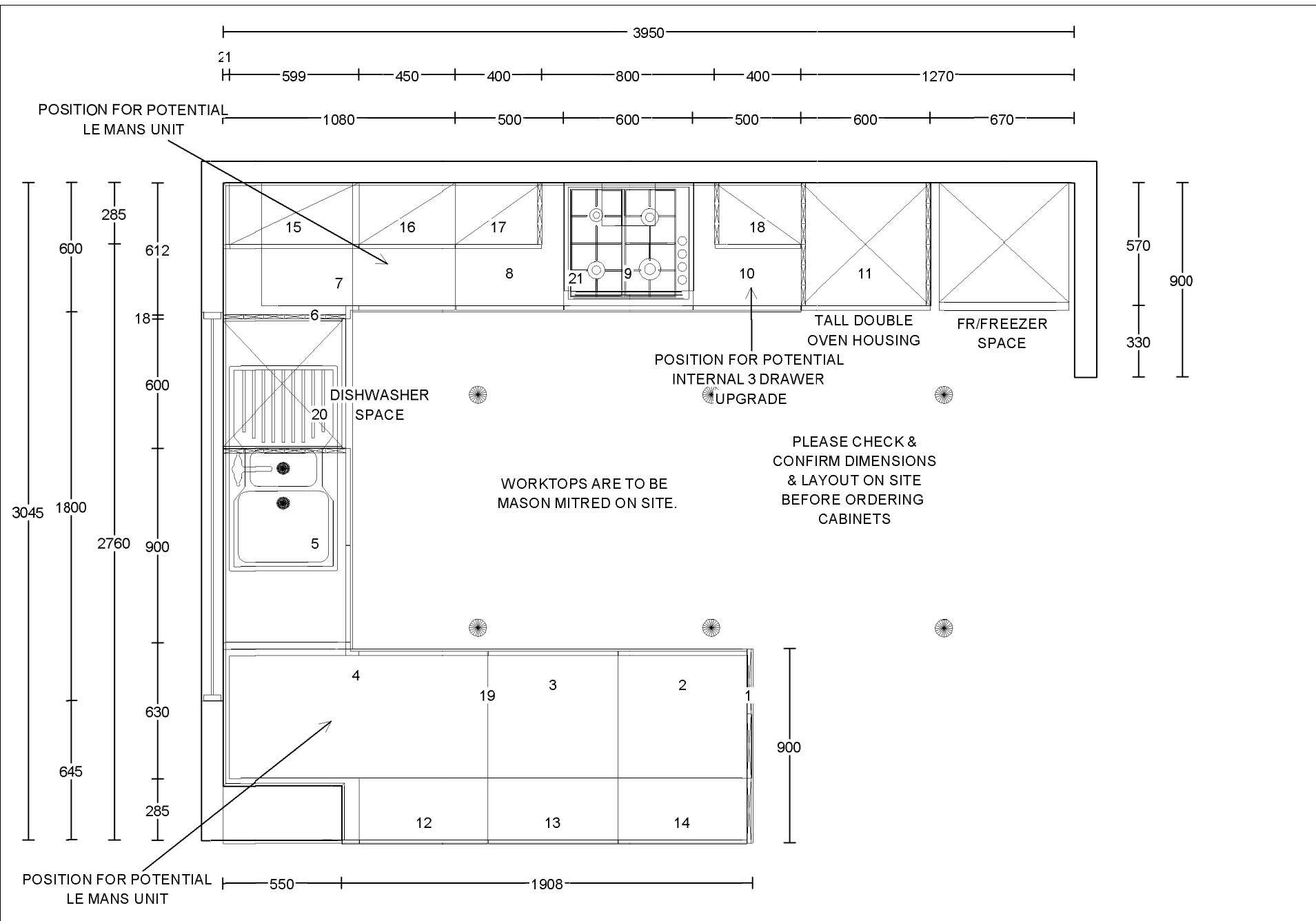
Plan No.	Qty	Code	Hdg	Description	Dims	CC (M3)
1	1	BU66FG2	L	Base Unit FH (2 Ends)	600/600/870	0.20
<b>Total cubic metres of storage</b>						<b>0.20</b>

Worktop Details: Default Style

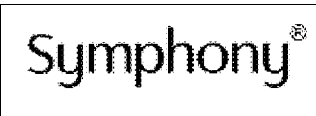
Plan No.	Qty	Code	Description	Dims
2	1	PWT	40mm PVC Edged / 40mm Premium / 30mm Hi Def Worktop	2000/650
	1	PFUP3095	Laminate Upstand	3050/95
	1	PFUP3095	Laminate Upstand	3000/95

Accessories and Trims: Default Style

Qty	Code	Description	Dims
1	CONPLINTHR	Replacement End Matched Continuous Plinth w/Plinth Seal	2600
1	RUNITPROTECT	Kitchen Protective Material	



Client:	BLOOR HOMES	Drawing No:	721348__
Site:	2018 CLASSICS	Revision No:	
House Type:	CLASSIC 571 RALEIGH ISSUE 4.1 - EXC UTILITY	Scale:	Scale-to-fit
House Type 2:	EXCLUSIVE		



THIS DRAWING AND THE COPYRIGHT THEREIN IS THE PROPERTY OF THE SYMPHONY GROUP PLC. THIS DRAWING IS ISSUED ON THE CONDITION THAT IT MUST NOT BE USED, COPIED OR EXHIBITED WITHOUT THE WRITTEN PERMISSION OF THE SYMPHONY GROUP PLC. ANY COMPONENTS OR ARTICLES MADE IN ACCORDANCE WITH THIS DRAWING MUST NOT BE USED FOR ANY OTHER PURPOSE THAN FOR WHICH THE DRAWING IS ISSUED.

THIS PLAN IS OFFERED AS A GUIDE ONLY FOR APPROVAL BY OUR CUSTOMER. NO RESPONSIBILITY IS UNDERTAKEN FOR ITS ACCURACY IN RELATION TO ORDERS PLACED FOR THE FITTING OF OUR GOODS WITHIN THE DIMENSIONS SHOWN.

**SCHEDULE &  
CUBIC CAPACITY**



Client Name:	BLOOR HOMES	Site Name:	2018 CLASSICS LEVEL 2 ISSUE 4
House Type:	CLASSIC 571 RALEIGH ISSUE 4.1 - EXC UTILITY EXCLUSIVE		
Drawing No:	721348__	Revision No:	
Date Drawn:	Fri, Sep 25, 2020	Revision Date:	
Designed By:	CARA NORTCLIFF	Quote No:	

Items on Plan:

Plan No.	Qty	Code	Hdg	Description	Dims	CC (M3)
1	1	BBBP992R		Replacement End Matched Breakfast Bar Back Panel	900/920	
2	1	BU66F	L	Base Unit FH	600/600/870	0.20
3	1	BU66F	L	Base Unit FH	600/600/870	0.20
4	1	CB126FFP	R	Corner Base FH (600 Door) (Flexi C/Post)	1200/600/870	0.41
5	1	SU96SLFGR		Sink Unit FH w/Sink Liner (RH End)	900/600/870	0.29
6	1	BBU6592R		Replacement End Matched Base Blender	650/920	
7	1	CB96FAFP	L	Corner Base FH (450 Door) (Flexi C/Post)	900/600/870	0.29
8	1	BU56F	L	Base Unit FH	500/600/870	0.16
9	1	BU66F3IDC	L	Base Unit FH w/1x Shallow Int. Drw & 2x Deep Int. Drw	600/600/870	0.20
10	1	BU56F	R	Base Unit FH	500/600/870	0.16
11	1	OH663AG2	R	Dbl Oven Hsg. (3A) (2 Ends)	600/600/2100	0.28
12	1	BU63F	L	Reduced Depth Base Unit FH	600/300/870	0.10
13	1	BU63F	L	Reduced Depth Base Unit FH	600/300/870	0.10
14	1	BU63F	R	Reduced Depth Base Unit FH	600/300/870	0.10
15	1	WU672	L	Wall Unit	600/300/724	0.10
16	1	WU4572	L	Wall Unit	450/300/724	0.08
17	1	WU472GR	L	Wall Unit (RH End)	400/300/724	0.07
18	1	WU472GL	R	Wall Unit (LH End)	400/300/724	0.07
	1	HOBSHIELD6		Hobshield	600	
	1	BWU390R		Replacement End Matched Wall Blender (For Filler)	307/970	
	1	BWU390R		Replacement End Matched Wall Blender (For Filler)	307/970	

**Total cubic metres of storage**

**2.81**

Worktop Details:

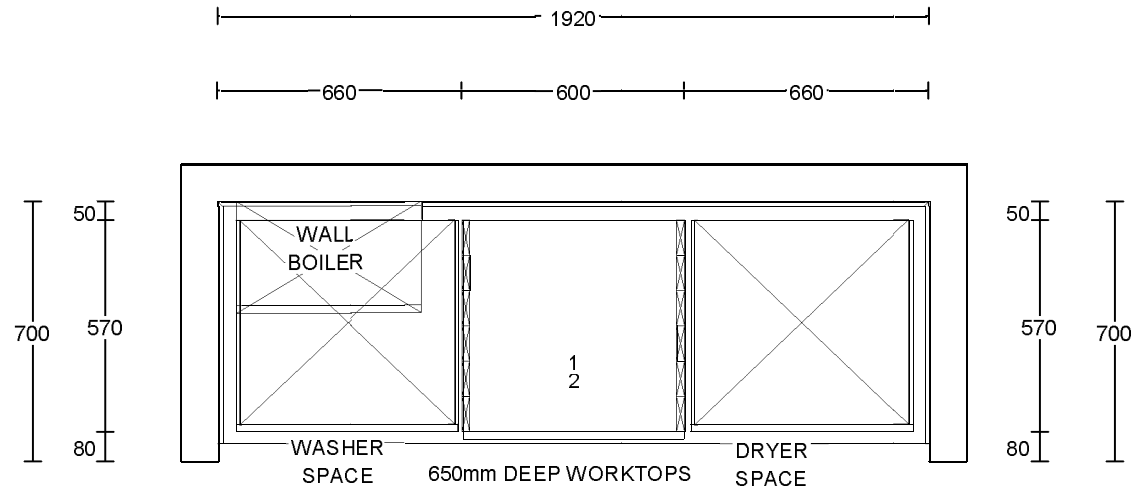
Plan No.	Qty	Code	Description	Dims
----------	-----	------	-------------	------

19	1	DPWT	40mm Double PVC Edged / 40mm Premium / 30mm Hi Def Worktop	2600/900
20	1	PWT	40mm PVC Edged / 40mm Premium / 30mm Hi Def Worktop	2300/600
21	1	PWT	40mm PVC Edged / 40mm Premium Worktop	2200/600
	1	PFUP3095	Laminate Upstand	3000/95
	1	PFUP3095	Laminate Upstand	3000/95
	1	PFUP3095	Laminate Upstand	3000/95

Accessories and Trims:

Default Style

Qty	Code	Description	Dims
4	CONPLINTHR	Replacement End Matched Continuous Plinth w/Plinth Seal	2600
1	CTRAYVFH6	Standard Internal Cutlery Tray (For BU66F3ID/BU66F4ID)	600
1	GLSPASH675	Glass Splashback	600/750
2	RUNITPROTECT	Kitchen Protective Material	
2	TOPSEALBOLT	Topseal Easibolt Pack	
1	VENTGRIDGR	Aeration Grid Grey	510/45/15



PLEASE CHECK &  
CONFIRM DIMENSIONS  
& LAYOUT ON SITE  
BEFORE ORDERING  
CABINETS

Client:	BLOOR HOMES	Drawing No:	721348UA
Site:	2018 CLASSICS	Revision No:	A
House Type:	CLASSIC 571 RALEIGH ISSUE 4.1 - UTILITY	Scale:	Scale-to-fit
House Type 2:	EXCLUSIVE		

Symphony®

**SCHEDULE &  
CUBIC CAPACITY**



Client Name:	BLOOR HOMES	Site Name:	2018 CLASSICS LEVEL2 ISSUE 4
House Type:	CLASSIC 571 RALEIGH ISSUE 4.1 - UTILITY EXCLUSIVE		
Drawing No:	721348UA	Revision No:	A
Date Drawn:	Fri, Sep 25, 2020	Revision Date:	24.9.20
Designed By:	CARA NORTCLIFF	Quote No:	

Items on Plan: Default Style

Plan No.	Qty	Code	Hdg	Description	Dims	CC (M3)
1	1	BU66FG2	L	Base Unit FH (2 Ends)	600/600/870	0.20
<b>Total cubic metres of storage</b>						<b>0.20</b>

Worktop Details: Default Style

Plan No.	Qty	Code	Description	Dims
2	1	PWT	40mm PVC Edged / 40mm Premium / 30mm Hi Def Worktop	2000/650
	1	PFUP3095	Laminate Upstand	3050/95
	1	PFUP3095	Laminate Upstand	3000/95

Accessories and Trims: Default Style

Qty	Code	Description	Dims
1	CONPLINTHR	Replacement End Matched Continuous Plinth w/Plinth Seal	2600
1	RUNITPROTECT	Kitchen Protective Material	