

Client:	BLOOR HOMES	Drawing No:	720668__
Site:	CLASSICS RANGE	Revision No:	
House Type:	CLASSIC 470 HALLAM - EXC UTILITY	Scale:	Scale-to-fit
House Type 2:	STANDARD		



THIS DRAWING AND THE COPYRIGHT THEREIN IS THE PROPERTY OF THE SYMPHONY GROUP PLC. THIS DRAWING IS ISSUED ON THE CONDITION THAT IT MUST NOT BE USED, COPIED OR EXHIBITED WITHOUT THE WRITTEN PERMISSION OF THE SYMPHONY GROUP PLC. ANY COMPONENTS OR ARTICLES MADE IN ACCORDANCE WITH THIS DRAWING MUST NOT BE USED FOR ANY OTHER PURPOSE THAN FOR WHICH THE DRAWING IS ISSUED.

THIS PLAN IS OFFERED AS A GUIDE ONLY FOR APPROVAL BY OUR CUSTOMER. NO RESPONSIBILITY IS UNDERTAKEN FOR ITS ACCURACY IN RELATION TO ORDERS PLACED FOR THE FITTING OF OUR GOODS WITHIN THE DIMENSIONS SHOWN.

**SCHEDULE &  
CUBIC CAPACITY**



Client Name:	BLOOR HOMES	Site Name:	CLASSICS RANGE 2018 - LEVEL 2 ISSUE 4
House Type:	CLASSIC 470 HALLAM - EXC UTILITY STANDARD		
Drawing No:	720668__	Revision No:	
Date Drawn:	Fri, Jan 7, 2022	Revision Date:	
Designed By:	VANESSA GRANT	Quote No:	

Items on Plan:

Default Style

Plan No.	Qty	Code	Hdg	Description	Dims	CC (M3)
1	1	OH663A	L	Dbl Oven Hsg. (3A)	600/600/2100	0.28
2	1	BU456F	L	Base Unit FH	450/600/870	0.14
3	1	BU66F3IDC	L	Base Unit FH w/1x Shallow Int. Drw & 2x Deep Int. Drw	600/600/870	0.20
4	1	BU96F		Base Unit FH	900/600/870	0.29
5	1	CB126FBO	L	Corner Base FH, No C/Post (600 Door)	1200/600/870	0.41
6	1	SU66SLF	L	Sink Unit FH w/Sink Liner	600/600/870	0.20
7	1	BU66F	R	Base Unit FH	600/600/870	0.20
8	1	BBU6592C		Carcase Matched Base Blender	650/920	
9	1	WU372	L	Wall Unit	300/300/724	0.05
10	1	WU872		Wall Unit	800/300/724	0.14
11	1	CWU672FP	R	Corner Wall (300 Door) (Flexi C/Post)	600/300/724	0.10
12	1	WU372	L	Wall Unit	300/300/724	0.05
13	1	WU672	L	Wall Unit	600/300/724	0.10
14	1	WU672	L	Wall Unit	600/300/724	0.10
15	1	WU672	R	Wall Unit	600/300/724	0.10
16	1	WU672	R	Wall Unit	600/300/724	0.10
	1	HOBSHIELD6		Hobshield	600	
	1	CONPLINTHC		Carcase Matched Continuous Plinth (For Tall Filler)	2600	
	1	FRONTPNL72		Frontal Matched Filler Panel (For C/Post)	720	

**Total cubic metres of storage**

**2.46**

Worktop Details:

Default Style

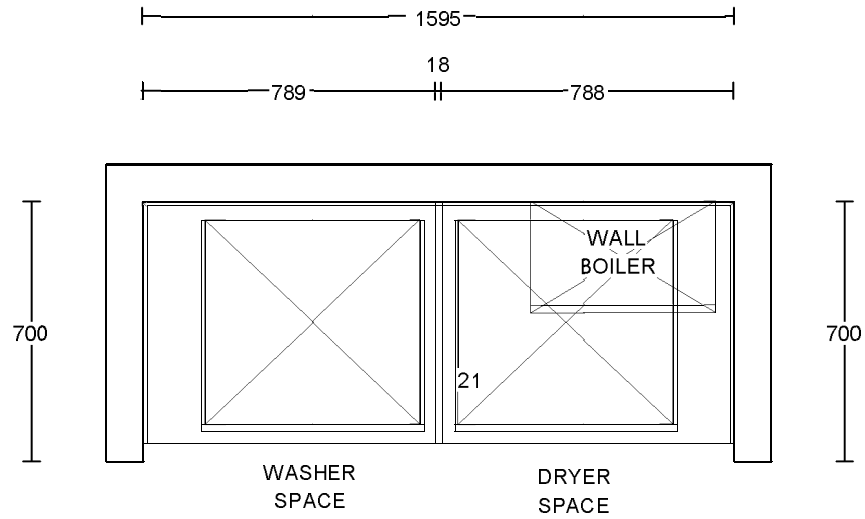
Plan No.	Qty	Code	Description	Dims
17	1	PWT	40mm PVC Edged / 40mm Premium / 30mm Hi Def Worktop	2200/600

18	1	PWT	40mm PVC Edged / 40mm Premium / 30mm Hi Def Worktop	3200/600
	1	PFUP3095	Laminate Upstand	3050/95
	1	PFUP3095	Laminate Upstand	3050/95
	1	PFUP3095	Laminate Upstand	3050/95

Accessories and Trims:

Default Style

Qty	Code	Description	Dims
2	BRKPLINTH	Plinth Corner Bracket (Pack of 2)	
3	CONPLINTHC	Carcase Matched Continuous Plinth w/Plinth Seal	2600
1	CTRAYVFH6	Standard Internal Cutlery Tray (For BU66F3ID/BU66F4ID)	600
2	RUNITPROTECT	Kitchen Protective Material	
1	SBACK675	Stainless Steel Splashback	600/750
1	TOPSEALBOLT	Topseal Easibolt Pack	
1	VENTGRILL200	Ventilation Grill - Flowrate	200cm2



650mm DEEP WORKTOPS

PLEASE CHECK &  
CONFIRM DIMENSIONS  
& LAYOUT ON SITE  
BEFORE ORDERING  
CABINETS

Client:	BLOOR HOMES	Drawing No:	720668UA
Site:	CLASSICS RANGE	Revision No:	A
House Type:	CLASSIC 470 HALLAM - UTILITY	Scale:	Scale-to-fit
House Type 2:	STANDARD		

**Symphony**<sup>®</sup>

**SCHEDULE &  
CUBIC CAPACITY**

**Symphony**<sup>®</sup>

Client Name:	BLOOR HOMES	Site Name:	CLASSICS RANGE 2018 - LEVEL 2 ISSUE 4
House Type:	CLASSIC 470 HALLAM - UTILITY STANDARD		
Drawing No:	720668UA	Revision No:	A
Date Drawn:	Thu, Mar 19, 2020	Revision Date:	12.3.20
Designed By:	CARA NORTCLIFF	Quote No:	

Items on Plan: Default Style

Plan No.	Qty	Code	Hdg	Description	Dims	CC (M3)
1	1	BBU6592C		Carcase Matched Base Blender	650/920	

**Total cubic metres of storage**

Worktop Details: Default Style

Plan No.	Qty	Code	Description	Dims
2	1	PWT	40mm PVC Edged / 40mm Premium / 30mm Hi Def Worktop	1700/650
	1	PFUP3095	Laminate Upstand	3000/95

Accessories and Trims: Default Style

Qty	Code	Description	Dims
1	RUNITPROTECT	Kitchen Protective Material	