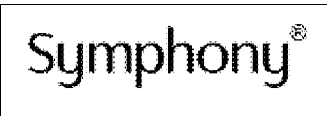


Client:	BLOOR HOMES	Drawing No:	720710_C
Site:	CLASSICS RANGE	Revision No:	C
House Type:	CLASSIC 481 HARWOOD - EXC UTILITY	Scale:	Scale-to-fit
House Type 2:	STANDARD		



THIS DRAWING AND THE COPYRIGHT THEREIN IS THE PROPERTY OF THE SYMPHONY GROUP PLC. THIS DRAWING IS ISSUED ON THE CONDITION THAT IT MUST NOT BE USED, COPIED OR EXHIBITED WITHOUT THE WRITTEN PERMISSION OF THE SYMPHONY GROUP PLC. ANY COMPONENTS OR ARTICLES MADE IN ACCORDANCE WITH THIS DRAWING MUST NOT BE USED FOR ANY OTHER PURPOSE THAN FOR WHICH THE DRAWING IS ISSUED.

THIS PLAN IS OFFERED AS A GUIDE ONLY FOR APPROVAL BY OUR CUSTOMER. NO RESPONSIBILITY IS UNDERTAKEN FOR ITS ACCURACY IN RELATION TO ORDERS PLACED FOR THE FITTING OF OUR GOODS WITHIN THE DIMENSIONS SHOWN.

**SCHEDULE &  
CUBIC CAPACITY**



Client Name:	BLOOR HOMES	Site Name:	CLASSICS RANGE 2018 - LEVEL 2 ISSUE 4
House Type:	CLASSIC 481 HARWOOD - EXC UTILITY STANDARD		
Drawing No:	720710_C	Revision No:	C
Date Drawn:	Mon, Jul 26, 2021	Revision Date:	23.7.21
Designed By:	CARA NORTCLIFF	Quote No:	

Items on Plan:

Default Style

Plan No.	Qty	Code	Hdg	Description	Dims	CC (M3)
1	1	BBU6592C		Carcase Matched Base Blender	650/920	
2	1	BU56F	L	Base Unit FH	500/600/870	0.16
3	1	BU66F3IDC	R	Base Unit FH w/1x Shallow Int. Drw & 2x Deep Int. Drw	600/600/870	0.20
4	1	BU56F	R	Base Unit FH	500/600/870	0.16
5	1	OH663A	R	Dbl Oven Hsg. (3A)	600/600/2100	0.28
6	1	BLU7523C		Carcase Matched Tall Blender	750/2400	
7	1	LU66	L	Larder Unit (70/30 Split)	600/600/2100	0.52
8	1	BU66F	L	Base Unit FH	600/600/870	0.20
9	1	SU66SLF	L	Sink Unit FH w/Sink Liner	600/600/870	0.20
10	1	BU66F	R	Base Unit FH	600/600/870	0.20
11	1	BU456F	L	Base Unit FH	450/600/870	0.14
12	1	BU66F	R	Base Unit FH	600/600/870	0.20
13	1	BU456F	R	Base Unit FH	450/600/870	0.14
14	1	BBBP992C		Carcase Matched Breakfast Bar Back Panel	900/920	
15	1	BU453F	L	Reduced Depth Base Unit FH	450/300/870	0.07
16	1	BU63F	L	Reduced Depth Base Unit FH	600/300/870	0.10
17	1	BU453F	R	Reduced Depth Base Unit FH	450/300/870	0.07
18	1	BBBP992C		Carcase Matched Breakfast Bar Back Panel	900/920	
19	1	WU472	L	Wall Unit	400/300/724	0.07
20	1	WU472	R	Wall Unit	400/300/724	0.07
21	1	WU672	L	Wall Unit	600/300/724	0.10
22	1	WU672	R	Wall Unit	600/300/724	0.10
23	1	WU672	L	Wall Unit	600/300/724	0.10
24	1	WU672	R	Wall Unit	600/300/724	0.10
	1	HOBSHIELD6		Hobshield	600	
	1	BWU390C		Carcase Matched Wall Blender (For Filler)	307/920	
	1	CONPLINTHC		Carcase Matched Continuous Plinth (For Tall Filler)	2600	

## Worktop Details:

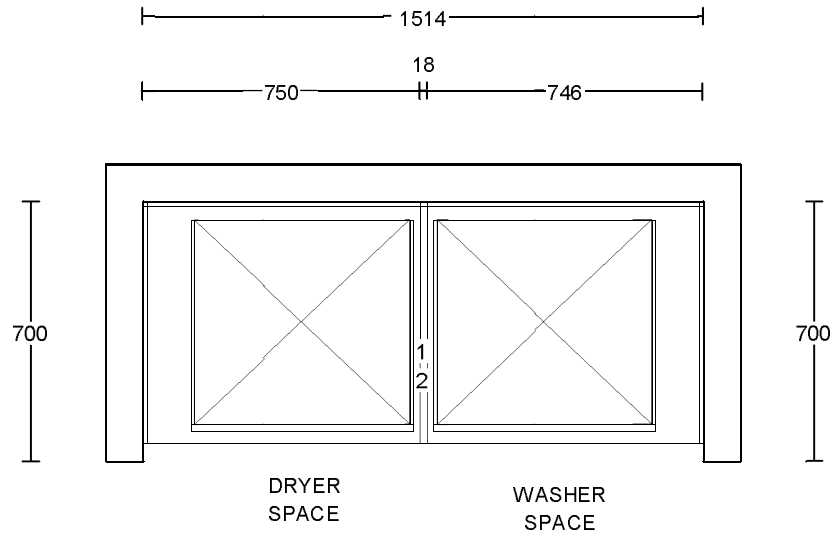
Default Style

Plan No.	Qty	Code	Description	Dims
25	1	PWT	40mm PVC Edged / 40mm Premium / 30mm Hi Def Worktop	1628/600
26	1	PWT	40mm PVC Edged / 40mm Premium / 30mm Hi Def Worktop	2500/600
27	1	DPWT	40mm Double PVC Edged / 40mm Premium / 30mm Hi Def Worktop	1556/900
	1	PFUP3095	Laminate Upstand	3050/95
	1	PFUP3095	Laminate Upstand	3050/95

## Accessories and Trims:

Default Style

Qty	Code	Description	Dims
1	BRKPLINTH	Plinth Corner Bracket (Pack of 2)	
4	CONPLINTHC	Carcass Matched Continuous Plinth w/Plinth Seal	2600
1	CTRAYVFH6	Standard Internal Cutlery Tray (For BU66F3ID/BU66F4ID)	600
2	FITFACTOR	FITFACTOR	
2	RUNITPROTECT	Kitchen Protective Material	
1	SBACK675	Stainless Steel Splashback	600/750
1	VENTGRILL200	Ventilation Grill - Flowrate	200cm2



650mm DEEP WORKTOPS

PLEASE CHECK &  
 CONFIRM DIMENSIONS  
 & LAYOUT ON SITE  
 BEFORE ORDERING  
 CABINETS

Client:	BLOOR HOMES	Drawing No:	720710U_
Site:	CLASSICS RANGE	Revision No:	
House Type:	CLASSIC 481 HARWOOD - UTILITY	Scale:	Scale-to-fit
House Type 2:	STANDARD		

**Symphony**<sup>®</sup>

**SCHEDULE &  
CUBIC CAPACITY**



Client Name:	BLOOR HOMES	Site Name:	CLASSICS RANGE 2018 - LEVEL 2 ISSUE 4
House Type:	CLASSIC 481 HARWOOD - UTILITY STANDARD		
Drawing No:	720710U_	Revision No:	
Date Drawn:	Mon, Jul 26, 2021	Revision Date:	
Designed By:	VANESSA GRANT	Quote No:	

Items on Plan: Default Style

Plan No.	Qty	Code	Hdg	Description	Dims	CC (M3)
1	1	BBU6592C		Carcase Matched Base Blender	650/920	

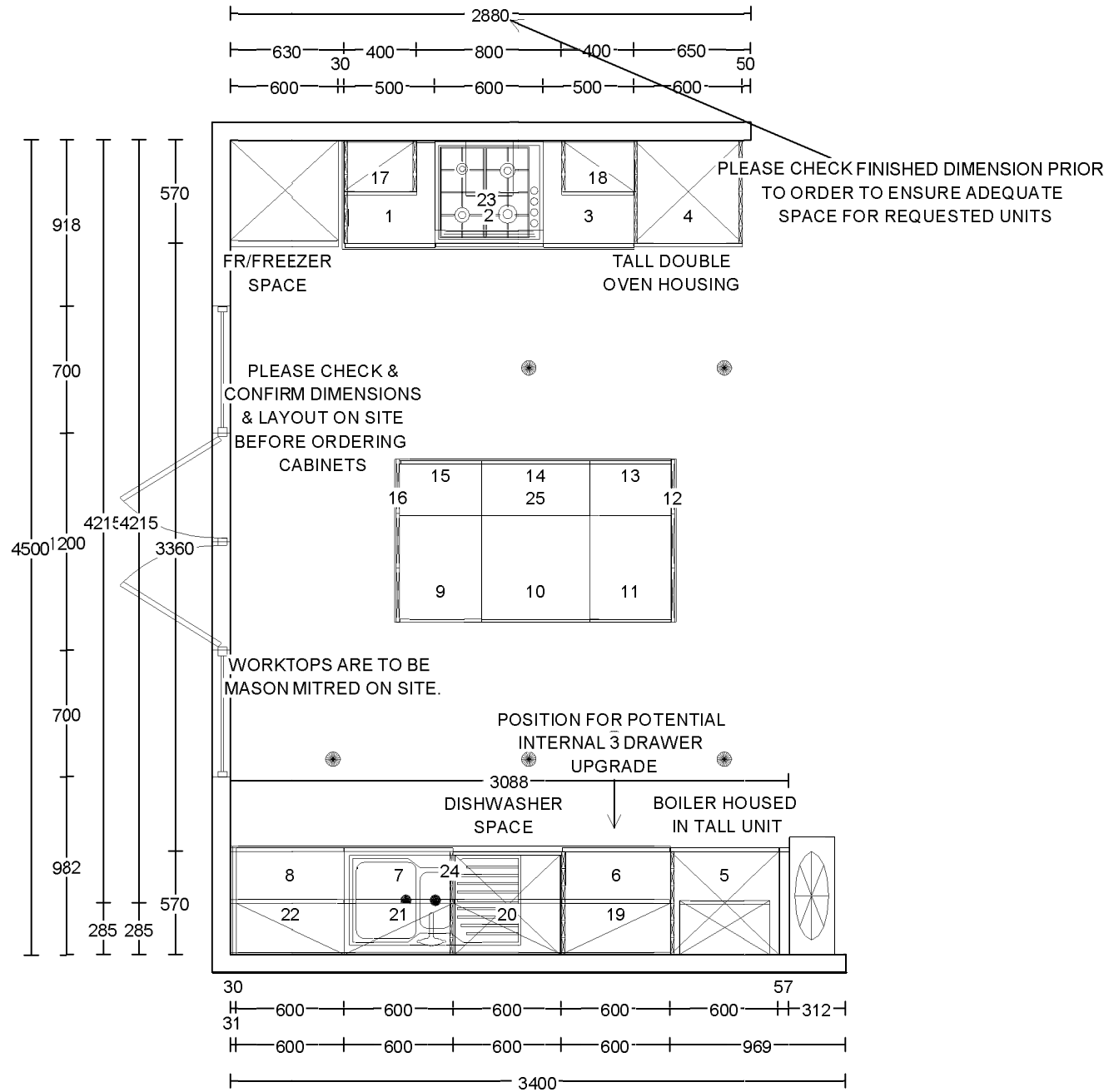
**Total cubic metres of storage**

Worktop Details: Default Style

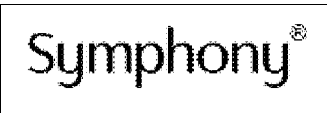
Plan No.	Qty	Code	Description	Dims
2	1	PWT	40mm PVC Edged / 40mm Premium / 30mm Hi Def Worktop	1600/650
	1	PFUP3095	Laminate Upstand	3050/95

Accessories and Trims: Default Style

Qty	Code	Description	Dims
1	RUNITPROTECT	Kitchen Protective Material	



Client:	BLOOR HOMES	Drawing No:	720711_C
Site:	CLASSICS RANGE	Revision No:	C
House Type:	CLASSIC 481 HARWOOD - EXC UTILITY	Scale:	Scale-to-fit
House Type 2:	UPGRADE		



THIS DRAWING AND THE COPYRIGHT THEREIN IS THE PROPERTY OF THE SYMPHONY GROUP PLC. THIS DRAWING IS ISSUED ON THE CONDITION THAT IT MUST NOT BE USED, COPIED OR EXHIBITED WITHOUT THE WRITTEN PERMISSION OF THE SYMPHONY GROUP PLC. ANY COMPONENTS OR ARTICLES MADE IN ACCORDANCE WITH THIS DRAWING MUST NOT BE USED FOR ANY OTHER PURPOSE THAN FOR WHICH THE DRAWING IS ISSUED.

THIS PLAN IS OFFERED AS A GUIDE ONLY FOR APPROVAL BY OUR CUSTOMER. NO RESPONSIBILITY IS UNDERTAKEN FOR ITS ACCURACY IN RELATION TO ORDERS PLACED FOR THE FITTING OF OUR GOODS WITHIN THE DIMENSIONS SHOWN.

**SCHEDULE &  
CUBIC CAPACITY**



Client Name:	BLOOR HOMES	Site Name:	CLASSICS RANGE 2018 - LEVEL 2 ISSUE 4
House Type:	CLASSIC 481 HARWOOD - EXC UTILITY UPGRADE		
Drawing No:	720711_C	Revision No:	C
Date Drawn:	Mon, Jul 26, 2021	Revision Date:	23.7.21
Designed By:	CARA NORTCLIFF	Quote No:	

Items on Plan:

Default Style

Plan No.	Qty	Code	Hdg	Description	Dims	CC (M3)
1	1	BU56FGL	L	Base Unit FH (LH End)	500/600/870	0.16
2	1	BU66F3IDC	R	Base Unit FH w/1x Shallow Int. Drw & 2x Deep Int. Drw	600/600/870	0.20
3	1	BU56F	R	Base Unit FH	500/600/870	0.16
4	1	OH663AG2	R	Dbl Oven Hsg. (3A) (2 Ends)	600/600/2100	0.28
5	1	LU66GR	L	Larder Unit (70/30 Split) (RH End)	600/600/2100	0.52
6	1	BU66FGR	L	Base Unit FH (RH End)	600/600/870	0.20
7	1	SU66SLFGL	L	Sink Unit FH w/Sink Liner (LH End)	600/600/870	0.20
8	1	BU66F	R	Base Unit FH	600/600/870	0.20
9	1	BU456F	L	Base Unit FH	450/600/870	0.14
10	1	BU66F	R	Base Unit FH	600/600/870	0.20
11	1	BU456F	R	Base Unit FH	450/600/870	0.14
12	1	BBBP992R		Replacement End Matched Breakfast Bar Back Panel	900/920	
13	1	BU453F	L	Reduced Depth Base Unit FH	450/300/870	0.07
14	1	BU63F	L	Reduced Depth Base Unit FH	600/300/870	0.10
15	1	BU453F	R	Reduced Depth Base Unit FH	450/300/870	0.07
16	1	BBBP992R		Replacement End Matched Breakfast Bar Back Panel	900/920	
17	1	WU472G2	L	Wall Unit (2 Ends)	400/300/724	0.07
18	1	WU472GL	R	Wall Unit (LH End)	400/300/724	0.07
19	1	WU672	L	Wall Unit	600/300/724	0.10
20	1	WU672	R	Wall Unit	600/300/724	0.10
21	1	WU672	L	Wall Unit	600/300/724	0.10
22	1	WU672	R	Wall Unit	600/300/724	0.10
	1	HOBSHIELD6		Hobshield	600	
	1	CONPLINTHR		Replacement End Matched Continuous Plinth (For Tall Filler)	2600	
	1	BWU390R		Replacement End Matched Wall Blender (For Filler)	307/970	
	1	BWU390R		Replacement End Matched Wall Blender (For Filler)	307/970	

## Worktop Details:

## Default Style

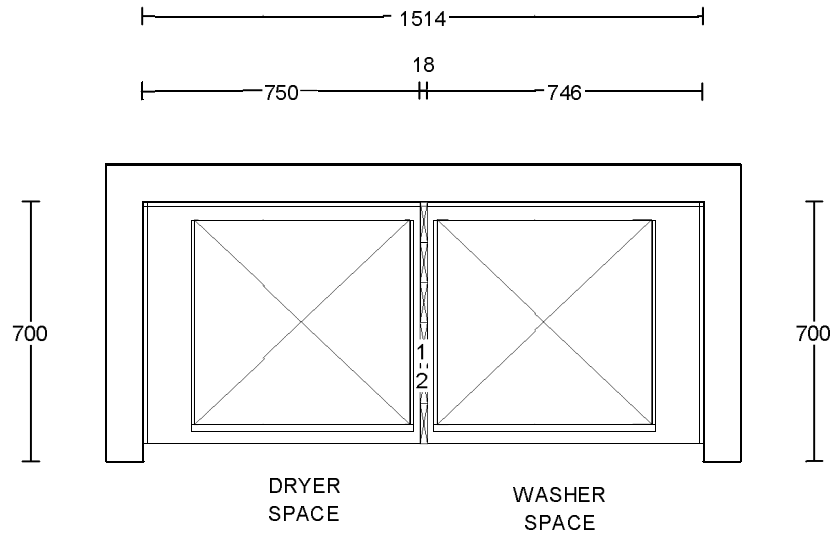
Plan No.	Qty	Code	Description	Dims
23	1	PWT	40mm PVC Edged / 40mm Premium / 30mm Hi Def Worktop	1610/600
24	1	PWT	40mm PVC Edged / 40mm Premium / 30mm Hi Def Worktop	2500/600
25	1	DPWT	40mm Double PVC Edged / 40mm Premium / 30mm Hi Def Worktop	1556/900
	1	PFUP3095	Laminate Upstand	3050/95
	1	PFUP3095	Laminate Upstand	3050/95

## Accessories and Trims:

## Default Style

Qty	Code	Description	Dims
4	CONPLINTHR	Replacement End Matched Continuous Plinth w/Plinth Seal	2600
1	CTRAYVFH6	Standard Internal Cutlery Tray (For BU66F3ID/BU66F4ID)	600
2	FITFACTOR	FITFACTOR	
2	RUNITPROTECT	Kitchen Protective Material	
1	SBACK675	Stainless Steel Splashback	600/750
1	VENTGRIDGR	Aeration Grid Grey	510/45/15





650mm DEEP WORKTOPS

PLEASE CHECK &  
CONFIRM DIMENSIONS  
& LAYOUT ON SITE  
BEFORE ORDERING  
CABINETS

Client:	BLOOR HOMES	Drawing No:	720711U_
Site:	CLASSICS RANGE	Revision No:	
House Type:	CLASSIC 481 HARWOOD - UTILITY	Scale:	Scale-to-fit
House Type 2:	UPGRADE		

**Symphony**®

**SCHEDULE &  
CUBIC CAPACITY**



Client Name:	BLOOR HOMES	Site Name:	CLASSICS RANGE 2018 - LEVEL 2 ISSUE 4
House Type:	CLASSIC 481 HARWOOD - UTILITY UPGRADE		
Drawing No:	720711U_	Revision No:	
Date Drawn:	Mon, Jul 26, 2021	Revision Date:	
Designed By:	VANESSA GRANT	Quote No:	

Items on Plan: Default Style

Plan No.	Qty	Code	Hdg	Description	Dims	CC (M3)
1	1	BBU6592R		Replacement End Matched Base Blender	650/920	

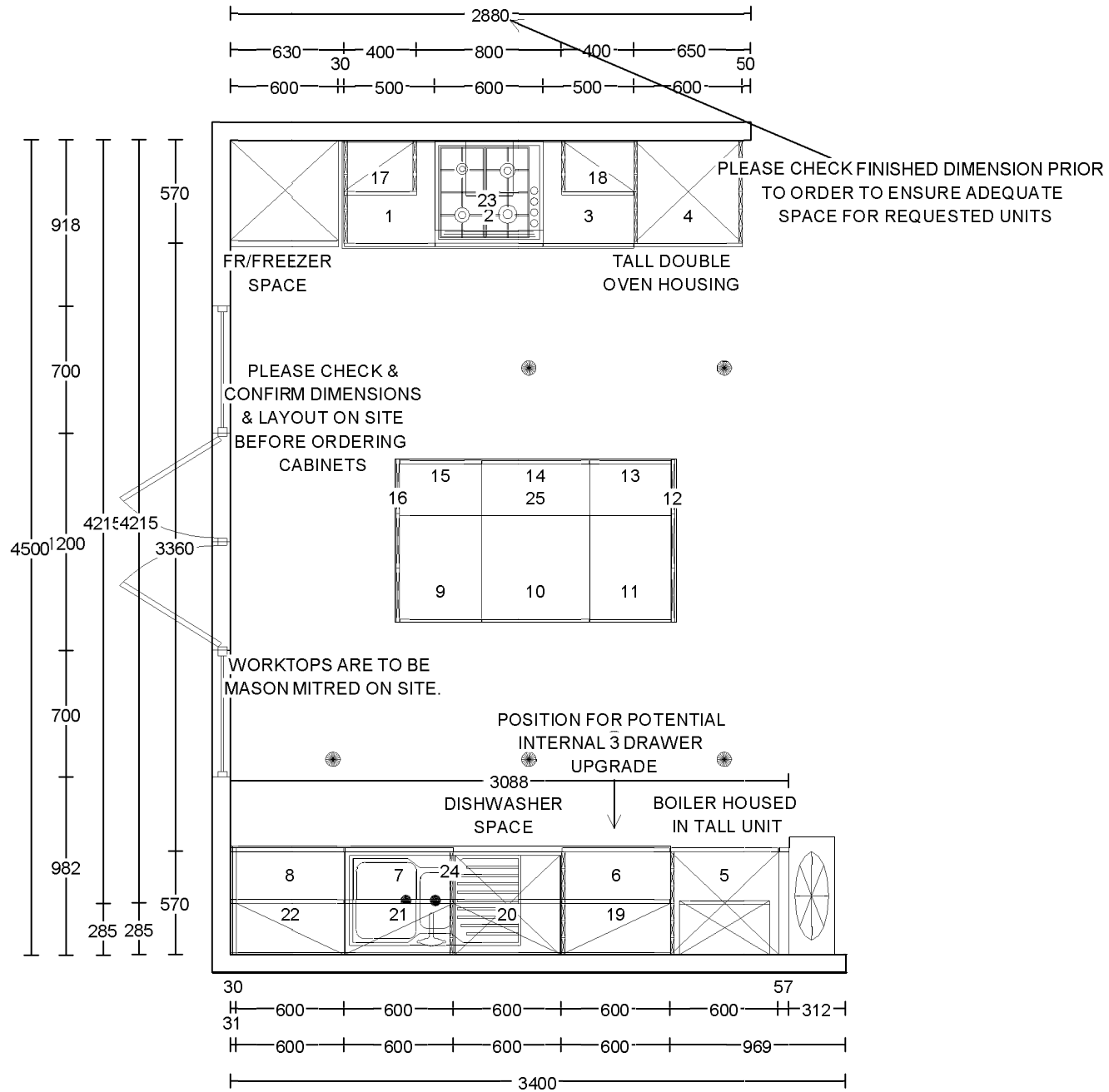
**Total cubic metres of storage**

Worktop Details: Default Style

Plan No.	Qty	Code	Description	Dims
2	1	PWT	40mm PVC Edged / 40mm Premium / 30mm Hi Def Worktop	1600/650
	1	PFUP3095	Laminate Upstand	3050/95

Accessories and Trims: Default Style

Qty	Code	Description	Dims
1	RUNITPROTECT	Kitchen Protective Material	



Client:	BLOOR HOMES	Drawing No:	720712_C
Site:	CLASSICS RANGE	Revision No:	C
House Type:	CLASSIC 481 HARWOOD - EXC UTILITY	Scale:	Scale-to-fit
House Type 2:	EXCLUSIVE		

**Symphony**®

**SCHEDULE &  
CUBIC CAPACITY**



Client Name:	BLOOR HOMES	Site Name:	CLASSICS RANGE 2018 - LEVEL 2 ISSUE 4
House Type:	CLASSIC 481 HARWOOD - EXC UTILITY EXCLUSIVE		
Drawing No:	720712_C	Revision No:	C
Date Drawn:	Mon, Jul 26, 2021	Revision Date:	23.7.21
Designed By:	CARA NORTCLIFF	Quote No:	

Items on Plan:

Default Style

Plan No.	Qty	Code	Hdg	Description	Dims	CC (M3)
1	1	BU56FGL	L	Base Unit FH (LH End)	500/600/870	0.16
2	1	BU66F3IDC	R	Base Unit FH w/1x Shallow Int. Drw & 2x Deep Int. Drw	600/600/870	0.20
3	1	BU56F	R	Base Unit FH	500/600/870	0.16
4	1	OH663AG2	R	Dbl Oven Hsg. (3A) (2 Ends)	600/600/2100	0.28
5	1	LU66GR	L	Larder Unit (70/30 Split) (RH End)	600/600/2100	0.52
6	1	BU66FGR	L	Base Unit FH (RH End)	600/600/870	0.20
7	1	SU66SLFGL	L	Sink Unit FH w/Sink Liner (LH End)	600/600/870	0.20
8	1	BU66F	R	Base Unit FH	600/600/870	0.20
9	1	BU456F	L	Base Unit FH	450/600/870	0.14
10	1	BU66F	R	Base Unit FH	600/600/870	0.20
11	1	BU456F	R	Base Unit FH	450/600/870	0.14
12	1	BBBP992R		Replacement End Matched Breakfast Bar Back Panel	900/920	
13	1	BU453F	L	Reduced Depth Base Unit FH	450/300/870	0.07
14	1	BU63F	L	Reduced Depth Base Unit FH	600/300/870	0.10
15	1	BU453F	R	Reduced Depth Base Unit FH	450/300/870	0.07
16	1	BBBP992R		Replacement End Matched Breakfast Bar Back Panel	900/920	
17	1	WU472G2	L	Wall Unit (2 Ends)	400/300/724	0.07
18	1	WU472GL	R	Wall Unit (LH End)	400/300/724	0.07
19	1	WU672	L	Wall Unit	600/300/724	0.10
20	1	WU672	R	Wall Unit	600/300/724	0.10
21	1	WU672	L	Wall Unit	600/300/724	0.10
22	1	WU672	R	Wall Unit	600/300/724	0.10
	1	HOBSHIELD6		Hobshield	600	
	1	CONPLINTHR		Replacement End Matched Continuous Plinth (For Tall Filler)	2600	
	1	BWU390R		Replacement End Matched Wall Blender (For Filler)	307/970	
	1	BWU390R		Replacement End Matched Wall Blender (For Filler)	307/970	

## Worktop Details:

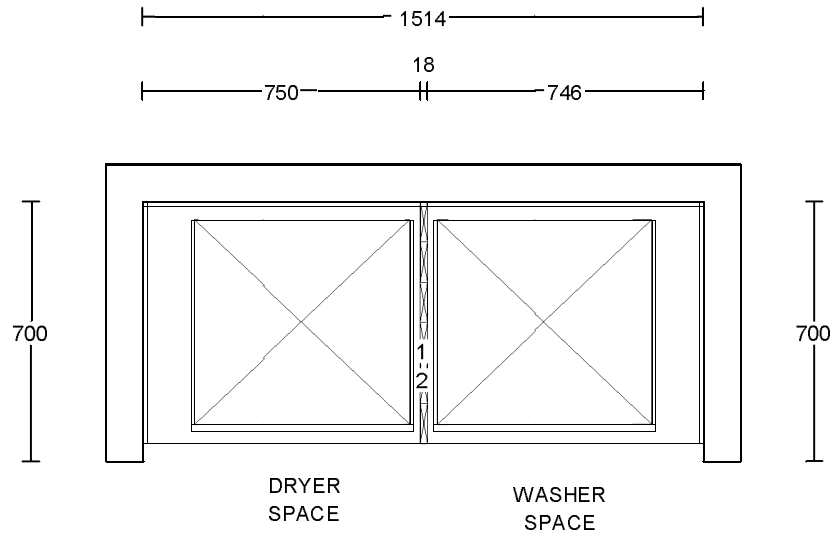
Default Style

Plan No.	Qty	Code	Description	Dims
23	1	PWT	40mm PVC Edged / 40mm Premium / 30mm Hi Def Worktop	1610/600
24	1	PWT	40mm PVC Edged / 40mm Premium / 30mm Hi Def Worktop	2500/600
25	1	DPWT	40mm Double PVC Edged / 40mm Premium / 30mm Hi Def Worktop	1556/900
	1	PFUP3095	Laminate Upstand	3050/95
	1	PFUP3095	Laminate Upstand	3050/95

## Accessories and Trims:

Default Style

Qty	Code	Description	Dims
4	CONPLINTHR	Replacement End Matched Continuous Plinth w/Plinth Seal	2600
1	CTRAYVFH6	Standard Internal Cutlery Tray (For BU66F3ID/BU66F4ID)	600
2	FITFACTOR	FITFACTOR	
1	GLSPASH675	Glass Splashback	600/750
2	RUNITPROTECT	Kitchen Protective Material	
1	VENTGRIDGR	Aeration Grid Grey	510/45/15



650mm DEEP WORKTOPS

PLEASE CHECK &  
CONFIRM DIMENSIONS  
& LAYOUT ON SITE  
BEFORE ORDERING  
CABINETS

Client:	BLOOR HOMES	Drawing No:	720712U_
Site:	CLASSICS RANGE	Revision No:	
House Type:	CLASSIC 481 HARWOOD - UTILITY	Scale:	Scale-to-fit
House Type 2:	EXCLUSIVE		

**Symphony**®

**SCHEDULE &  
CUBIC CAPACITY**



Client Name: BLOOR HOMES

Site Name: CLASSICS RANGE  
2018 - LEVEL 2 ISSUE 4

House Type: CLASSIC 481 HARWOOD - UTILITY  
EXCLUSIVE

Drawing No: 720712U\_  
Date Drawn: Mon, Jul 26, 2021  
Designed By: VANESSA GRANT

Revision No:  
Revision Date:

Quote No:

Items on Plan:

Default Style

Plan No.	Qty	Code	Hdg	Description	Dims	CC (M3)
1	1	BBU6592R		Replacement End Matched Base Blender	650/920	

**Total cubic metres of storage**

Worktop Details:

Default Style

Plan No.	Qty	Code	Description	Dims
2	1	PWT	40mm PVC Edged / 40mm Premium / 30mm Hi Def Worktop	1600/650
	1	PFUP3095	Laminate Upstand	3050/95

Accessories and Trims:

Default Style

Qty	Code	Description	Dims
1	RUNITPROTECT	Kitchen Protective Material	