

Client:	BLOOR HOMES	Drawing No:	714977_D
Site:	2017 HOUSE TYPES	Revision No:	D
House Type:	414 - STANDARD	Scale:	Scale-to-fit
House Type 2:	EXC UTILITY		

**Symphony**<sup>®</sup>

**SCHEDULE**



Client Name:	BLOOR HOMES	Site Name:	2017 HOUSE TYPES LEVEL 2
House Type:	414 - STANDARD EXC UTILITY		
Drawing No:	714977_D	Revision No:	D
Date Drawn:	Tue, Jul 30, 2019	Revision Date:	30.07.19
Designed By:	LEIGH DURHAM	Quote No:	

Items on Plan in Range: Default Style

Plan No.	Qty	Code	Hdg	Description	Dims
1	1	BU56F	L	Base Unit FH	500/600/870
2	1	BU66F	L	Base Unit FH	600/600/870
3	1	BU56F	R	Base Unit FH	500/600/870
4	1	LU66A	L	Larder Unit (Style A) (50/50 Split)	600/600/2100
5	1	BU56F	L	Base Unit FH	500/600/870
6	1	SU66SLF	L	Sink Unit F/HT w/Sink Liner	600/600/870
7	1	CB106FBFP	R	Corner Base FH (400 Door) (Flexi C/Post)	1000/600/870
8	1	BU66F	L	Base Unit FH	600/600/870
9	1	BU66F3IDC	L	Base Unit FH w/1x Shallow Int. Drw & 2x Deep Int. Drw	600/600/870
10	1	BU66F	R	Base Unit FH	600/600/870
11	1	OH663A	R	Dbl Oven Hsg. (3A)	600/600/2100
12	1	WU672	R	Wall Unit	600/300/724
13	1	CWU672FP	L	Corner Wall (300 Door) (Flexi C/Post)	600/300/724
14	1	WU672	L	Wall Unit	600/300/724
15	1	WU672	L	Wall Unit	600/300/724
16	1	WU672	R	Wall Unit	600/300/724
20	1	BU53F	L	Reduced Depth Base Unit FH	500/300/870
21	1	BU53F	R	Reduced Depth Base Unit FH	500/300/870
22	1	BU63F	L	Reduced Depth Base Unit FH	600/300/870
23	1	BLU7523C		Carcase Matched Tall Blender	750/2400
24	1	BBBP992C		Carcase Matched Breakfast Bar Back Panel	900/920
	1	BSP372P		Base/Wall Unit Spacer Panel	300/724
	1	CONPLINTH		Continuous Plinth (For Tall Filler)	2600
	1	BBU6592C		Carcase Matched Base Blender *TO BOX IN BOILER PIPES*	650/920
	1	HOBSHIELD6		Hobshield	600

Worktops on Plan in Colour: Default Style

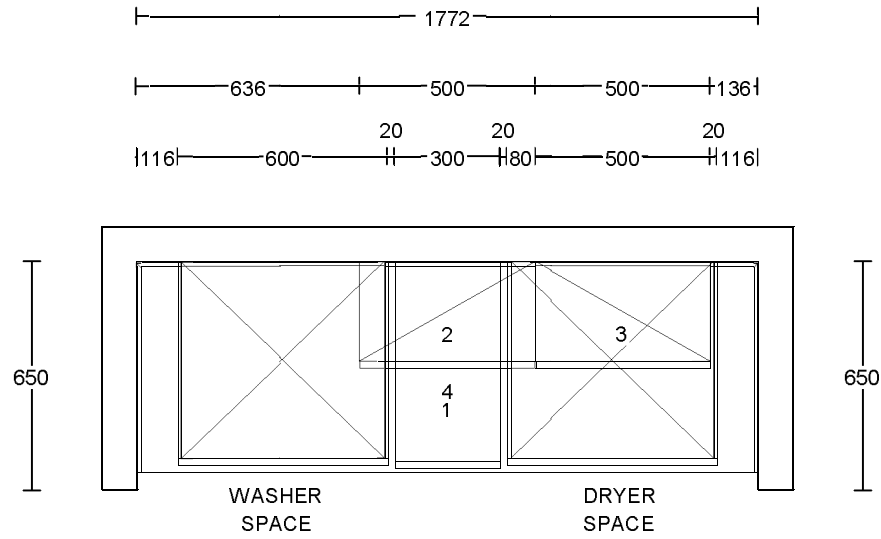
Plan No.	Qty	Code	Description	Dims
17	1	DPWT	40mm Double PVC Edged / 40mm Premium / 30mm Hi Def Worktop	1900/900

18	1	PWT	40mm PVC Edged / 40mm Premium / 30mm Hi Def Worktop	2800/600
19	1	PWT	40mm PVC Edged / 40mm Premium / 30mm Hi Def Worktop	2000/600
	1	PFUP3095	Laminate Upstand 3050/95	3050/95
	1	PFUP3095	Laminate Upstand 3050/95	3050/95
	1	PFUP3095	Laminate Upstand 3050/95	3050/95

Accessories and Trims in Range:

Default Style

Qty	Code	Description	Dims
1	BRKPLINTH	Plinth Corner Bracket (Pack of 2)	
4	CONPLINTHC	Carcase Matched Continuous Plinth w/Plinth Seal	2600
1	CTRAYVFH6	Standard Internal Cutlery Tray (For BU66F3ID/BU66F4ID)	600
1	LEG15	Plastic Leg Complete (15mm Carcase)	
2	RUNITPROTECT	Kitchen Protective Material	
1	TOPSEALBOLT	Topseal Easibolt Pack	
1	VENTGRILL200	Ventilation Grill - Flowrate	200cm2



WALL UNITS MUST BE SET  
AT MAXIMUM HEIGHT OF  
1965MM

Client:	BLOOR HOMES	Drawing No:	714977UA
Site:	2017 HOUSE TYPES	Revision No:	A
House Type:	414 - STANDARD	Scale:	Scale-to-fit
House Type 2:	UTILITY		

**Symphony**<sup>®</sup>

**SCHEDULE****Symphony**<sup>®</sup>

Client Name: BLOOR HOMES

Site Name: 2017 HOUSE TYPES  
LEVEL 2House Type: 414 - STANDARD  
UTILITY

Drawing No: 714977UA

Revision No: A

Date Drawn: Tue, Jul 30, 2019

Revision Date: 21.03.2017

Designed By: TOM WATSON

Quote No:

## Items on Plan in Range:

## Default Style

Plan No.	Qty	Code	Hdg	Description	Dims
1	1	BU36F	L	Base Unit F/HT	300/600/870
2	1	WU572	L	Wall Unit	500/300/724
3	1	WU572	R	Wall Unit	500/300/724

## Worktops on Plan in Colour:

## Default Style

Plan No.	Qty	Code	Description	Dims
4	1	PWT	40mm PVC Edged / 40mm Premium / 30mm Hi Def Worktop	1900/600
	1	PFUP3095	Laminate Upstand 3050/95	3050/95
	1	PFUP3095	Laminate Upstand 3050/95	3050/95

## Accessories and Trims in Range:

## Default Style

Qty	Code	Description	Dims
1	BRKPLINTH	Plinth Corner Bracket (Pack of 2)	
1	CONPLINTHC	Carcase Matched Continuous Plinth w/Plinth Seal	2600
1	RUNITPROTECT	Kitchen Protective Material	