

Client: BLOOR HOMES

Site: BLOOR 2022

House Type: CLASSIC 401 WOLLATON EXCL. UTILITY

House Type 2: STANDARD

Drawing No: 724140\_A

Revision No: A

Scale: Scale-to-fit

**Symphony**

THIS DRAWING AND THE COPYRIGHT THEREIN IS THE PROPERTY OF THE SYMPHONY GROUP PLC. THIS DRAWING IS ISSUED ON THE CONDITION THAT IT MUST NOT BE USED, COPIED OR EXHIBITED WITHOUT THE WRITTEN PERMISSION OF THE SYMPHONY GROUP PLC. ANY COMPONENTS OR ARTICLES MADE IN ACCORDANCE WITH THIS DRAWING MUST NOT BE USED FOR ANY OTHER PURPOSE THAN FOR WHICH THE DRAWING IS ISSUED.

THIS PLAN IS OFFERED AS A GUIDE ONLY FOR APPROVAL BY OUR CUSTOMER. NO RESPONSIBILITY IS UNDERTAKEN FOR ITS ACCURACY IN RELATION TO ORDERS PLACED FOR THE FITTING OF OUR GOODS WITHIN THE DIMENSIONS SHOWN.

**SCHEDULE &  
CUBIC CAPACITY**



Client Name:	BLOOR HOMES	Site Name:	BLOOR 2022 CLASSIC ISSUE 4
House Type:	CLASSIC 401 WOLLATON EXCL. UTILITY STANDARD		
Drawing No:	724140_A	Revision No:	A
Date Drawn:	Fri, Jul 15, 2022	Revision Date:	14.7.22
Designed By:	CARA NORTCLIFF	Quote No:	

Items on Plan:

Default Style

Plan No.	Qty	Code	Hdg	Description	Dims	CC (M3)
1	1	BU66F3IDC	L	Base Unit FH w/1x Shallow Int. Drw & 2x Deep Int. Drw	600/600/870	0.20
1.2	1	HOBSHIELD6		Hobshield	600	
2	1	OH663A	R	Dbl Oven Hsg. (3A)	600/600/2100	0.28
3	1	SU66SLF	R	Sink Unit FH w/Sink Liner	600/600/870	0.20
4	1	CB106FAFP	L	Corner Base FH (500 Door) (Flexi C/Post)	1000/600/870	0.34
5	1	BU66F	L	Base Unit FH	600/600/870	0.20
6	1	BU66F	R	Base Unit FH	600/600/870	0.20
7	1	BLU7523C		Carcase Matched Tall Blender	750/2400	
8	1	CB126FFP	R	Corner Base FH (600 Door) (Flexi C/Post)	1200/600/870	0.41
9	1	BU66F	L	Base Unit FH	600/600/870	0.20
10	1	BU63F	R	Reduced Depth Base Unit FH	600/300/870	0.10
11	1	BU63F	L	Reduced Depth Base Unit FH	600/300/870	0.10
12	1	BU63F	L	Reduced Depth Base Unit FH	600/300/870	0.10
13	1	BBBP992C		Carcase Matched Breakfast Bar Back Panel	900/920	
14	1	BBU6592C		Carcase Matched Base Blender	650/920	
15	1	WU672	L	Wall Unit	600/300/724	0.10
16	1	WU572	L	Wall Unit	500/300/724	0.08
17	1	WU572	L	Wall Unit	500/300/724	0.08
18	1	WU572	R	Wall Unit	500/300/724	0.08
	1	BWU390C		Carcase Matched Wall Blender (For Filler)	307/970	
	1	BWU390C		Carcase Matched Wall Blender (For Filler)	307/970	

**Total cubic metres of storage 2.67**

Worktop Details:

Default Style

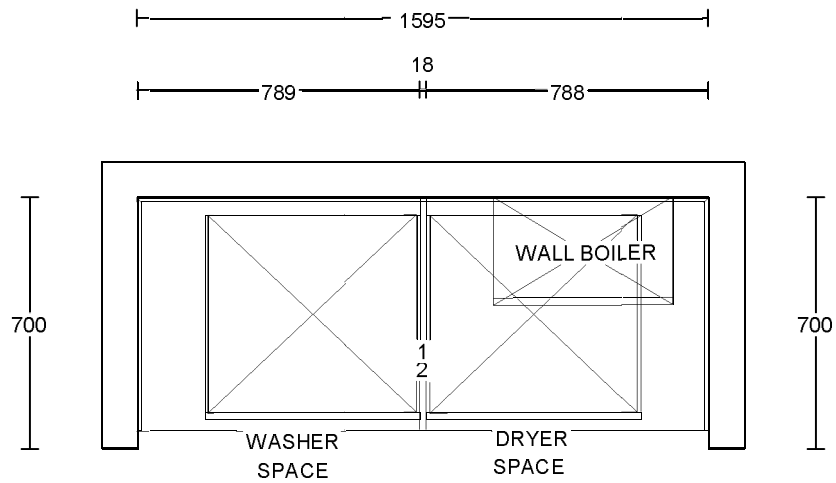
Plan No.	Qty	Code	Description	Dims

19	1	DPWT	40mm Double PVC Edged / 40mm Premium Worktop	2000/900
20	1	PWT	40mm PVC Edged / 40mm Premium Worktop	2500/600
21	1	PWT	40mm PVC Edged / 40mm Premium Worktop	2000/600
	1	PFUP3095	Laminate Upstand	3000/95
	1	PFUP3095	Laminate Upstand	3000/95

Accessories and Trims:

Default Style

<b>Qty</b>	<b>Code</b>	<b>Description</b>	<b>Dims</b>
1	BRKPLINTH	Plinth Corner Bracket (Pack of 2)	
3	CONPLINTHC	Carcase Matched Continuous Plinth w/Plinth Seal	2600
1	CTRAYVFH6	Standard Internal Cutlery Tray (For BU66F3ID/BU66F4ID)	600
2	RUNITPROTECT	Kitchen Protective Material	
1	STSBACK600	Stainless Steel Splashback 600 X	750
2	TOPSEALBOLT	Topseal Easibolt Pack	
1	VENTGRIDGR	Aeration Grid Grey	510/45/15



PLEASE CHECK &  
CONFIRM DIMENSIONS  
& LAYOUT ON SITE  
BEFORE ORDERING  
CABINETS

Client:	BLOOR HOMES	Drawing No:	724140U_	<b>Symphony</b> <sup>®</sup>
Site:	BLOOR 2022	Revision No:		
House Type:	CLASSIC 401 WOLLATON UTILITY	Scale:	Scale-to-fit	
House Type 2:	STANDARD			

THIS DRAWING AND THE COPYRIGHT THEREIN IS THE PROPERTY OF THE SYMPHONY GROUP PLC. THIS DRAWING IS ISSUED ON THE CONDITION THAT IT MUST NOT BE USED, COPIED OR EXHIBITED WITHOUT THE WRITTEN PERMISSION OF THE SYMPHONY GROUP PLC. ANY COMPONENTS OR ARTICLES MADE IN ACCORDANCE WITH THIS DRAWING MUST NOT BE USED FOR ANY OTHER PURPOSE THAN FOR WHICH THE DRAWING IS ISSUED.

THIS PLAN IS OFFERED AS A GUIDE ONLY FOR APPROVAL BY OUR CUSTOMER. NO RESPONSIBILITY IS UNDERTAKEN FOR ITS ACCURACY IN RELATION TO ORDERS PLACED FOR THE FITTING OF OUR GOODS WITHIN THE DIMENSIONS SHOWN.

**SCHEDULE &  
CUBIC CAPACITY**

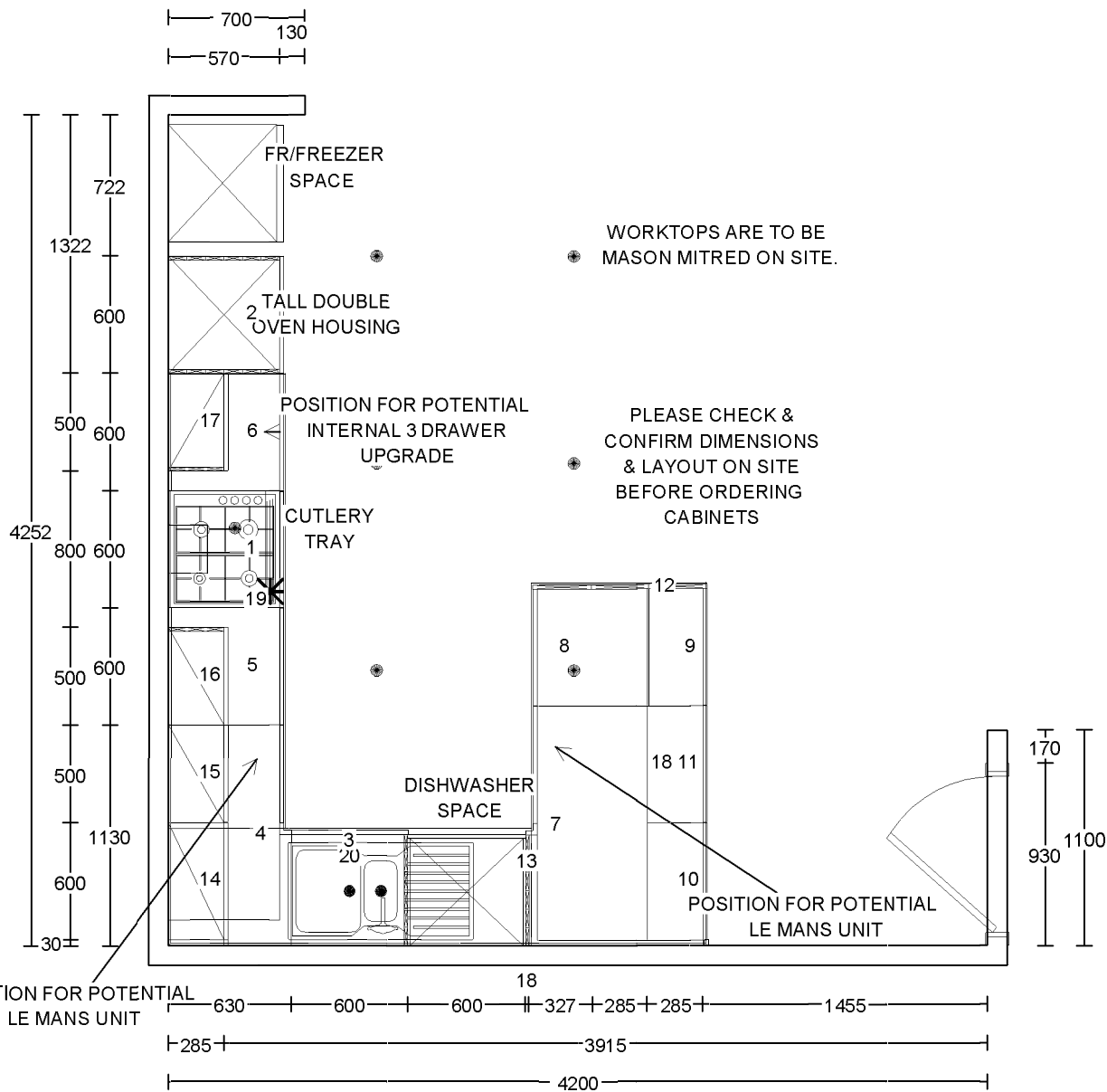
**Symphony®**

Client Name:	BLOOR HOMES	Site Name:	BLOOR 2022 CLASSIC ISSUE 4
House Type:	CLASSIC 401 WOLLATON UTILITY STANDARD		
Drawing No:	724140U_	Revision No:	
Date Drawn:	Fri, Nov 25, 2022	Revision Date:	
Designed By:	CARA NORTCLIFF	Quote No:	

Items on Plan:		Default Style				
Plan No.	Qty	Code	Hdg	Description	Dims	CC (M3)
1	1	BBU6592C		Carcase Matched Base Blender	650/920	
	1	BBU6592C		Carcase Matched Base Blender 650/920 TO BOX BOILER PIPES		
	1	BBU6592C		Carcase Matched Base Blender 650/920 TO BOX BOILER PIPES		

**Total cubic metres of  
storage**

Worktop Details:		Default Style		
Plan No.	Qty	Code	Description	Dims
2	1	PWT	40mm PVC Edged / 40mm Premium / 30mm Hi Def Worktop	1700/650
	1	PFUP3095	Laminate Upstand	3000/95



Client:	BLOOR HOMES	Drawing No:	724142_A
Site:	BLOOR 2022	Revision No:	A
House Type:	CLASSIC 401 WOLLATON EXCL. UTILITY	Scale:	Scale-to-fit
House Type 2:	UPGRADE		

<small>THIS DRAWING AND THE COPYRIGHT THEREIN IS THE PROPERTY OF THE SYMPHONY GROUP PLC. THIS DRAWING IS ISSUED ON THE CONDITION THAT IT MUST NOT BE USED, COPIED OR EXHIBITED WITHOUT THE WRITTEN PERMISSION OF THE SYMPHONY GROUP PLC. ANY COMPONENTS OR ARTICLES MADE IN ACCORDANCE WITH THIS DRAWING MUST NOT BE USED FOR ANY OTHER PURPOSE THAN FOR WHICH THE DRAWING IS ISSUED.</small>		<small>THIS PLAN IS OFFERED AS A GUIDE ONLY FOR APPROVAL BY OUR CUSTOMER. NO RESPONSIBILITY IS UNDERTAKEN FOR ITS ACCURACY IN RELATION TO ORDERS PLACED FOR THE FITTING OF OUR GOODS WITHIN THE DIMENSIONS SHOWN.</small>	
---	--	---	--



**SCHEDULE &  
CUBIC CAPACITY**



Client Name:	BLOOR HOMES	Site Name:	BLOOR 2022 CLASSIC ISSUE 4
House Type:	CLASSIC 401 WOLLATON EXCL. UTILITY UPGRADE		
Drawing No:	724142_A	Revision No:	A
Date Drawn:	Fri, Jul 15, 2022	Revision Date:	14.7.22
Designed By:	CARA NORTCLIFF	Quote No:	

Items on Plan:

Default Style

Plan No.	Qty	Code	Hdg	Description	Dims	CC (M3)
1	1	BU66F3IDC	L	Base Unit FH w/1x Shallow Int. Drw & 2x Deep Int. Drw	600/600/870	0.20
1.2	1	HOBSHIELD6		Hobshield	600	
2	1	OH663AG2	R	Dbl Oven Hsg. (3A) (2 Ends)	600/600/2100	0.28
3	1	SU66SLFGL	R	Sink Unit FH w/Sink Liner (LH End)	600/600/870	0.20
4	1	CB106FAFP	L	Corner Base FH (500 Door) (Flexi C/Post)	1000/600/870	0.34
5	1	BU66F	L	Base Unit FH	600/600/870	0.20
6	1	BU66F	R	Base Unit FH	600/600/870	0.20
7	1	CB126FFP	R	Corner Base FH (600 Door) (Flexi C/Post)	1200/600/870	0.41
8	1	BU66F	L	Base Unit FH	600/600/870	0.20
9	1	BU63F	R	Reduced Depth Base Unit FH	600/300/870	0.10
10	1	BU63F	L	Reduced Depth Base Unit FH	600/300/870	0.10
11	1	BU63F	L	Reduced Depth Base Unit FH	600/300/870	0.10
12	1	BBBP992R		Replacement End Matched Breakfast Bar Back Panel	900/920	
13	1	BBU6592R		Replacement End Matched Base Blender	650/920	
14	1	WU672	L	Wall Unit	600/300/724	0.10
15	1	WU572	L	Wall Unit	500/300/724	0.08
16	1	WU572GR	L	Wall Unit (RH End)	500/300/724	0.08
17	1	WU572GL	R	Wall Unit (LH End)	500/300/724	0.08
	1	BWU390R		Replacement End Matched Wall Blender (For Filler)	307/970	
	1	BWU390R		Replacement End Matched Wall Blender (For Filler)	352/970	

**Total cubic metres of storage 2.67**

Worktop Details:

Default Style

Plan No.	Qty	Code	Description	Dims
18	1	DPWT	40mm Double PVC Edged / 40mm Premium Worktop	2000/900

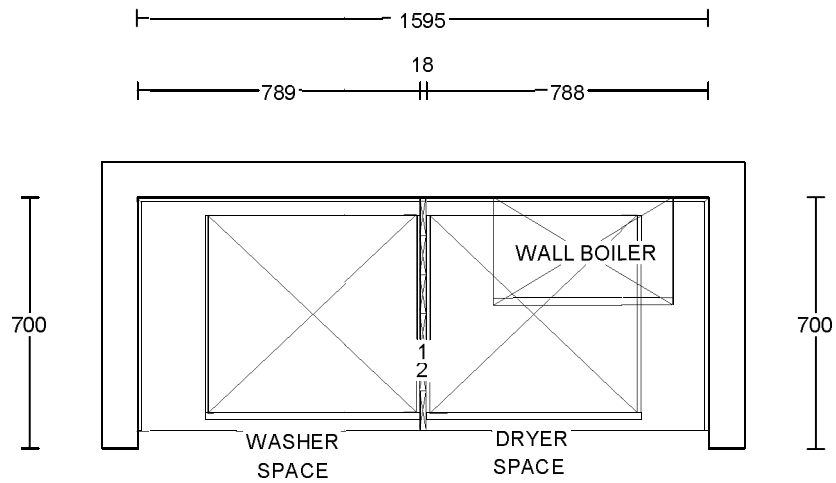
19	1	PWT	40mm PVC Edged / 40mm Premium Worktop	2500/600
20	1	PWT	40mm PVC Edged / 40mm Premium Worktop	2000/600
	1	PFUP3095	Laminate Upstand	3000/95
	1	PFUP3095	Laminate Upstand	3000/95

Accessories and Trims:

Default Style

Qty	Code	Description	Dims
3	CONPLINTHR	Replacement End Matched Continuous Plinth w/Plinth Seal	2600
1	CTRAYVFH6	Standard Internal Cutlery Tray (For BU66F3ID/BU66F4ID)	600
2	RUNITPROTECT	Kitchen Protective Material	
1	STSBACK600	Stainless Steel Splashback 600 X	750
2	TOPSEALBOLT	Topseal Easibolt Pack	
1	VENTGRIDGR	Aeration Grid Grey	510/45/15





PLEASE CHECK &  
CONFIRM DIMENSIONS  
& LAYOUT ON SITE  
BEFORE ORDERING  
CABINETS

Client: BLOOR HOMES

Site: BLOOR 2022

House Type: CLASSIC 401 WOLLATON UTILITY

House Type 2: UPGRADE

Drawing No: 724142U\_

Revision No:

Scale: Scale-to-fit

Symphony®

THIS DRAWING AND THE COPYRIGHT THEREIN IS THE PROPERTY OF THE SYMPHONY GROUP PLC. THIS DRAWING IS ISSUED ON THE CONDITION THAT IT MUST NOT BE USED, COPIED OR EXHIBITED WITHOUT THE WRITTEN PERMISSION OF THE SYMPHONY GROUP PLC. ANY COMPONENTS OR ARTICLES MADE IN ACCORDANCE WITH THIS DRAWING MUST NOT BE USED FOR ANY OTHER PURPOSE THAN FOR WHICH THE DRAWING IS ISSUED.

THIS PLAN IS OFFERED AS A GUIDE ONLY FOR APPROVAL BY OUR CUSTOMER. NO RESPONSIBILITY IS UNDERTAKEN FOR ITS ACCURACY IN RELATION TO ORDERS PLACED FOR THE FITTING OF OUR GOODS WITHIN THE DIMENSIONS SHOWN.

**SCHEDULE &  
CUBIC CAPACITY**

**Symphony<sup>®</sup>**

Client Name:	BLOOR HOMES	Site Name:	BLOOR 2022 CLASSIC ISSUE 4
House Type:	CLASSIC 401 WOLLATON UTILITY UPGRADE		
Drawing No:	724142U_	Revision No:	
Date Drawn:	Fri, Nov 25, 2022	Revision Date:	
Designed By:	CARA NORTCLIFF	Quote No:	

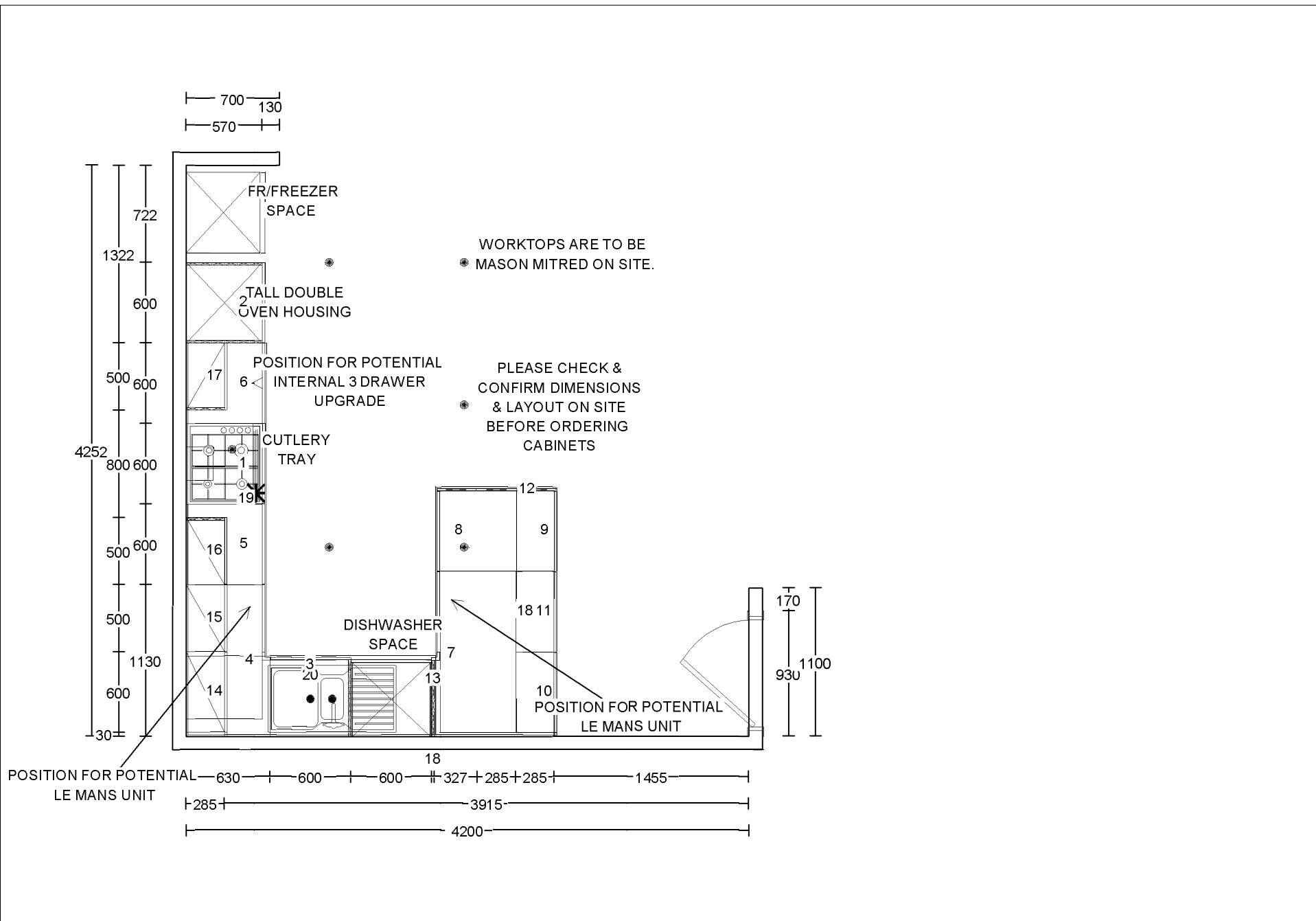
Items on Plan: Default Style

Plan No.	Qty	Code	Hdg	Description	Dims	CC (M3)
1	1	BBU6592R		Replacement End Matched Base Blender	650/920	
	1	BBU6592R		Replacement End Matched Base Blender 650/920 TO BOX BOILER PIPES		
	1	BBU6592R		Replacement End Matched Base Blender 650/920 TO BOX BOILER PIPES		

**Total cubic metres of  
storage**

Worktop Details: Default Style

Plan No.	Qty	Code	Description	Dims
2	1	PWT	40mm PVC Edged / 40mm Premium / 30mm Hi Def Worktop	1700/650
	1	PFUP3095	Laminate Upstand	3000/95



Client:	BLOOR HOMES	Drawing No:	724144__
Site:	BLOOR 2022	Revision No:	
House Type:	CLASSIC 401 WOLLATON EXCL. UTILITY	Scale:	Scale-to-fit
House Type 2:	EXCLUSIVE		

**Symphony**®

THIS DRAWING AND THE COPYRIGHT THEREIN IS THE PROPERTY OF THE SYMPHONY GROUP PLC. THIS DRAWING IS ISSUED ON THE CONDITION THAT IT MUST NOT BE USED, COPIED OR EXHIBITED WITHOUT THE WRITTEN PERMISSION OF THE SYMPHONY GROUP PLC. ANY COMPONENTS OR ARTICLES MADE IN ACCORDANCE WITH THIS DRAWING MUST NOT BE USED FOR ANY OTHER PURPOSE THAN FOR WHICH THE DRAWING IS ISSUED.

THIS PLAN IS OFFERED AS A GUIDE ONLY FOR APPROVAL BY OUR CUSTOMER. NO RESPONSIBILITY IS UNDERTAKEN FOR ITS ACCURACY IN RELATION TO ORDERS PLACED FOR THE FITTING OF OUR GOODS WITHIN THE DIMENSIONS SHOWN.

**SCHEDULE &  
CUBIC CAPACITY**



Client Name:	BLOOR HOMES	Site Name:	BLOOR 2022 CLASSIC ISSUE 4
House Type:	CLASSIC 401 WOLLATON EXCL. UTILITY EXCLUSIVE		
Drawing No:	724144__	Revision No:	
Date Drawn:	Wed, Mar 30, 2022	Revision Date:	
Designed By:	CARA NORTCLIFF	Quote No:	

Items on Plan:

Default Style

Plan No.	Qty	Code	Hdg	Description	Dims	CC (M3)
1	1	BU66F3IDC	L	Base Unit FH w/1x Shallow Int. Drw & 2x Deep Int. Drw	600/600/870	0.20
1.2	1	HOBSHIELD6		Hobshield	600	
2	1	OH663AG2	R	Dbl Oven Hsg. (3A) (2 Ends)	600/600/2100	0.28
3	1	SU66SLFGL	R	Sink Unit FH w/Sink Liner (LH End)	600/600/870	0.20
4	1	CB106FAFP	L	Corner Base FH (500 Door) (Flexi C/Post)	1000/600/870	0.34
5	1	BU66F	L	Base Unit FH	600/600/870	0.20
6	1	BU66F	R	Base Unit FH	600/600/870	0.20
7	1	CB126FFP	R	Corner Base FH (600 Door) (Flexi C/Post)	1200/600/870	0.41
8	1	BU66F	L	Base Unit FH	600/600/870	0.20
9	1	BU63F	R	Reduced Depth Base Unit FH	600/300/870	0.10
10	1	BU63F	L	Reduced Depth Base Unit FH	600/300/870	0.10
11	1	BU63F	L	Reduced Depth Base Unit FH	600/300/870	0.10
12	1	BBBP992R		Replacement End Matched Breakfast Bar Back Panel	900/920	
13	1	BBU6592R		Replacement End Matched Base Blender	650/920	
14	1	WU672	L	Wall Unit	600/300/724	0.10
15	1	WU572	L	Wall Unit	500/300/724	0.08
16	1	WU572GR	L	Wall Unit (RH End)	500/300/724	0.08
17	1	WU572GL	R	Wall Unit (LH End)	500/300/724	0.08
	1	BWU390R		Replacement End Matched Wall Blender (For Filler)	307/970	
	1	BWU390R		Replacement End Matched Wall Blender (For Filler)	352/970	

**Total cubic metres of storage**

**2.67**

Worktop Details:

Default Style

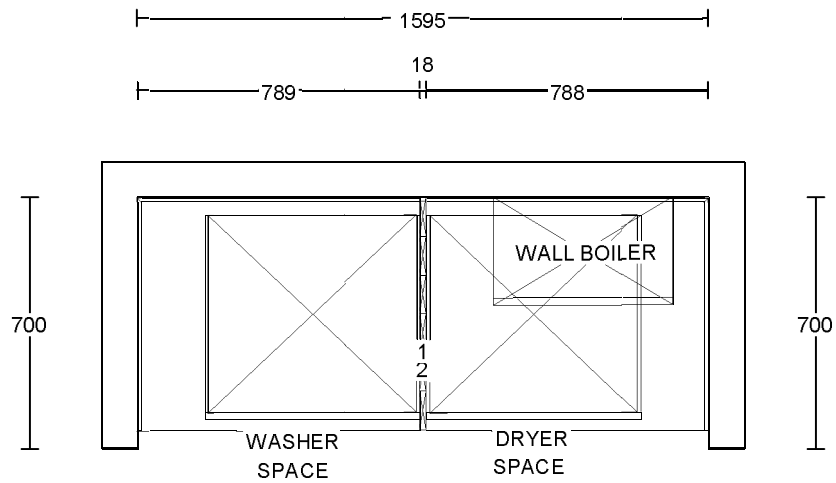
Plan No.	Qty	Code	Description	Dims
----------	-----	------	-------------	------

18	1	DPWT	40mm Double PVC Edged / 40mm Premium Worktop	2000/900
19	1	PWT	40mm PVC Edged / 40mm Premium Worktop	2500/600
20	1	PWT	40mm PVC Edged / 40mm Premium Worktop	2000/600
	1	PFUP3095	Laminate Upstand	3000/95
	1	PFUP3095	Laminate Upstand	3000/95

Accessories and Trims:

Default Style

Qty	Code	Description	Dims
3	CONPLINTHR	Replacement End Matched Continuous Plinth w/Plinth Seal	2600
1	CTRAYVFH6	Standard Internal Cutlery Tray (For BU66F3ID/BU66F4ID)	600
1	GLSPASH675	Glass Splashback	600/750
2	RUNITPROTECT	Kitchen Protective Material	
2	TOPSEALBOLT	Topseal Easibolt Pack	
1	VENTGRIDGR	Aeration Grid Grey	510/45/15



PLEASE CHECK &  
CONFIRM DIMENSIONS  
& LAYOUT ON SITE  
BEFORE ORDERING  
CABINETS

Client:	BLOOR HOMES	Drawing No:	724144U_	<b>Symphony</b> <sup>®</sup>
Site:	BLOOR 2022	Revision No:		
House Type:	CLASSIC 401 WOLLATON UTILITY	Scale:	Scale-to-fit	
House Type 2:	EXCLUSIVE			

THIS DRAWING AND THE COPYRIGHT THEREIN IS THE PROPERTY OF THE SYMPHONY GROUP PLC. THIS DRAWING IS ISSUED ON THE CONDITION THAT IT MUST NOT BE USED, COPIED OR EXHIBITED WITHOUT THE WRITTEN PERMISSION OF THE SYMPHONY GROUP PLC. ANY COMPONENTS OR ARTICLES MADE IN ACCORDANCE WITH THIS DRAWING MUST NOT BE USED FOR ANY OTHER PURPOSE THAN FOR WHICH THE DRAWING IS ISSUED.

THIS PLAN IS OFFERED AS A GUIDE ONLY FOR APPROVAL BY OUR CUSTOMER. NO RESPONSIBILITY IS UNDERTAKEN FOR ITS ACCURACY IN RELATION TO ORDERS PLACED FOR THE FITTING OF OUR GOODS WITHIN THE DIMENSIONS SHOWN.

**SCHEDULE &  
CUBIC CAPACITY**



Client Name:	BLOOR HOMES	Site Name:	BLOOR 2022 CLASSIC ISSUE 4
House Type:	CLASSIC 401 WOLLATON UTILITY EXCLUSIVE		
Drawing No:	724144U_	Revision No:	
Date Drawn:	Fri, Nov 25, 2022	Revision Date:	
Designed By:	CARA NORTCLIFF	Quote No:	

Items on Plan:

Default Style

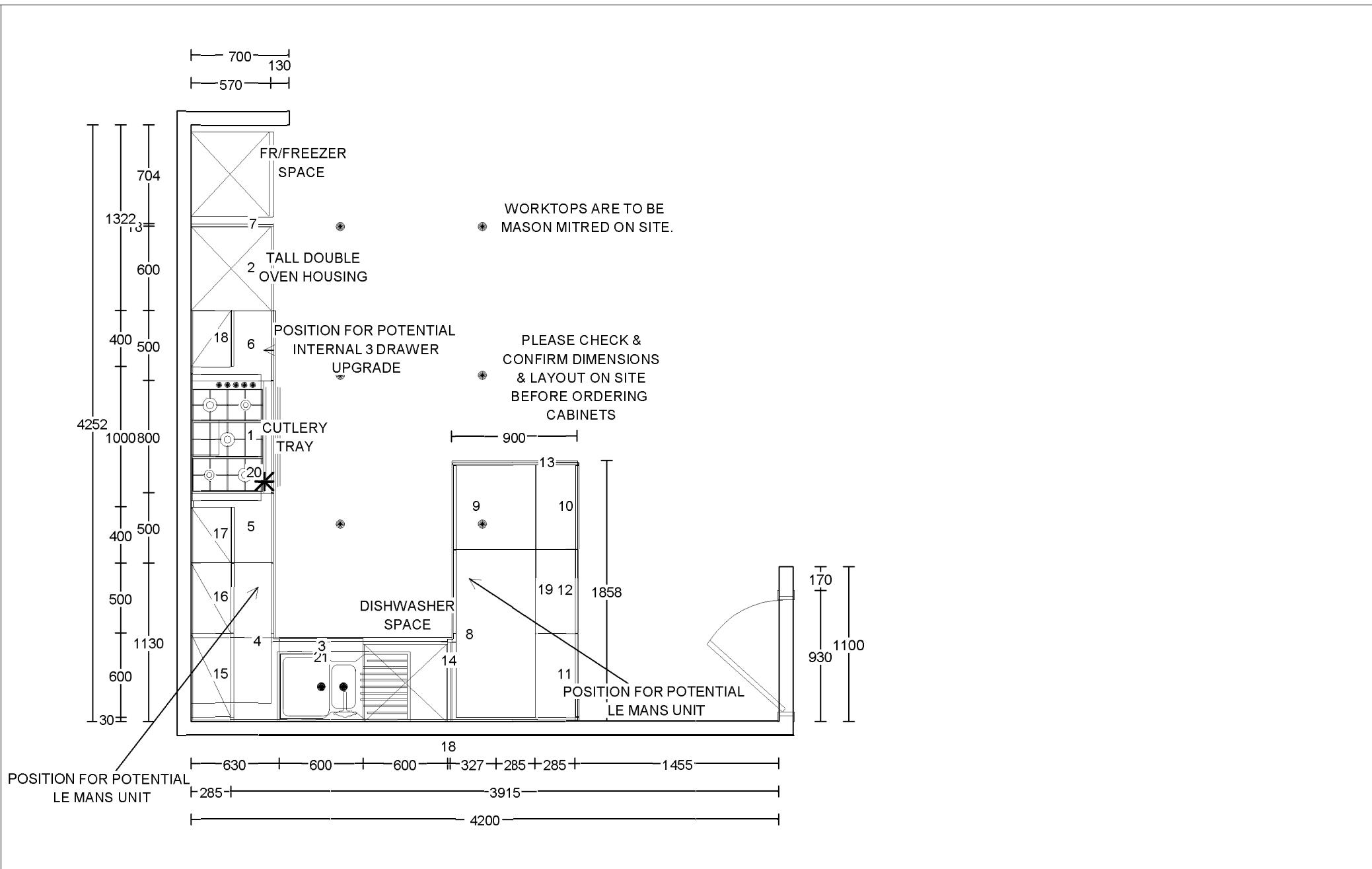
Plan No.	Qty	Code	Hdg	Description	Dims	CC (M3)
1	1	BBU6592R		Replacement End Matched Base Blender	650/920	
	1	BBU6592R		Replacement End Matched Base Blender 650/920 TO BOX BOILER PIPES		
	1	BBU6592R		Replacement End Matched Base Blender 650/920 TO BOX BOILER PIPES		

**Total cubic metres of  
storage**

Worktop Details:

Default Style

Plan No.	Qty	Code	Description	Dims
2	1	PWT	40mm PVC Edged / 40mm Premium / 30mm Hi Def Worktop	1700/650
	1	PFUP3095	Laminate Upstand	3000/95



Client:	BLOOR HOMES	Drawing No:	724141_A
Site:	BLOOR 2022	Revision No:	A
House Type:	CLASSIC 401 WOLLATON EXCL. UTILITY	Scale:	Scale-to-fit
House Type 2:	STANDARD PAN DRAWER		



THIS DRAWING AND THE COPYRIGHT THEREIN IS THE PROPERTY OF THE SYMPHONY GROUP PLC. THIS DRAWING IS ISSUED ON THE CONDITION THAT IT MUST NOT BE USED, COPIED OR EXHIBITED WITHOUT THE WRITTEN PERMISSION OF THE SYMPHONY GROUP PLC. ANY COMPONENTS OR ARTICLES MADE IN ACCORDANCE WITH THIS DRAWING MUST NOT BE USED FOR ANY OTHER PURPOSE THAN FOR WHICH THE DRAWING IS ISSUED.

THIS PLAN IS OFFERED AS A GUIDE ONLY FOR APPROVAL BY OUR CUSTOMER. NO RESPONSIBILITY IS UNDERTAKEN FOR ITS ACCURACY IN RELATION TO ORDERS PLACED FOR THE FITTING OF OUR GOODS WITHIN THE DIMENSIONS SHOWN.



**SCHEDULE &  
CUBIC CAPACITY**



Client Name:	BLOOR HOMES	Site Name:	BLOOR 2022 CLASSIC ISSUE 4
House Type:	CLASSIC 401 WOLLATON EXCL. UTILITY STANDARD PAN DRAWER		
Drawing No:	724141_A	Revision No:	A
Date Drawn:	Fri, Jul 15, 2022	Revision Date:	14.7.22
Designed By:	CARA NORTCLIFF	Quote No:	

Items on Plan:

Default Style

Plan No.	Qty	Code	Hdg	Description	Dims	CC (M3)
1	1	PD86D2IDT		2 Pan Drawer Unit w/Int. Top Drawer	800/600/870	0.26
1.2	1	HOBSHIELD8		Hobshield	800	
2	1	OH663A	R	Dbl Oven Hsg. (3A)	600/600/2100	0.28
3	1	SU66SLF	R	Sink Unit FH w/Sink Liner	600/600/870	0.20
4	1	CB106FAFP	L	Corner Base FH (500 Door) (Flexi C/Post)	1000/600/870	0.34
5	1	BU56F	L	Base Unit FH	500/600/870	0.16
6	1	BU56F	R	Base Unit FH	500/600/870	0.16
7	1	BLU7523C		Carcase Matched Tall Blender	750/2400	
8	1	CB126FFP	R	Corner Base FH (600 Door) (Flexi C/Post)	1200/600/870	0.41
9	1	BU66F	L	Base Unit FH	600/600/870	0.20
10	1	BU63F	R	Reduced Depth Base Unit FH	600/300/870	0.10
11	1	BU63F	L	Reduced Depth Base Unit FH	600/300/870	0.10
12	1	BU63F	L	Reduced Depth Base Unit FH	600/300/870	0.10
13	1	BBBP992C		Carcase Matched Breakfast Bar Back Panel	900/920	
14	1	BBU6592C		Carcase Matched Base Blender	650/920	
15	1	WU672	L	Wall Unit	600/300/724	0.10
16	1	WU572	L	Wall Unit	500/300/724	0.08
17	1	WU472	L	Wall Unit	400/300/724	0.07
18	1	WU472	R	Wall Unit	400/300/724	0.07
	1	BWU390C		Carcase Matched Wall Blender (For Filler)	307/970	
	1	BWU390C		Carcase Matched Wall Blender (For Filler)	307/970	

**Total cubic metres of storage 2.63**

Worktop Details:

Default Style

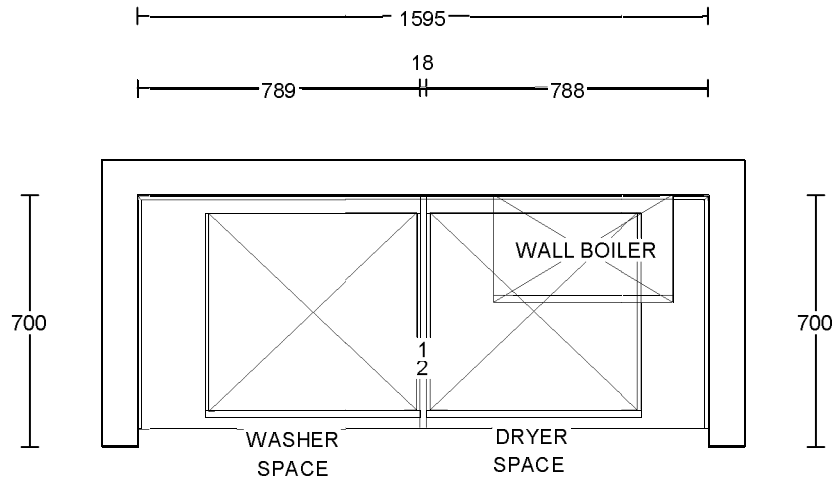
Plan No.	Qty	Code	Description	Dims

19	1	DPWT	40mm Double PVC Edged / 40mm Premium Worktop	2000/900
20	1	PWT	40mm PVC Edged / 40mm Premium Worktop	2500/600
21	1	PWT	40mm PVC Edged / 40mm Premium Worktop	2000/600
	1	PFUP3095	Laminate Upstand	3000/95
	1	PFUP3095	Laminate Upstand	3000/95

Accessories and Trims:

Default Style

Qty	Code	Description	Dims
1	BRKPLINTH	Plinth Corner Bracket (Pack of 2)	
3	CONPLINTHC	Carcase Matched Continuous Plinth w/Plinth Seal	2600
1	CTRAYVINT8	Standard Pan Drawer Internal Cutlery Tray	800
2	RUNITPROTECT	Kitchen Protective Material	
1	STSBACK900	Stainless Steel Splashback 900 X	750
2	TOPSEALBOLT	Topseal Easibolt Pack	
1	VENTGRIDGR	Aeration Grid Grey	510/45/15



PLEASE CHECK &  
CONFIRM DIMENSIONS  
& LAYOUT ON SITE  
BEFORE ORDERING  
CABINETS

Client:	BLOOR HOMES	Drawing No:	724141U_	<b>Symphony</b> <sup>®</sup>
Site:	BLOOR 2022	Revision No:		
House Type:	CLASSIC 401 WOLLATON UTILITY	Scale:	Scale-to-fit	
House Type 2:	STANDARD PAN DRAWER			

THIS DRAWING AND THE COPYRIGHT THEREIN IS THE PROPERTY OF THE SYMPHONY GROUP PLC. THIS DRAWING IS ISSUED ON THE CONDITION THAT IT MUST NOT BE USED, COPIED OR EXHIBITED WITHOUT THE WRITTEN PERMISSION OF THE SYMPHONY GROUP PLC. ANY COMPONENTS OR ARTICLES MADE IN ACCORDANCE WITH THIS DRAWING MUST NOT BE USED FOR ANY OTHER PURPOSE THAN FOR WHICH THE DRAWING IS ISSUED.

THIS PLAN IS OFFERED AS A GUIDE ONLY FOR APPROVAL BY OUR CUSTOMER. NO RESPONSIBILITY IS UNDERTAKEN FOR ITS ACCURACY IN RELATION TO ORDERS PLACED FOR THE FITTING OF OUR GOODS WITHIN THE DIMENSIONS SHOWN.

**SCHEDULE &  
CUBIC CAPACITY**



Client Name:	BLOOR HOMES	Site Name:	BLOOR 2022 CLASSIC ISSUE 4
House Type:	CLASSIC 401 WOLLATON UTILITY STANDARD PAN DRAWER		
Drawing No:	724141U_	Revision No:	
Date Drawn:	Fri, Nov 25, 2022	Revision Date:	
Designed By:	CARA NORTCLIFF	Quote No:	

Items on Plan:

Default Style

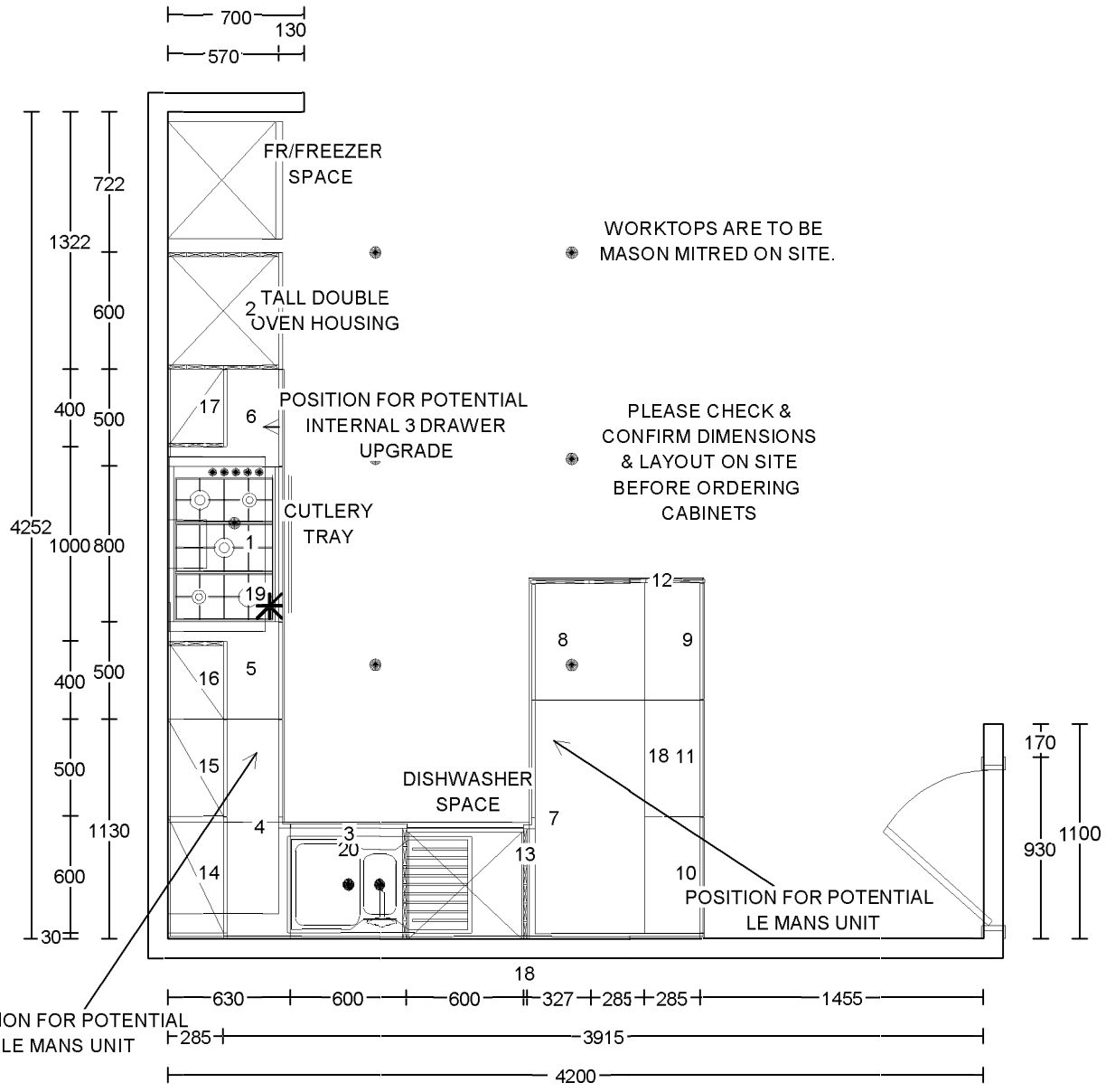
Plan No.	Qty	Code	Hdg	Description	Dims	CC (M3)
1	1	BBU6592C		Carcase Matched Base Blender	650/920	
	1	BBU6592C		Carcase Matched Base Blender 650/920 TO BOX BOILER PIPES		
	1	BBU6592C		Carcase Matched Base Blender 650/920 TO BOX BOILER PIPES		

**Total cubic metres of  
storage**

Worktop Details:

Default Style

Plan No.	Qty	Code	Description	Dims
2	1	PWT	40mm PVC Edged / 40mm Premium / 30mm Hi Def Worktop	1700/650
	1	PFUP3095	Laminate Upstand	3000/95



Client:	BLOOR HOMES	Drawing No:	724143_A
Site:	BLOOR 2022	Revision No:	A
House Type:	CLASSIC 401 WOLLATON EXCL. UTILITY	Scale:	Scale-to-fit
House Type 2:	UPGRADE PAN DRAWER		



THIS DRAWING AND THE COPYRIGHT THEREIN IS THE PROPERTY OF THE SYMPHONY GROUP PLC. THIS DRAWING IS ISSUED ON THE CONDITION THAT IT MUST NOT BE USED, COPIED OR EXHIBITED WITHOUT THE WRITTEN PERMISSION OF THE SYMPHONY GROUP PLC. ANY COMPONENTS OR ARTICLES MADE IN ACCORDANCE WITH THIS DRAWING MUST NOT BE USED FOR ANY OTHER PURPOSE THAN FOR WHICH THE DRAWING IS ISSUED.

THIS PLAN IS OFFERED AS A GUIDE ONLY FOR APPROVAL BY OUR CUSTOMER. NO RESPONSIBILITY IS UNDERTAKEN FOR ITS ACCURACY IN RELATION TO ORDERS PLACED FOR THE FITTING OF OUR GOODS WITHIN THE DIMENSIONS SHOWN.

**SCHEDULE &  
CUBIC CAPACITY**



Client Name:	BLOOR HOMES	Site Name:	BLOOR 2022 CLASSIC ISSUE 4
House Type:	CLASSIC 401 WOLLATON EXCL. UTILITY UPGRADE PAN DRAWER		
Drawing No:	724143_A	Revision No:	A
Date Drawn:	Fri, Jul 15, 2022	Revision Date:	14.7.22
Designed By:	CARA NORTCLIFF	Quote No:	

Items on Plan:

Default Style

Plan No.	Qty	Code	Hdg	Description	Dims	CC (M3)
1	1	PD86D2IDT		2 Pan Drawer Unit w/Int. Top Drawer	800/600/870	0.26
1.2	1	HOBSHIELD8		Hobshield	800	
2	1	OH663AG2	R	Dbl Oven Hsg. (3A) (2 Ends)	600/600/2100	0.28
3	1	SU66SLFGL	R	Sink Unit FH w/Sink Liner (LH End)	600/600/870	0.20
4	1	CB106FAFP	L	Corner Base FH (500 Door) (Flexi C/Post)	1000/600/870	0.34
5	1	BU56F	L	Base Unit FH	500/600/870	0.16
6	1	BU56F	R	Base Unit FH	500/600/870	0.16
7	1	CB126FFP	R	Corner Base FH (600 Door) (Flexi C/Post)	1200/600/870	0.41
8	1	BU66F	L	Base Unit FH	600/600/870	0.20
9	1	BU63F	R	Reduced Depth Base Unit FH	600/300/870	0.10
10	1	BU63F	L	Reduced Depth Base Unit FH	600/300/870	0.10
11	1	BU63F	L	Reduced Depth Base Unit FH	600/300/870	0.10
12	1	BBBP992R		Replacement End Matched Breakfast Bar Back Panel	900/920	
13	1	BBU6592R		Replacement End Matched Base Blender	650/920	
14	1	WU672	L	Wall Unit	600/300/724	0.10
15	1	WU572	L	Wall Unit	500/300/724	0.08
16	1	WU472GR	L	Wall Unit (RH End)	400/300/724	0.07
17	1	WU472GL	R	Wall Unit (LH End)	400/300/724	0.07
	1	BWU390R		Replacement End Matched Wall Blender (For Filler)	307/970	
	1	BWU390R		Replacement End Matched Wall Blender (For Filler)	352/970	

**Total cubic metres of storage 2.63**

Worktop Details:

Default Style

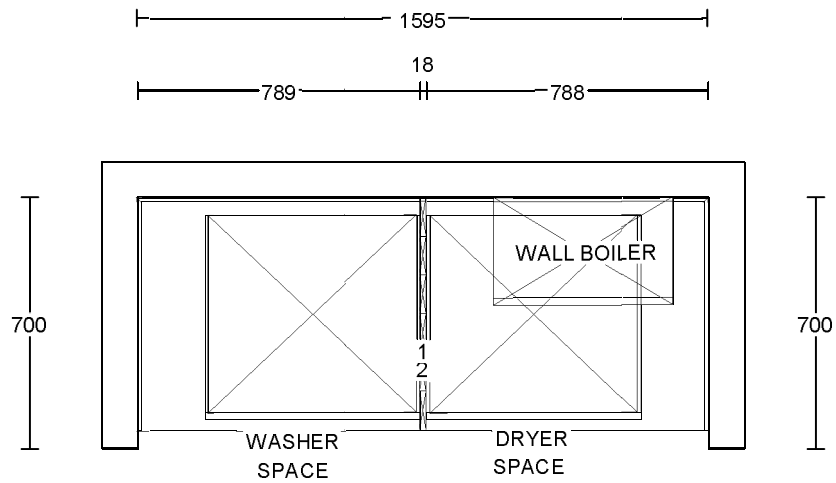
Plan No.	Qty	Code	Description	Dims
18	1	DPWT	40mm Double PVC Edged / 40mm Premium Worktop	2000/900

19	1	PWT	40mm PVC Edged / 40mm Premium Worktop	2500/600
20	1	PWT	40mm PVC Edged / 40mm Premium Worktop	2000/600
	1	PFUP3095	Laminate Upstand	3000/95
	1	PFUP3095	Laminate Upstand	3000/95

Accessories and Trims:

Default Style

Qty	Code	Description	Dims
3	CONPLINTHR	Replacement End Matched Continuous Plinth w/Plinth Seal	2600
1	CTRAYVINT8	Standard Pan Drawer Internal Cutlery Tray	800
2	RUNITPROTECT	Kitchen Protective Material	
1	STSBACK900	Stainless Steel Splashback 900 X	750
2	TOPSEALBOLT	Topseal Easibolt Pack	
1	VENTGRIDGR	Aeration Grid Grey	510/45/15



PLEASE CHECK &  
CONFIRM DIMENSIONS  
& LAYOUT ON SITE  
BEFORE ORDERING  
CABINETS

Client:	BLOOR HOMES	Drawing No:	724143U_	<b>Symphony</b> <sup>®</sup>
Site:	BLOOR 2022	Revision No:		
House Type:	CLASSIC 401 WOLLATON UTILITY	Scale:	Scale-to-fit	
House Type 2:	UPGRADE PAN DRAWER			

THIS DRAWING AND THE COPYRIGHT THEREIN IS THE PROPERTY OF THE SYMPHONY GROUP PLC. THIS DRAWING IS ISSUED ON THE CONDITION THAT IT MUST NOT BE USED, COPIED OR EXHIBITED WITHOUT THE WRITTEN PERMISSION OF THE SYMPHONY GROUP PLC. ANY COMPONENTS OR ARTICLES MADE IN ACCORDANCE WITH THIS DRAWING MUST NOT BE USED FOR ANY OTHER PURPOSE THAN FOR WHICH THE DRAWING IS ISSUED.

THIS PLAN IS OFFERED AS A GUIDE ONLY FOR APPROVAL BY OUR CUSTOMER. NO RESPONSIBILITY IS UNDERTAKEN FOR ITS ACCURACY IN RELATION TO ORDERS PLACED FOR THE FITTING OF OUR GOODS WITHIN THE DIMENSIONS SHOWN.



**SCHEDULE &  
CUBIC CAPACITY**

**Symphony<sup>®</sup>**

Client Name:	BLOOR HOMES	Site Name:	BLOOR 2022 CLASSIC ISSUE 4
House Type:	CLASSIC 401 WOLLATON UTILITY UPGRADE PAN DRAWER		
Drawing No:	724143U_	Revision No:	
Date Drawn:	Fri, Nov 25, 2022	Revision Date:	
Designed By:	CARA NORTCLIFF	Quote No:	

Items on Plan:

Default Style

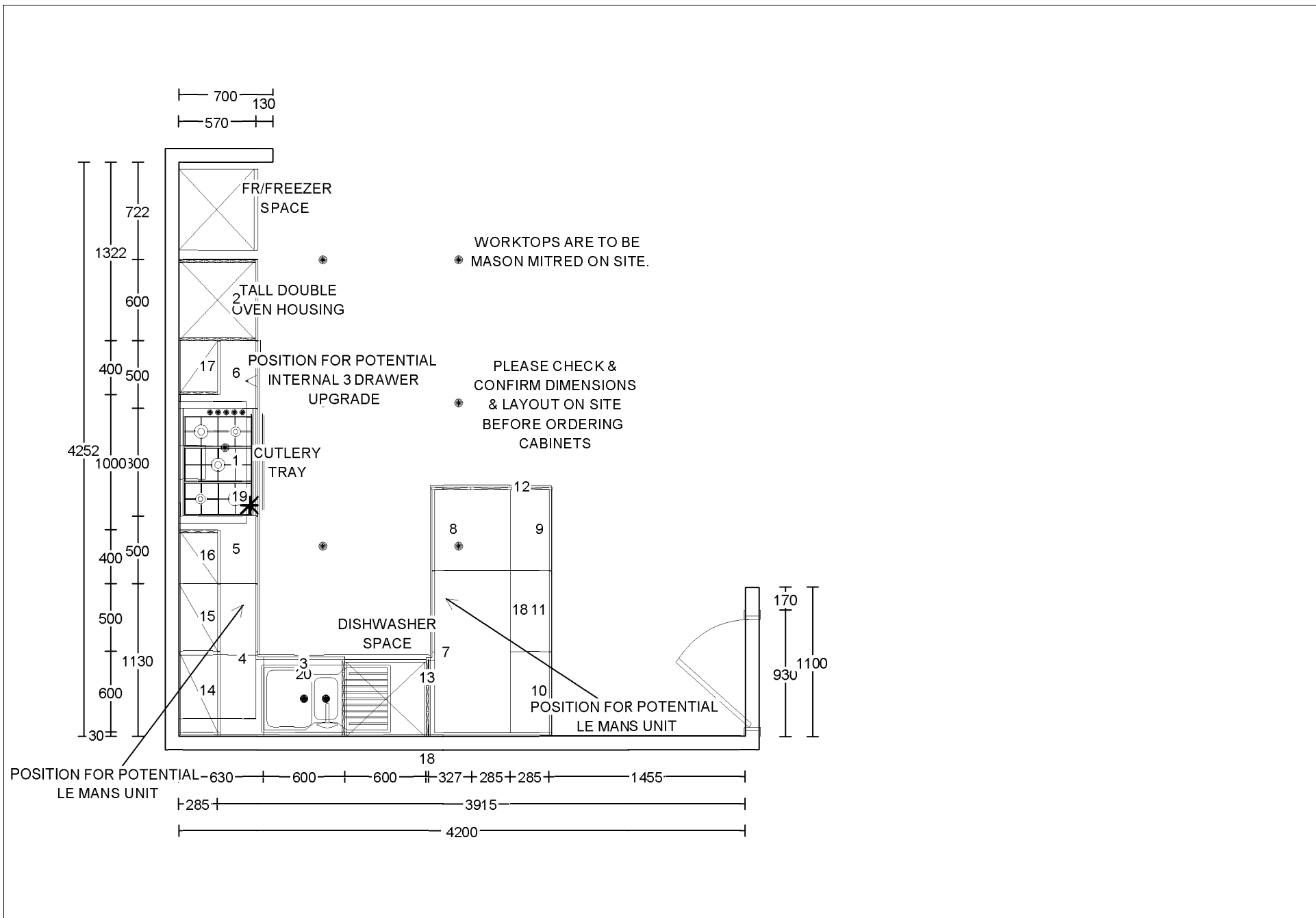
Plan No.	Qty	Code	Hdg	Description	Dims	CC (M3)
1	1	BBU6592R		Replacement End Matched Base Blender	650/920	
	1	BBU6592R		Replacement End Matched Base Blender 650/920 TO BOX BOILER PIPES		
	1	BBU6592R		Replacement End Matched Base Blender 650/920 TO BOX BOILER PIPES		

**Total cubic metres of  
storage**

Worktop Details:

Default Style

Plan No.	Qty	Code	Description	Dims
2	1	PWT	40mm PVC Edged / 40mm Premium / 30mm Hi Def Worktop	1700/650
	1	PFUP3095	Laminate Upstand	3000/95



Client:	BLOOR HOMES	Drawing No:	724145__
Site:	BLOOR 2022	Revision No:	
House Type:	CLASSIC 401 WOLLATON EXCL. UTILITY	Scale:	Scale-to-fit
House Type 2:	EXCLUSIVE PAN DRAWER		



THIS DRAWING AND THE COPYRIGHT THEREIN IS THE PROPERTY OF THE SYMPHONY GROUP PLC. THIS DRAWING IS ISSUED ON THE CONDITION THAT IT MUST NOT BE USED, COPIED OR EXHIBITED WITHOUT THE WRITTEN PERMISSION OF THE SYMPHONY GROUP PLC. ANY COMPONENTS OR ARTICLES MADE IN ACCORDANCE WITH THIS DRAWING MUST NOT BE USED FOR ANY OTHER PURPOSE THAN FOR WHICH THE DRAWING IS ISSUED.

THIS PLAN IS OFFERED AS A GUIDE ONLY FOR APPROVAL BY OUR CUSTOMER. NO RESPONSIBILITY IS UNDERTAKEN FOR ITS ACCURACY IN RELATION TO ORDERS PLACED FOR THE FITTING OF OUR GOODS WITHIN THE DIMENSIONS SHOWN.

**SCHEDULE &  
CUBIC CAPACITY**



Client Name:	BLOOR HOMES	Site Name:	BLOOR 2022 CLASSIC ISSUE 4
House Type:	CLASSIC 401 WOLLATON EXCL. UTILITY EXCLUSIVE PAN DRAWER		
Drawing No:	724145__	Revision No:	
Date Drawn:	Wed, Mar 30, 2022	Revision Date:	
Designed By:	CARA NORTCLIFF	Quote No:	

Items on Plan:

Default Style

Plan No.	Qty	Code	Hdg	Description	Dims	CC (M3)
1	1	PD86D2IDT		2 Pan Drawer Unit w/Int. Top Drawer	800/600/870	0.26
1.2	1	HOBSHIELD8		Hobshield	800	
2	1	OH663AG2	R	Dbl Oven Hsg. (3A) (2 Ends)	600/600/2100	0.28
3	1	SU66SLFGL	R	Sink Unit FH w/Sink Liner (LH End)	600/600/870	0.20
4	1	CB106FAFP	L	Corner Base FH (500 Door) (Flexi C/Post)	1000/600/870	0.34
5	1	BU56F	L	Base Unit FH	500/600/870	0.16
6	1	BU56F	R	Base Unit FH	500/600/870	0.16
7	1	CB126FFP	R	Corner Base FH (600 Door) (Flexi C/Post)	1200/600/870	0.41
8	1	BU66F	L	Base Unit FH	600/600/870	0.20
9	1	BU63F	R	Reduced Depth Base Unit FH	600/300/870	0.10
10	1	BU63F	L	Reduced Depth Base Unit FH	600/300/870	0.10
11	1	BU63F	L	Reduced Depth Base Unit FH	600/300/870	0.10
12	1	BBBP992R		Replacement End Matched Breakfast Bar Back Panel	900/920	
13	1	BBU6592R		Replacement End Matched Base Blender	650/920	
14	1	WU672	L	Wall Unit	600/300/724	0.10
15	1	WU572	L	Wall Unit	500/300/724	0.08
16	1	WU472GR	L	Wall Unit (RH End)	400/300/724	0.07
17	1	WU472GL	R	Wall Unit (LH End)	400/300/724	0.07
	1	BWU390R		Replacement End Matched Wall Blender (For Filler)	307/970	
	1	BWU390R		Replacement End Matched Wall Blender (For Filler)	352/970	

**Total cubic metres of storage**

**2.63**

Worktop Details:

Default Style

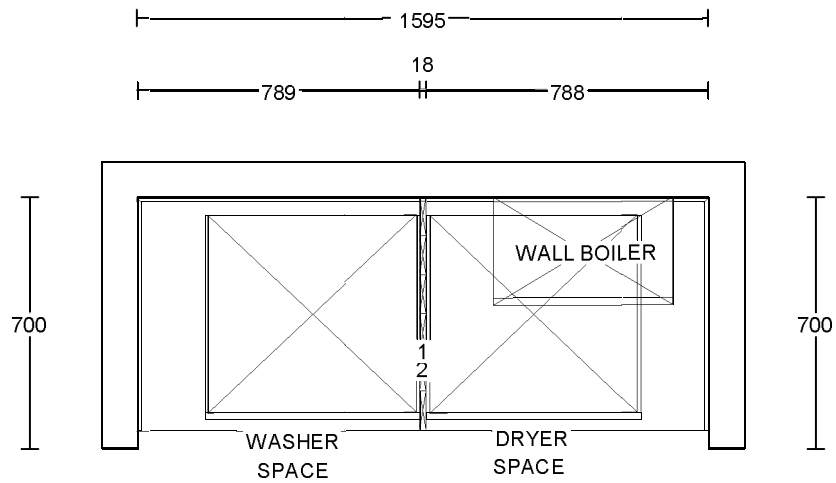
Plan No.	Qty	Code	Description	Dims
----------	-----	------	-------------	------

18	1	DPWT	40mm Double PVC Edged / 40mm Premium Worktop	2000/900
19	1	PWT	40mm PVC Edged / 40mm Premium Worktop	2500/600
20	1	PWT	40mm PVC Edged / 40mm Premium Worktop	2000/600
	1	PFUP3095	Laminate Upstand	3000/95
	1	PFUP3095	Laminate Upstand	3000/95

Accessories and Trims:

Default Style

Qty	Code	Description	Dims
3	CONPLINTHR	Replacement End Matched Continuous Plinth w/Plinth Seal	2600
1	CTRAYVINT8	Standard Pan Drawer Internal Cutlery Tray	800
1	GLSPASH975	Glass Splashback	900/750
2	RUNITPROTECT	Kitchen Protective Material	
2	TOPSEALBOLT	Topseal Easibolt Pack	
1	VENTGRIDGR	Aeration Grid Grey	510/45/15



650mm DEEP  
WORKTOP

PLEASE CHECK &  
CONFIRM DIMENSIONS  
& LAYOUT ON SITE  
BEFORE ORDERING  
CABINETS

Client:	BLOOR HOMES	Drawing No:	724145U_	<b>Symphony</b> <sup>®</sup>
Site:	BLOOR 2022	Revision No:		
House Type:	CLASSIC 401 WOLLATON UTILITY	Scale:	Scale-to-fit	
House Type 2:	EXCLUSIVE PAN DRAWER			

THIS DRAWING AND THE COPYRIGHT THEREIN IS THE PROPERTY OF THE SYMPHONY GROUP PLC. THIS DRAWING IS ISSUED ON THE CONDITION THAT IT MUST NOT BE USED, COPIED OR EXHIBITED WITHOUT THE WRITTEN PERMISSION OF THE SYMPHONY GROUP PLC. ANY COMPONENTS OR ARTICLES MADE IN ACCORDANCE WITH THIS DRAWING MUST NOT BE USED FOR ANY OTHER PURPOSE THAN FOR WHICH THE DRAWING IS ISSUED.

THIS PLAN IS OFFERED AS A GUIDE ONLY FOR APPROVAL BY OUR CUSTOMER. NO RESPONSIBILITY IS UNDERTAKEN FOR ITS ACCURACY IN RELATION TO ORDERS PLACED FOR THE FITTING OF OUR GOODS WITHIN THE DIMENSIONS SHOWN.

**SCHEDULE &  
CUBIC CAPACITY**



Client Name:	BLOOR HOMES	Site Name:	BLOOR 2022 CLASSIC ISSUE 4
House Type:	CLASSIC 401 WOLLATON UTILITY EXCLUSIVE PAN DRAWER		
Drawing No:	724145U_	Revision No:	
Date Drawn:	Fri, Nov 25, 2022	Revision Date:	
Designed By:	CARA NORTCLIFF	Quote No:	

Items on Plan:

Default Style

Plan No.	Qty	Code	Hdg	Description	Dims	CC (M3)
1	1	BBU6592R		Replacement End Matched Base Blender	650/920	
	1	BBU6592R		Replacement End Matched Base Blender 650/920 TO BOX BOILER PIPES		
	1	BBU6592R		Replacement End Matched Base Blender 650/920 TO BOX BOILER PIPES		

**Total cubic metres of  
storage**

Worktop Details:

Default Style

Plan No.	Qty	Code	Description	Dims
2	1	PWT	40mm PVC Edged / 40mm Premium / 30mm Hi Def Worktop	1700/650
	1	PFUP3095	Laminate Upstand	3000/95