

Client: BLOOR HOMES  
 Site: CLASSICS RANGE  
 House Type: CLASSIC 475 WOTTON - EXC UTILITY  
 House Type 2: STANDARD

Drawing No: 720689\_\_  
 Revision No:  
 Scale: Scale-to-fit



**SCHEDULE &  
CUBIC CAPACITY**



Client Name:	BLOOR HOMES	Site Name:	CLASSICS RANGE 2018 - LEVEL 2 ISSUE 4
House Type:	CLASSIC 475 WOTTON - EXC UTILITY STANDARD		
Drawing No:	720689__	Revision No:	
Date Drawn:	Thu, Feb 6, 2020	Revision Date:	
Designed By:	VANESSA GRANT	Quote No:	

Items on Plan:

Default Style

Plan No.	Qty	Code	Hdg	Description	Dims	CC (M3)
1	1	BBU6592C		Carcase Matched Base Blender	650/920	
2	1	BU56F	L	Base Unit FH	500/600/870	0.16
3	1	BU56F	R	Base Unit FH	500/600/870	0.16
4	1	BU66F3IDC	L	Base Unit FH w/1x Shallow Int. Drw & 2x Deep Int. Drw	600/600/870	0.20
5	1	BU56F	L	Base Unit FH	500/600/870	0.16
6	1	BU456F	R	Base Unit FH	450/600/870	0.14
7	1	CB106FAFP	L	Corner Base FH (500 Door) (Flexi C/Post)	1000/600/870	0.34
8	1	SU86SLF		Sink Unit FH w/Sink Liner	800/600/870	0.26
9	1	BU66F	R	Base Unit FH	600/600/870	0.20
10	1	BLU7523C		Carcase Matched Tall Blender	750/2400	
11	1	OH663A	L	Dbl Oven Hsg. (3A)	600/600/2100	0.28
12	1	LU36	R	Larder Unit (70/30 Split)	300/600/2100	0.25
13	1	BLU7523C		Carcase Matched Tall Blender	750/2400	
14	1	WU572	L	Wall Unit	500/300/724	0.08
15	1	WU472	L	Wall Unit	400/300/724	0.07
16	1	WU472	R	Wall Unit	400/300/724	0.07
17	1	WU4572	R	Wall Unit	450/300/724	0.08
18	1	WU672	R	Wall Unit	600/300/724	0.10
	1	HOBSHIELD6		Hobshield	600	
	1	BWU390C		Carcase Matched Wall Blender (For Filler)	307/920	

**Total cubic metres of storage**

**2.55**

Worktop Details:

Default Style

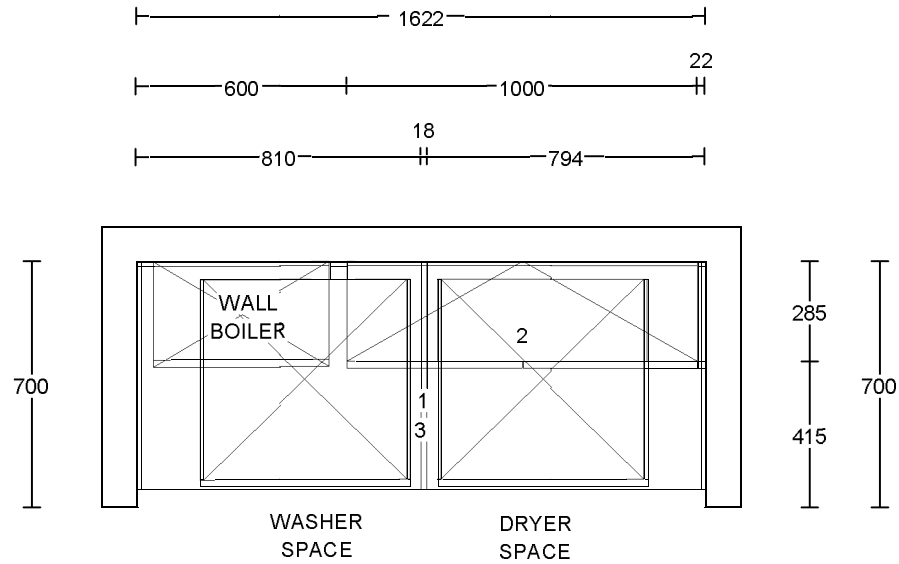
Plan No.	Qty	Code	Description	Dims
19	1	PWT	40mm PVC Edged / 40mm Premium / 30mm Hi Def Worktop	2700/600

20	1	PWT	40mm PVC Edged / 40mm Premium / 30mm Hi Def Worktop	3400/600
	1	PFUP3095	Laminate Upstand	3050/95
	1	PFUP3095	Laminate Upstand	3050/95
	1	PFUP3095	Laminate Upstand	3050/95

Accessories and Trims:

Default Style

Qty	Code	Description	Dims
1	BRKPLINTH	Plinth Corner Bracket (Pack of 2)	
3	CONPLINTHC	Carcase Matched Continuous Plinth w/Plinth Seal	2600
1	CTRAYVFH6	Standard Internal Cutlery Tray (For BU66F3ID/BU66F4ID)	600
2	RUNITPROTECT	Kitchen Protective Material	
1	SBACK675	Stainless Steel Splashback	600/750
1	TOPSEALBOLT	Topseal Easibolt Pack	
1	VENTGRILL200	Ventilation Grill - Flowrate	200cm2



650mm DEEP WORKTOPS

PLEASE CHECK &  
CONFIRM DIMENSIONS  
& LAYOUT ON SITE  
BEFORE ORDERING  
CABINETS

Client:	BLOOR HOMES	Drawing No:	720689U_
Site:	CLASSICS RANGE	Revision No:	
House Type:	CLASSIC 475 WOTTON - UTILITY	Scale:	Scale-to-fit
House Type 2:	STANDARD		

**Symphony**<sup>®</sup>

**SCHEDULE &  
CUBIC CAPACITY**

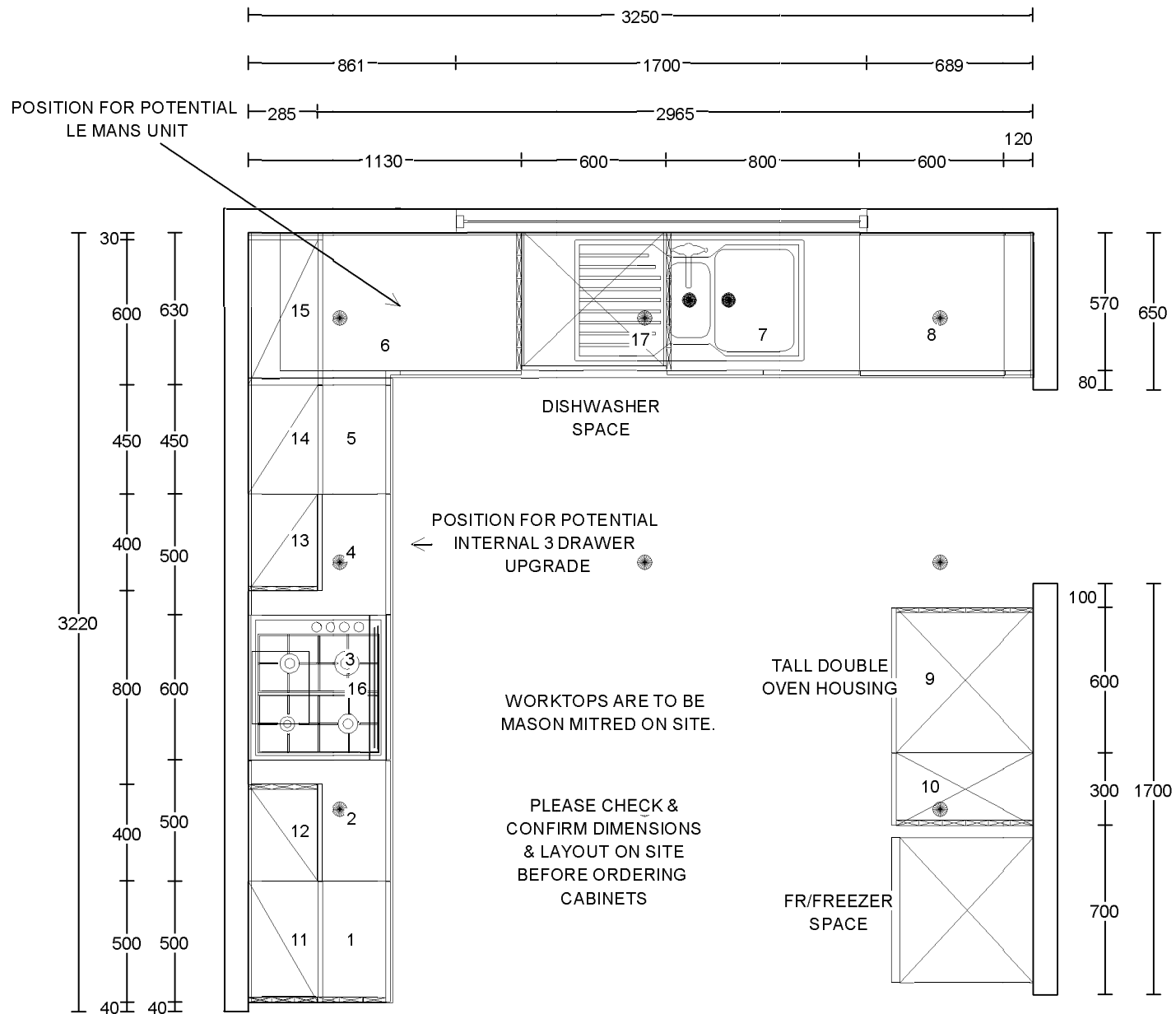
**Symphony**<sup>®</sup>

Client Name:	BLOOR HOMES	Site Name:	CLASSICS RANGE 2018 - LEVEL 2 ISSUE 4
House Type:	CLASSIC 475 WOTTON - UTILITY STANDARD		
Drawing No:	720689U_	Revision No:	
Date Drawn:	Thu, Feb 6, 2020	Revision Date:	
Designed By:	VANESSA GRANT	Quote No:	

Items on Plan:		Default Style				
Plan No.	Qty	Code	Hdg	Description	Dims	CC (M3)
1	1	BBU6592C		Carcase Matched Base Blender	650/920	
2	1	WU1072		Wall Unit	1000/300/724	0.18
	1	BWU390C		Carcase Matched Wall Blender (For Filler)	307/920	
<b>Total cubic metres of storage</b>						<b>0.18</b>

Worktop Details:		Default Style				
Plan No.	Qty	Code		Description	Dims	
3	1	PWT		40mm PVC Edged / 40mm Premium / 30mm Hi Def Worktop	1700/650	
	1	PFUP3095		Laminate Upstand	3050/95	
	1	PFUP3095		Laminate Upstand	3050/95	

Accessories and Trims:		Default Style			
Qty	Code	Description	Dims		
1	RUNITPROTECT	Kitchen Protective Material			



Client: BLOOR HOMES  
 Site: CLASSICS RANGE  
 House Type: CLASSIC 475 WOTTON - EXC UTILITY  
 House Type 2: UPGRADE

Drawing No: 720690\_\_  
 Revision No:  
 Scale: Scale-to-fit

**Symphony**<sup>®</sup>

**SCHEDULE &  
CUBIC CAPACITY**



Client Name:	BLOOR HOMES	Site Name:	CLASSICS RANGE 2018 - LEVEL 2 ISSUE 4
House Type:	CLASSIC 475 WOTTON - EXC UTILITY UPGRADE		
Drawing No:	720690__	Revision No:	
Date Drawn:	Thu, Feb 6, 2020	Revision Date:	
Designed By:	VANESSA GRANT	Quote No:	

Items on Plan:

Default Style

Plan No.	Qty	Code	Hdg	Description	Dims	CC (M3)
1	1	BU56FGL	L	Base Unit FH (LH End)	500/600/870	0.16
2	1	BU56F	R	Base Unit FH	500/600/870	0.16
3	1	BU66F3IDC	L	Base Unit FH w/1x Shallow Int. Drw & 2x Deep Int. Drw	600/600/870	0.20
4	1	BU56F	L	Base Unit FH	500/600/870	0.16
5	1	BU456F	R	Base Unit FH	450/600/870	0.14
6	1	CB106FAFPGR	L	Corner Base FH (RH End) (500 Door) (Flexi C/Post)	1000/600/870	0.34
7	1	SU86SLFGL		Sink Unit FH w/Sink Liner (LH End)	800/600/870	0.26
8	1	BU66F	R	Base Unit FH	600/600/870	0.20
9	1	OH663AGL	L	Dbl Oven Hsg. (3A) (LH End)	600/600/2100	0.28
10	1	LU36GR	R	Larder Unit (70/30 Split) (RH End)	300/600/2100	0.25
11	1	WU572GL	L	Wall Unit (LH End)	500/300/724	0.08
12	1	WU472GR	L	Wall Unit (RH End)	400/300/724	0.07
13	1	WU472GL	R	Wall Unit (LH End)	400/300/724	0.07
14	1	WU4572	R	Wall Unit	450/300/724	0.08
15	1	WU672	R	Wall Unit	600/300/724	0.10
	1	HOBSHIELD6		Hobshield	600	
	1	BWU390R		Replacement End Matched Wall Blender (For Filler)	307/920	

**Total cubic metres of storage**

**2.55**

Worktop Details:

Default Style

Plan No.	Qty	Code	Description	Dims
16	1	PWT	40mm PVC Edged / 40mm Premium / 30mm Hi Def Worktop	2700/600
17	1	PWT	40mm PVC Edged / 40mm Premium / 30mm Hi Def Worktop	3400/600
	1	PFUP3095	Laminate Upstand	3050/95

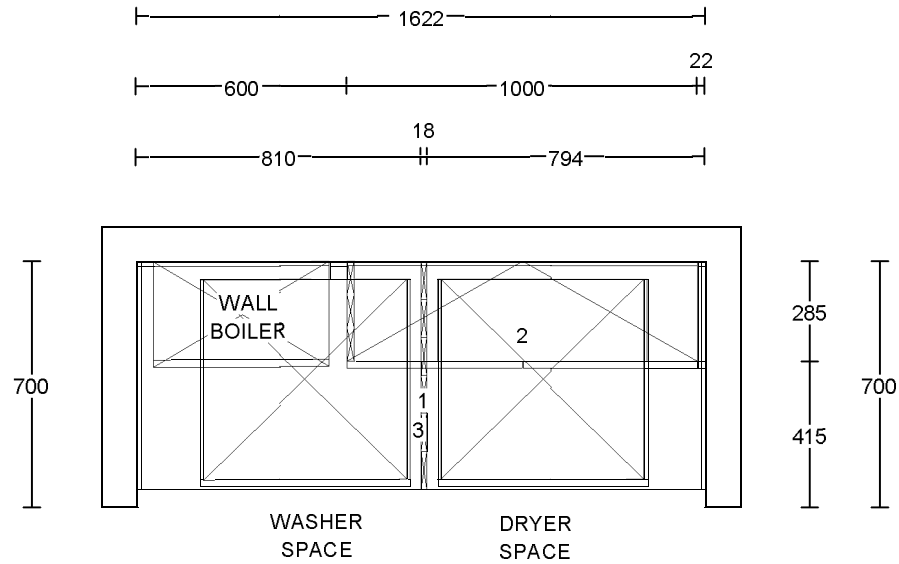
1	PFUP3095	Laminate Upstand	3050/95
1	PFUP3095	Laminate Upstand	3050/95

Accessories and Trims:

Default Style

Qty	Code	Description	Dims
3	CONPLINTHR	Replacement End Matched Continuous Plinth w/Plinth Seal	2600
1	CTRAYVFH6	Standard Internal Cutlery Tray (For BU66F3ID/BU66F4ID)	600
2	RUNITPROTECT	Kitchen Protective Material	
1	SBACK675	Stainless Steel Splashback	600/750
1	TOPSEALBOLT	Topseal Easibolt Pack	
1	VENTGRILL200	Ventilation Grill - Flowrate	200cm2





650mm DEEP WORKTOPS

PLEASE CHECK &  
CONFIRM DIMENSIONS  
& LAYOUT ON SITE  
BEFORE ORDERING  
CABINETS

Client:	BLOOR HOMES	Drawing No:	720690U_
Site:	CLASSICS RANGE	Revision No:	
House Type:	CLASSIC 475 WOTTON - UTILITY	Scale:	Scale-to-fit
House Type 2:	UPGRADE		

**Symphony**<sup>®</sup>

**SCHEDULE &  
CUBIC CAPACITY**

**Symphony**<sup>®</sup>

Client Name:	BLOOR HOMES	Site Name:	CLASSICS RANGE 2018 - LEVEL 2 ISSUE 4
House Type:	CLASSIC 475 WOTTON - UTILITY UPGRADE		
Drawing No:	720690U_	Revision No:	
Date Drawn:	Thu, Feb 6, 2020	Revision Date:	
Designed By:	VANESSA GRANT	Quote No:	

Items on Plan:

Default Style

Plan No.	Qty	Code	Hdg	Description	Dims	CC (M3)
1	1	BBU6592R		Replacement End Matched Base Blender	650/920	
2	1	WU1072GL		Wall Unit (LH End)	1000/300/724	0.18
	1	BWU390R		Replacement End Matched Wall Blender (For Filler)	307/920	

**Total cubic metres of storage**

**0.18**

Worktop Details:

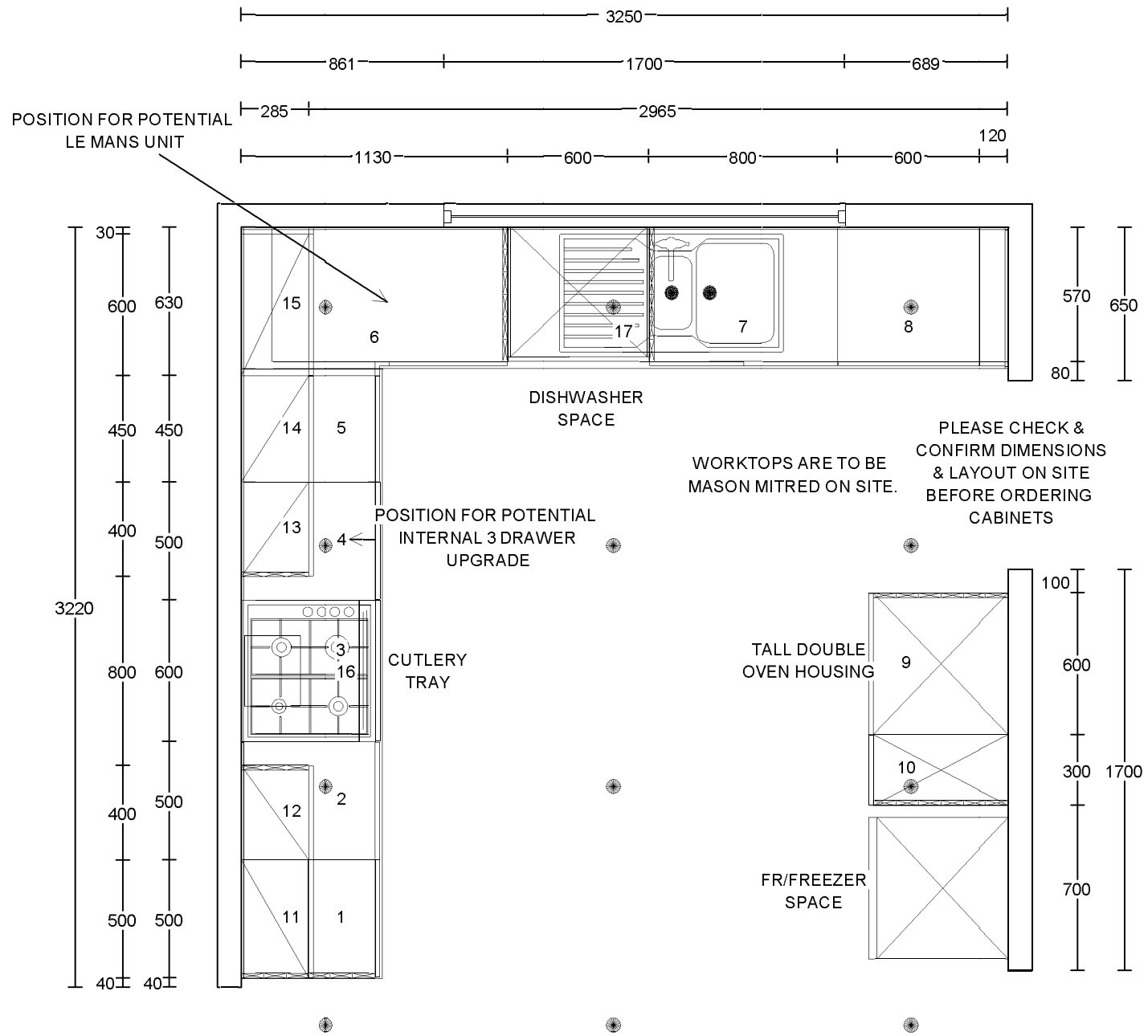
Default Style

Plan No.	Qty	Code	Description	Dims
3	1	PWT	40mm PVC Edged / 40mm Premium / 30mm Hi Def Worktop	1700/650
	1	PFUP3095	Laminate Upstand	3050/95
	1	PFUP3095	Laminate Upstand	3050/95

Accessories and Trims:

Default Style

Qty	Code	Description	Dims
1	RUNITPROTECT	Kitchen Protective Material	



Client:	BLOOR HOMES	Drawing No:	720691__
Site:	CLASSICS RANGE	Revision No:	
House Type:	CLASSIC 475 WOTTON - EXC UTILITY	Scale:	Scale-to-fit
House Type 2:	EXCLUSIVE		



THIS DRAWING AND THE COPYRIGHT THEREIN IS THE PROPERTY OF THE SYMPHONY GROUP PLC. THIS DRAWING IS ISSUED ON THE CONDITION THAT IT MUST NOT BE USED, COPIED OR EXHIBITED WITHOUT THE WRITTEN PERMISSION OF THE SYMPHONY GROUP PLC. ANY COMPONENTS OR ARTICLES MADE IN ACCORDANCE WITH THIS DRAWING MUST NOT BE USED FOR ANY OTHER PURPOSE THAN FOR WHICH THE DRAWING IS ISSUED.

THIS PLAN IS OFFERED AS A GUIDE ONLY FOR APPROVAL BY OUR CUSTOMER. NO RESPONSIBILITY IS UNDERTAKEN FOR ITS ACCURACY IN RELATION TO ORDERS PLACED FOR THE FITTING OF OUR GOODS WITHIN THE DIMENSIONS SHOWN.

**SCHEDULE &  
CUBIC CAPACITY**



Client Name:	BLOOR HOMES	Site Name:	CLASSICS RANGE 2018 - LEVEL 2 ISSUE 4
House Type:	CLASSIC 475 WOTTON - EXC UTILITY EXCLUSIVE		
Drawing No:	720691__	Revision No:	
Date Drawn:	Thu, Feb 6, 2020	Revision Date:	
Designed By:	VANESSA GRANT	Quote No:	

Items on Plan:

Default Style

Plan No.	Qty	Code	Hdg	Description	Dims	CC (M3)
1	1	BU56FGL	L	Base Unit FH (LH End)	500/600/870	0.16
2	1	BU56F	R	Base Unit FH	500/600/870	0.16
3	1	BU66F3IDC	L	Base Unit FH w/1x Shallow Int. Drw & 2x Deep Int. Drw	600/600/870	0.20
4	1	BU56F	R	Base Unit FH	500/600/870	0.16
5	1	BU456F	R	Base Unit FH	450/600/870	0.14
6	1	CB106FAFPGR	L	Corner Base FH (RH End) (500 Door) (Flexi C/Post)	1000/600/870	0.34
7	1	SU86SLFGL		Sink Unit FH w/Sink Liner (LH End)	800/600/870	0.26
8	1	BU66F	L	Base Unit FH	600/600/870	0.20
9	1	OH663AGL	L	Dbl Oven Hsg. (3A) (LH End)	600/600/2100	0.28
10	1	LU36GR	R	Larder Unit (70/30 Split) (RH End)	300/600/2100	0.25
11	1	WU572GL	L	Wall Unit (LH End)	500/300/724	0.08
12	1	WU472GR	L	Wall Unit (RH End)	400/300/724	0.07
13	1	WU472GL	R	Wall Unit (LH End)	400/300/724	0.07
14	1	WU4572	R	Wall Unit	450/300/724	0.08
15	1	WU672	R	Wall Unit	600/300/724	0.10
	1	HOBSHIELD6		Hobshield	600	
	1	BWU390R		Replacement End Matched Wall Blender (For Filler)	307/920	
	1	BWU390R		Replacement End Matched Wall Blender (For Filler)	307/920	

**Total cubic metres of storage**

**2.55**

Worktop Details:

Default Style

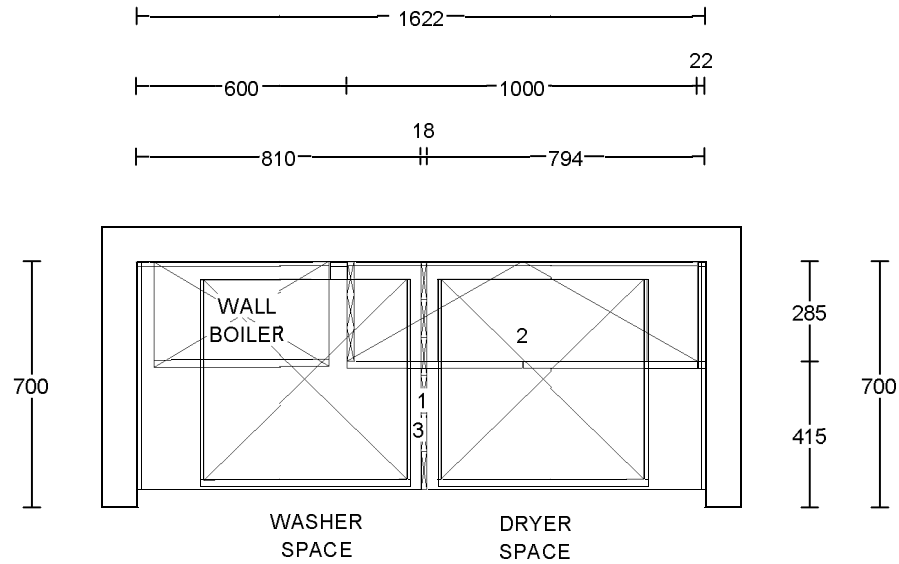
Plan No.	Qty	Code	Description	Dims
16	1	PWT	40mm PVC Edged / 40mm Premium / 30mm Hi Def Worktop	2700/600
17	1	PWT	40mm PVC Edged / 40mm Premium / 30mm Hi Def Worktop	3400/600

1	PFUP3095	Laminate Upstand	3050/95
1	PFUP3095	Laminate Upstand	3050/95
1	PFUP3095	Laminate Upstand	3050/95

Accessories and Trims:

Default Style

Qty	Code	Description	Dims
3	CONPLINTHR	Replacement End Matched Continuous Plinth w/Plinth Seal	2600
1	CTRAYVFH6	Standard Internal Cutlery Tray (For BU66F3ID/BU66F4ID)	600
1	GLSPASH675	Glass Splashback	600/750
2	RUNITPROTECT	Kitchen Protective Material	
1	TOPSEALBOLT	Topseal Easibolt Pack	
1	VENTGRILL200	Ventilation Grill - Flowrate	200cm2



650mm DEEP WORKTOPS

PLEASE CHECK &  
CONFIRM DIMENSIONS  
& LAYOUT ON SITE  
BEFORE ORDERING  
CABINETS

Client:	BLOOR HOMES	Drawing No:	720691U_
Site:	CLASSICS RANGE	Revision No:	
House Type:	CLASSIC 475 WOTTON - UTILITY	Scale:	Scale-to-fit
House Type 2:	EXCLUSIVE		

**Symphony**<sup>®</sup>

**SCHEDULE &  
CUBIC CAPACITY****Symphony**<sup>®</sup>

Client Name: BLOOR HOMES

Site Name: CLASSICS RANGE  
2018 - LEVEL 2 ISSUE 4House Type: CLASSIC 475 WOTTON - UTILITY  
EXCLUSIVEDrawing No: 720691U\_  
Date Drawn: Thu, Feb 6, 2020  
Designed By:Revision No:  
Revision Date:

VANESSA GRANT

Quote No:

## Items on Plan:

## Default Style

Plan No.	Qty	Code	Hdg	Description	Dims	CC (M3)
1	1	BBU6592R		Replacement End Matched Base Blender	650/920	
2	1	WU1072GL		Wall Unit (LH End)	1000/300/724	0.18
	1	BWU390R		Replacement End Matched Wall Blender (For Filler)	307/920	

**Total cubic metres of storage****0.18**

## Worktop Details:

## Default Style

Plan No.	Qty	Code	Description	Dims
3	1	PWT	40mm PVC Edged / 40mm Premium / 30mm Hi Def Worktop	1700/650
	1	PFUP3095	Laminate Upstand	3050/95
	1	PFUP3095	Laminate Upstand	3050/95

## Accessories and Trims:

## Default Style

Qty	Code	Description	Dims
1	RUNITPROTECT	Kitchen Protective Material	