

Client: BLOOR HOMES  
 Site: 2018 CLASSICS  
 House Type: CLASSIC 482 PEELE ISSUE 4.1 - EXC UTILITY  
 House Type 2: STANDARD

Drawing No: 721340\_\_  
 Revision No:  
 Scale: Scale-to-fit

**Symphony**<sup>®</sup>

**SCHEDULE &  
CUBIC CAPACITY**



Client Name:	BLOOR HOMES	Site Name:	2018 CLASSICS LEVEL 2 ISSUE 4
House Type:	CLASSIC 482 PEELE ISSUE 4.1 - EXC UTILITY STANDARD		
Drawing No:	721340__	Revision No:	
Date Drawn:	Tue, Aug 25, 2020	Revision Date:	
Designed By:	CARA NORTCLIFF	Quote No:	

Items on Plan:

Default Style

Plan No.	Qty	Code	Hdg	Description	Dims	CC (M3)
1	1	CB126FFP	L	Corner Base FH (600 Door) (Flexi C/Post)	1200/600/870	0.41
2	1	BU66F	R	Base Unit FH	600/600/870	0.20
3	1	BBBP992C		Carcase Matched Breakfast Bar Back Panel	900/920	
4	1	BU63F	L	Reduced Depth Base Unit FH	600/300/870	0.10
5	1	BU63F	R	Reduced Depth Base Unit FH	600/300/870	0.10
6	1	BU63F	R	Reduced Depth Base Unit FH	600/300/870	0.10
7	1	BLU7523C		Carcase Matched Tall Blender	750/2400	
8	1	BR66	L	Broom Unit	600/600/2100	0.52
9	1	OH663A	L	Dbl Oven Hsg. (3A)	600/600/2100	0.28
10	1	BU66F	L	Base Unit FH	600/600/870	0.20
11	1	BU66F3IDC	R	Base Unit FH w/1x Shallow Int. Drw & 2x Deep Int. Drw	600/600/870	0.20
12	1	BU66F	R	Base Unit FH	600/600/870	0.20
13	1	CS126SLFAFP	L	Corner Sink FH w/Sink Liner (600 Door) (Flexi C/Post)	1200/600/870	0.41
14	1	BBU6592C		Carcase Matched Base Blender	650/920	
15	1	WU572	L	Wall Unit	500/300/724	0.08
16	1	WU572	R	Wall Unit	500/300/724	0.08
17	1	WU672	R	Wall Unit	600/300/724	0.10
	1	HOBSHIELD6		Hobshield	600	
	1	BWU390C		Carcase Matched Wall Blender (For Filler)	307/970	
	1	BWU390C		Carcase Matched Wall Blender (For Filler)	307/970	

**Total cubic metres of storage**

**2.98**

Worktop Details:

Default Style

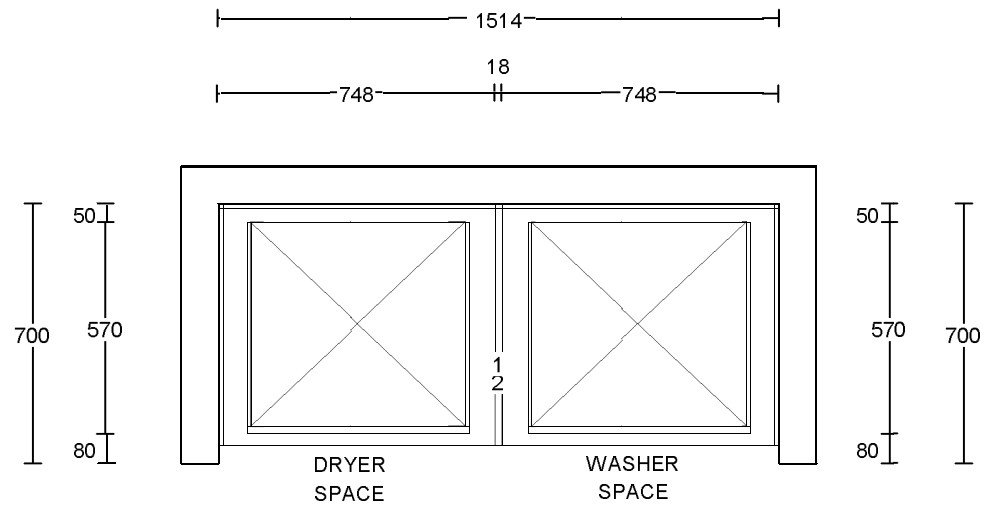
Plan No.	Qty	Code	Description	Dims

18	1	DPWT	40mm Double PVC Edged / 40mm Premium / 30mm Hi Def Worktop	2000/900
19	1	PWT	40mm PVC Edged / 40mm Premium Worktop	2000/600
20	1	PWT	40mm PVC Edged / 40mm Premium / 30mm Hi Def Worktop	2000/600
	1	PFUP3095	Laminate Upstand	3000/95
	1	PFUP3095	Laminate Upstand	3000/95

Accessories and Trims:

Default Style

Qty	Code	Description	Dims
1	BRKPLINTH	Plinth Corner Bracket (Pack of 2)	
4	CONPLINTHC	Carcase Matched Continuous Plinth w/Plinth Seal	2600
1	CTRAYVFH6	Standard Internal Cutlery Tray (For BU66F3ID/BU66F4ID)	600
2	RUNITPROTECT	Kitchen Protective Material	
1	SBACK675	Stainless Steel Splashback	600/750
2	TOPSEALBOLT	Topseal Easibolt Pack	
2	VENTGRIDGR	Aeration Grid Grey	510/45/15
1	VENTGRILL200	Ventilation Grill - Flowrate	200cm2



650mm DEEP WORKTOPS

PLEASE CHECK &  
 CONFIRM DIMENSIONS  
 & LAYOUT ON SITE  
 BEFORE ORDERING  
 CABINETS

Client:	BLOOR HOMES	Drawing No:	721340U_
Site:	2018 CLASSICS	Revision No:	
House Type:	CLASSIC 482 PEELE ISSUE 4.1 - UTILITY	Scale:	Scale-to-fit
House Type 2:	STANDARD		



THIS DRAWING AND THE COPYRIGHT THEREIN IS THE PROPERTY OF THE SYMPHONY GROUP PLC. THIS DRAWING IS ISSUED ON THE CONDITION THAT IT MUST NOT BE USED, COPIED OR EXHIBITED WITHOUT THE WRITTEN PERMISSION OF THE SYMPHONY GROUP PLC. ANY COMPONENTS OR ARTICLES MADE IN ACCORDANCE WITH THIS DRAWING MUST NOT BE USED FOR ANY OTHER PURPOSE THAN FOR WHICH THE DRAWING IS ISSUED.

THIS PLAN IS OFFERED AS A GUIDE ONLY FOR APPROVAL BY OUR CUSTOMER. NO RESPONSIBILITY IS UNDERTAKEN FOR ITS ACCURACY IN RELATION TO ORDERS PLACED FOR THE FITTING OF OUR GOODS WITHIN THE DIMENSIONS SHOWN.

**SCHEDULE &  
CUBIC CAPACITY**



Client Name:	BLOOR HOMES	Site Name:	2018 CLASSICS LEVEL2 ISSUE 4
House Type:	CLASSIC 482 PEELE ISSUE 4.1 - UTILITY STANDARD		
Drawing No:	721340U_	Revision No:	
Date Drawn:	Tue, Aug 25, 2020	Revision Date:	
Designed By:	CARA NORTCLIFF	Quote No:	

Items on Plan: Default Style

Plan No.	Qty	Code	Hdg	Description	Dims	CC (M3)
1	1	BBU6592C		Carcase Matched Base Blender	650/920	

**Total cubic metres of storage**

Worktop Details: Default Style

Plan No.	Qty	Code	Description	Dims
2	1	PWT	40mm PVC Edged / 40mm Premium / 30mm Hi Def Worktop	1600/650
	1	PFUP3095	Laminate Upstand	3050/95
	1	PFUP3095	Laminate Upstand	3050/95

Accessories and Trims: Default Style

Qty	Code	Description	Dims
1	RUNITPROTECT	Kitchen Protective Material	