

Client:	BLOOR HOMES	Drawing No:	720668__
Site:	CLASSICS RANGE	Revision No:	
House Type:	CLASSIC 470 HALLAM - EXC UTILITY	Scale:	Scale-to-fit
House Type 2:	STANDARD		

Symphony®

**SCHEDULE &
CUBIC CAPACITY**



Client Name:	BLOOR HOMES	Site Name:	CLASSICS RANGE 2018 - LEVEL 2 ISSUE 4
House Type:	CLASSIC 470 HALLAM - EXC UTILITY STANDARD		
Drawing No:	720668__	Revision No:	
Date Drawn:	Fri, Jan 7, 2022	Revision Date:	
Designed By:	VANESSA GRANT	Quote No:	

Items on Plan:

Default Style

Plan No.	Qty	Code	Hdg	Description	Dims	CC (M3)
1	1	OH663A	L	Dbl Oven Hsg. (3A)	600/600/2100	0.28
2	1	BU456F	L	Base Unit FH	450/600/870	0.14
3	1	BU66F3IDC	L	Base Unit FH w/1x Shallow Int. Drw & 2x Deep Int. Drw	600/600/870	0.20
4	1	BU96F		Base Unit FH	900/600/870	0.29
5	1	CB126FBO	L	Corner Base FH, No C/Post (600 Door)	1200/600/870	0.41
6	1	SU66SLF	L	Sink Unit FH w/Sink Liner	600/600/870	0.20
7	1	BU66F	R	Base Unit FH	600/600/870	0.20
8	1	BBU6592C		Carcase Matched Base Blender	650/920	
9	1	WU372	L	Wall Unit	300/300/724	0.05
10	1	WU872		Wall Unit	800/300/724	0.14
11	1	CWU672FP	R	Corner Wall (300 Door) (Flexi C/Post)	600/300/724	0.10
12	1	WU372	L	Wall Unit	300/300/724	0.05
13	1	WU672	L	Wall Unit	600/300/724	0.10
14	1	WU672	L	Wall Unit	600/300/724	0.10
15	1	WU672	R	Wall Unit	600/300/724	0.10
16	1	WU672	R	Wall Unit	600/300/724	0.10
	1	HOBSHIELD6		Hobshield	600	
	1	CONPLINTHC		Carcase Matched Continuous Plinth (For Tall Filler)	2600	
	1	FRONTPNL72		Frontal Matched Filler Panel (For C/Post)	720	

Total cubic metres of storage

2.46

Worktop Details:

Default Style

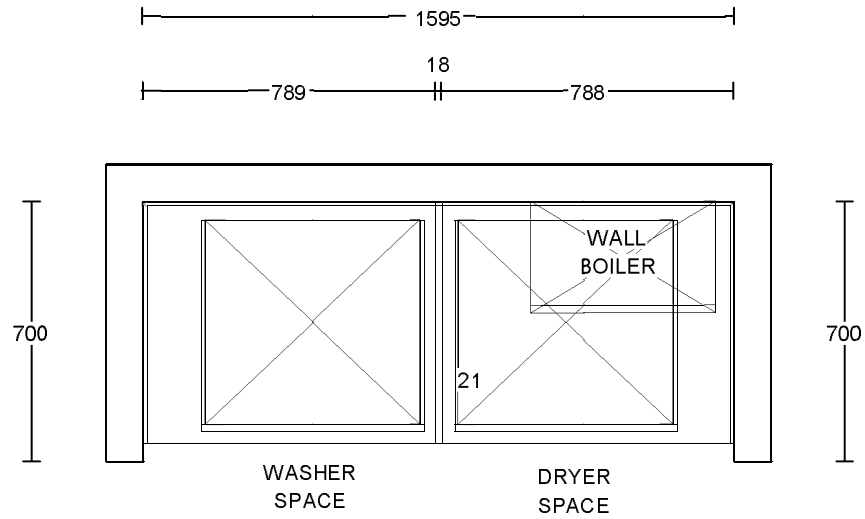
Plan No.	Qty	Code	Description	Dims
17	1	PWT	40mm PVC Edged / 40mm Premium / 30mm Hi Def Worktop	2200/600

18	1	PWT	40mm PVC Edged / 40mm Premium / 30mm Hi Def Worktop	3200/600
	1	PFUP3095	Laminate Upstand	3050/95
	1	PFUP3095	Laminate Upstand	3050/95
	1	PFUP3095	Laminate Upstand	3050/95

Accessories and Trims:

Default Style

Qty	Code	Description	Dims
2	BRKPLINTH	Plinth Corner Bracket (Pack of 2)	
3	CONPLINTHC	Carcase Matched Continuous Plinth w/Plinth Seal	2600
1	CTRAYVFH6	Standard Internal Cutlery Tray (For BU66F3ID/BU66F4ID)	600
2	RUNITPROTECT	Kitchen Protective Material	
1	SBACK675	Stainless Steel Splashback	600/750
1	TOPSEALBOLT	Topseal Easibolt Pack	
1	VENTGRILL200	Ventilation Grill - Flowrate	200cm2



650mm DEEP WORKTOPS

PLEASE CHECK &
CONFIRM DIMENSIONS
& LAYOUT ON SITE
BEFORE ORDERING
CABINETS

Client:	BLOOR HOMES	Drawing No:	720668UA
Site:	CLASSICS RANGE	Revision No:	A
House Type:	CLASSIC 470 HALLAM - UTILITY	Scale:	Scale-to-fit
House Type 2:	STANDARD		

Symphony[®]

**SCHEDULE &
CUBIC CAPACITY**

Symphony[®]

Client Name:	BLOOR HOMES	Site Name:	CLASSICS RANGE 2018 - LEVEL 2 ISSUE 4
House Type:	CLASSIC 470 HALLAM - UTILITY STANDARD		
Drawing No:	720668UA	Revision No:	A
Date Drawn:	Thu, Mar 19, 2020	Revision Date:	12.3.20
Designed By:	CARA NORTCLIFF	Quote No:	

Items on Plan: Default Style

Plan No.	Qty	Code	Hdg	Description	Dims	CC (M3)
1	1	BBU6592C		Carcase Matched Base Blender	650/920	

Total cubic metres of storage

Worktop Details: Default Style

Plan No.	Qty	Code	Description	Dims
2	1	PWT	40mm PVC Edged / 40mm Premium / 30mm Hi Def Worktop	1700/650
	1	PFUP3095	Laminate Upstand	3000/95

Accessories and Trims: Default Style

Qty	Code	Description	Dims
1	RUNITPROTECT	Kitchen Protective Material	