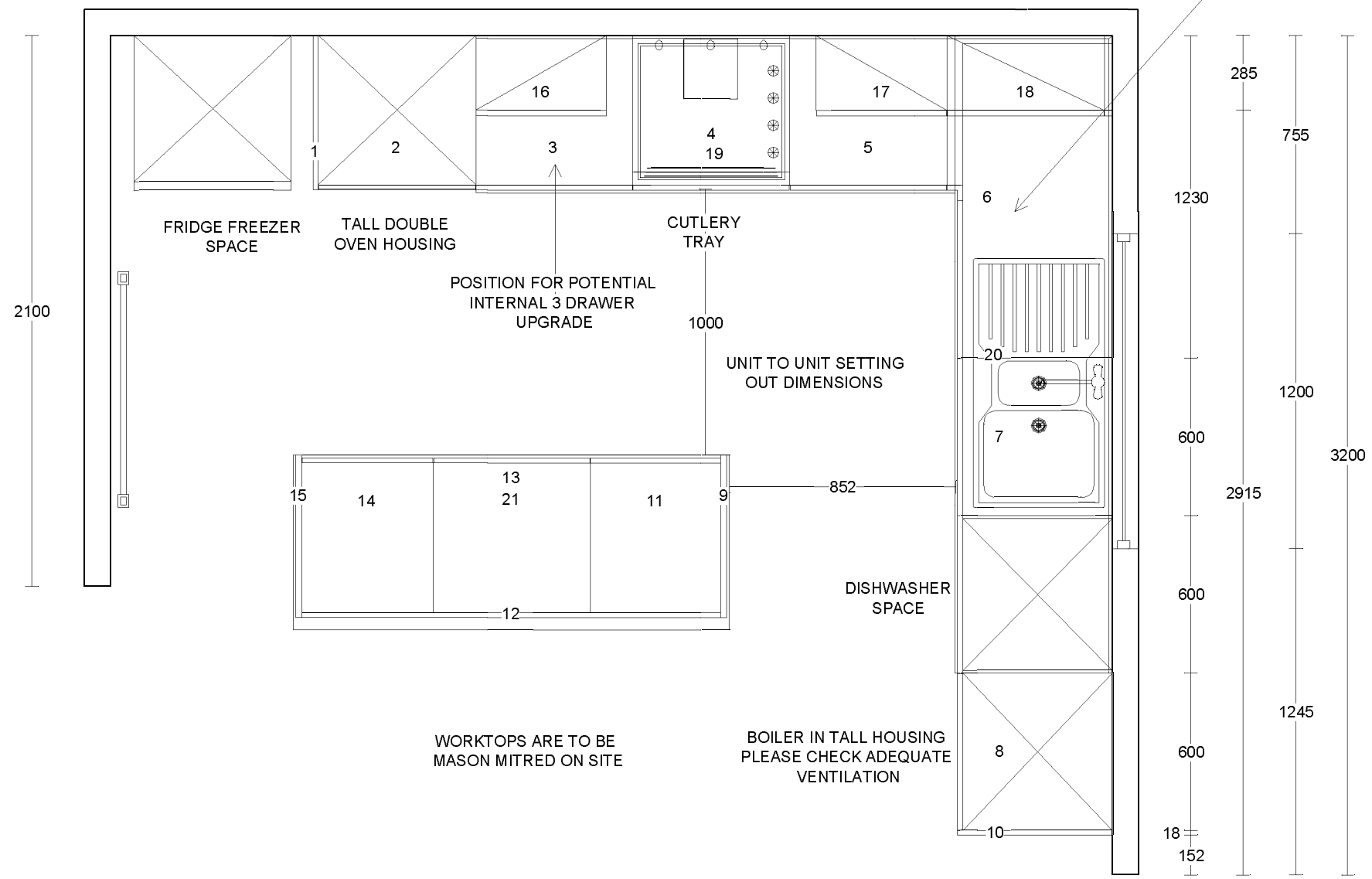


POSITION FOR POTENTIAL LE MANS UNIT



Client	BLOOR HOMES
Site:	2017 HOUSE TYPES
House Type:	430 - STANDARD
House Type 2:	EXC UTILITY

Drawing No:	714984_B
Revision No:	B
Scale:	Scale-to-fit

**Symphony®**

THIS DRAWING AND THE COPYRIGHT THEREIN IS THE PROPERTY OF THE SYMPHONY GROUP PLC. THIS DRAWING IS ISSUED ON THE CONDITION THAT IT MUST NOT BE USED, COPIED OR EXHIBITED WITHOUT THE WRITTEN PERMISSION OF THE SYMPHONY GROUP PLC. ANY COMPONENTS OR ARTICLES MADE IN ACCORDANCE WITH THIS DRAWING MUST NOT BE USED FOR ANY OTHER PURPOSE THAN FOR WHICH THE DRAWING IS ISSUED.

THIS PLAN IS OFFERED AS A GUIDE ONLY FOR APPROVAL BY OUR CUSTOMER. NO RESPONSIBILITY IS UNDERTAKEN FOR ITS ACCURACY IN RELATION TO ORDERS PLACED FOR THE FITTING OF OUR GOODS WITHIN THE DIMENSIONS SHOWN.

**SCHEDULE &  
CUBIC CAPACITY**

**Symphony®**

Client Name: BLOOR HOMES

Site Name: 2017 HOUSE TYPES  
LEVEL 2

House Type: 430 - STANDARD  
EXC UTILITY

Drawing No: 714984\_B  
Date Drawn: Mon, Mar 5, 2018  
Designed By: LEIGH DURHAM

Revision No: B  
Revision Date: 06.11.17

Quote No:

Items on Plan:

Default Style

Plan No.	Qty	Code	Hdg	Description	Dims	CC (M3)
1	1	BLU7523C		Carcase Matched Tall Blender	750/2400	
2	1	OH663A	L	Dbl Oven Hsg. (3A)	600/600/2100	0.28
3	1	BU66F	L	Base Unit FH	600/600/870	0.20
4	1	BU66F3IDC	R	Base Unit FH w/1x Shallow Int. Drw & 2x Deep Int. Drw	600/600/870	0.20
5	1	BU66F	R	Base Unit FH	600/600/870	0.20
6	1	CB126FFP	L	Corner Base FH (600 Door) (Flexi C/Post)	1200/600/870	0.41
7	1	SU66SLF	R	Sink Unit F/HT w/Sink Liner	600/600/870	0.19
8	1	LU66A	R	Larder Unit (Style A) (50/50 Split)	600/600/2100	0.52
9	1	BBU6592C		Carcase Matched Base Blender	650/920	
10	1	BLU7523C		Carcase Matched Tall Blender	750/2400	
11	1	BU56F	L	Base Unit FH	500/600/870	0.16
12	1	BBBP1892C		Carcase Matched Breakfast Bar Back Panel	1800/920	
13	1	BU66F	L	Base Unit FH	600/600/870	0.20
14	1	BU56F	R	Base Unit FH	500/600/870	0.16
15	1	BBU6592C		Carcase Matched Base Blender	650/920	
16	1	WU572	L	Wall Unit	500/300/724	0.08
17	1	WU572	R	Wall Unit	500/300/724	0.08
18	1	WU672	R	Wall Unit	600/300/724	0.10
	1	BBU6592C		Carcase Matched Base Blender TO BOX IN BOILER PIPES	650/920	
	1	BSP372P		Base/Wall Unit Spacer Panel	300/724	
	1	HOBSHIELD6		Hobshield	600	

**Total cubic metres of storage**

**2.78**

Worktop Details:

Default Style

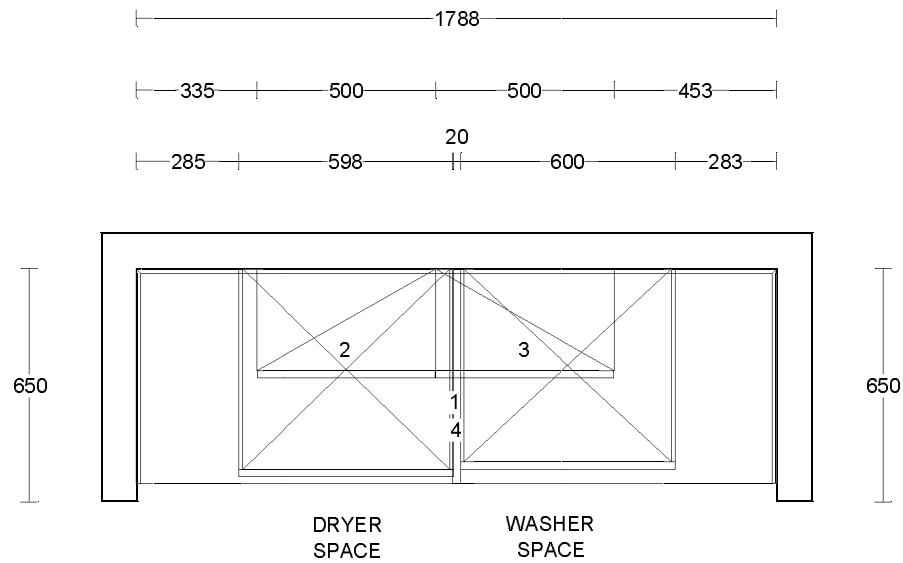
Plan No.	Qty	Code	Description	Dims
19	1	PWT	40mm PVC Edged / 40mm Premium / 30mm Hi Def Worktop	2000/600
20	1	PWT	40mm PVC Edged / 40mm Premium / 30mm Hi Def Worktop	2500/600
21	1	DPWT	40mm Double PVC Edged / 40mm Premium / 30mm Hi Def Worktop	1664/665
	1	PFUP3095	Laminate Upstand 3050/95	3050/95
	1	PFUP3095	Laminate Upstand 3050/95	3050/95

Accessories and Trims:

Default Style

--

<b>Qty</b>	<b>Code</b>	<b>Description</b>	<b>Dims</b>
1	BRKPLINTH	Plinth Corner Bracket (Pack of 2)	
3	CONPLINTHC	Carcase Matched Continuous Plinth w/Plinth Seal	2600
1	CTRAYVFH6	Standard Internal Cutlery Tray (For BU66F3ID/BU66F4ID)	600
2	EDGESTRIP22	22mm Unit Edging Strip	1000
2	RUNITPROTECT	Kitchen Protective Material	
1	SBACK675	Stainless Steel Splashback	600/750
1	TOPSEALBOLT	Topseal Easibolt Pack	
1	VENTGRILL200	Ventilation Grill - Flowrate	200cm2



WALL UNITS MUST BE SET  
AT MAXIMUM HEIGHT OF  
1965MM

Client	BLOOR HOMES	Drawing No:	714984UA	<b>Symphony®</b>
Site:	2017 HOUSE TYPES	Revision No:	A	
House Type:	430 - STANDARD	Scale:	Scale-to-fit	
House Type 2:	UTILITY			

**SCHEDULE &  
CUBIC CAPACITY**

**Symphony®**

Client Name: BLOOR HOMES

Site Name: 2017 HOUSE TYPES  
LEVEL 2

House Type: 430 - STANDARD  
UTILITY

Drawing No: 714984UA  
Date Drawn: Mon, Mar 5, 2018  
Designed By: TOM WATSON

Revision No: A  
Revision Date: 21.03.2017

Quote No:

Items on Plan:

Default Style

Plan No.	Qty	Code	Hdg	Description	Dims	CC (M3)
1	1	BBU6592C		Carcase Matched Base Blender	650/920	
2	1	WU572	L	Wall Unit	500/300/724	0.08
3	1	WU572	R	Wall Unit	500/300/724	0.08
<b>Total cubic metres of storage</b>						<b>0.16</b>

Worktop Details:

Default Style

Plan No.	Qty	Code	Description	Dims
4	1	PWT	40mm PVC Edged / 40mm Premium / 30mm Hi Def Worktop	1900/600
	1	PFUP3095	Laminate Upstand 3050/95	3050/95
	1	PFUP3095	Laminate Upstand 3050/95	3050/95

Accessories and Trims:

Default Style

Qty	Code	Description	Dims
1	RUNITPROTECT	Kitchen Protective Material	