

| | |
|---------------|---------------------------------|
| Client: | BLOOR HOMES |
| Site: | BLOOR 2022 |
| House Type: | CLASSIC 476 WYATT - EXC UTILITY |
| House Type 2: | STANDARD |

| | |
|--------------|--------------|
| Drawing No: | 724182_A |
| Revision No: | A |
| Scale: | Scale-to-fit |

Symphony

THIS DRAWING AND THE COPYRIGHT THEREIN IS THE PROPERTY OF THE SYMPHONY GROUP PLC. THIS DRAWING IS ISSUED ON THE CONDITION THAT IT MUST NOT BE USED, COPIED OR EXHIBITED WITHOUT THE WRITTEN PERMISSION OF THE SYMPHONY GROUP PLC. ANY COMPONENTS OR ARTICLES MADE IN ACCORDANCE WITH THIS DRAWING MUST NOT BE USED FOR ANY OTHER PURPOSE THAN FOR WHICH THE DRAWING IS ISSUED.

THIS PLAN IS OFFERED AS A GUIDE ONLY FOR APPROVAL BY OUR CUSTOMER. NO RESPONSIBILITY IS UNDERTAKEN FOR ITS ACCURACY IN RELATION TO ORDERS PLACED FOR THE FITTING OF OUR GOODS WITHIN THE DIMENSIONS SHOWN.

**SCHEDULE &
CUBIC CAPACITY**



| | | | |
|--------------|---|----------------|-------------------------------|
| Client Name: | BLOOR HOMES | Site Name: | BLOOR 2022 CLASSIC ISSUE 4 |
| House Type: | CLASSIC 476 WYATT - EXC UTILITY STANDARD | | |
| Drawing No: | 724182_A | Revision No: | A |
| Date Drawn: | Fri, Jul 15, 2022 | Revision Date: | 14.7.22 |
| Designed By: | CARA NORTCLIFF | Quote No: | |

Items on Plan:

Default Style

| Plan No. | Qty | Code | Hdg | Description | Dims | CC (M3) |
|----------|-----|------------|-----|--|--------------|---------|
| 1 | 1 | BLU7523C | | Carcase Matched Tall Blender | 750/2400 | |
| 2 | 1 | BU63F | L | Reduced Depth Base Unit FH | 600/300/870 | 0.10 |
| 3 | 1 | BU63F | L | Reduced Depth Base Unit FH | 600/300/870 | 0.10 |
| 4 | 1 | BU63F | R | Reduced Depth Base Unit FH | 600/300/870 | 0.10 |
| 5 | 1 | BBBP992C | | Carcase Matched Breakfast Bar Back Panel | 900/920 | |
| 6 | 1 | BU66F | L | Base Unit FH | 600/600/870 | 0.20 |
| 7 | 1 | CB126FFP | R | Corner Base FH (600 Door) (Flexi C/Post) | 1200/600/870 | 0.41 |
| 8 | 1 | BBU6592C | | Carcase Matched Base Blender | 650/920 | |
| 9 | 1 | SU66SLF | R | Sink Unit FH w/Sink Liner | 600/600/870 | 0.20 |
| 10 | 1 | CB106FAFP | L | Corner Base FH (500 Door) (Flexi C/Post) | 1000/600/870 | 0.34 |
| 11 | 1 | BU66F | L | Base Unit FH | 600/600/870 | 0.20 |
| 12 | 1 | BU66F3IDC | L | Base Unit FH w/1x Shallow Int. Drw & 2x Deep Int. Drw | 600/600/870 | 0.20 |
| 13 | 1 | BU66F | R | Base Unit FH | 600/600/870 | 0.20 |
| 14 | 1 | OH663A | R | Dbl Oven Hsg. (3A) | 600/600/2100 | 0.28 |
| 15 | 1 | WU672 | L | Wall Unit | 600/300/724 | 0.10 |
| 16 | 1 | WU572 | L | Wall Unit | 500/300/724 | 0.08 |
| 17 | 1 | WU572 | L | Wall Unit | 500/300/724 | 0.08 |
| 18 | 1 | WU572 | R | Wall Unit | 500/300/724 | 0.08 |
| | 1 | HOBSHIELD6 | | Hobshield | 600 | |
| | 1 | BWU390C | | Carcase Matched Wall Blender (For Filler) | 307/970 | |
| | 1 | BWU390C | | Carcase Matched Wall Blender (For Filler) | 307/970 | |

Total cubic metres of storage 2.67

Worktop Details:

Default Style

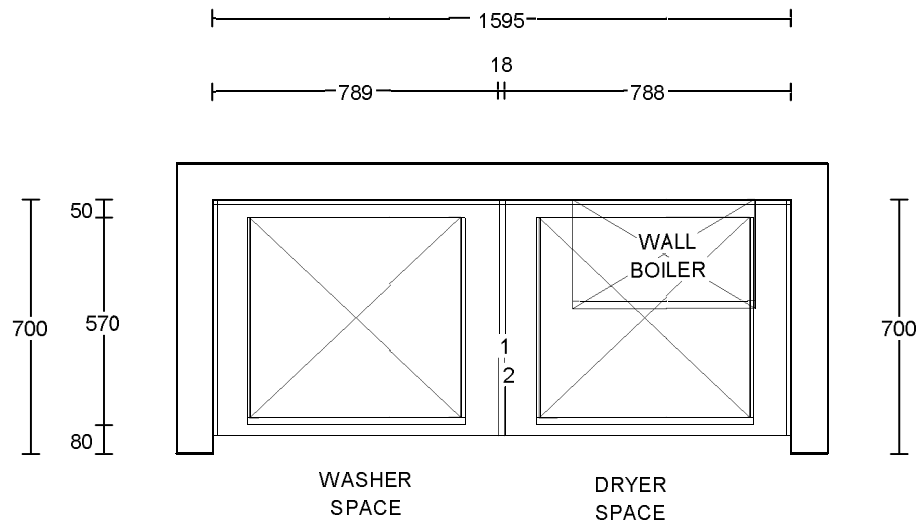
| Plan No. | Qty | Code | Description | Dims |
|----------|-----|------|-------------|------|
| | | | | |

| | | | | |
|----|---|----------|--|----------|
| 19 | 1 | DPWT | 40mm Double PVC Edged / 40mm Premium / 30mm Hi Def Worktop | 2000/900 |
| 20 | 1 | PWT | 40mm PVC Edged / 40mm Premium / 30mm Hi Def Worktop | 2000/600 |
| 21 | 1 | PWT | 40mm PVC Edged / 40mm Premium Worktop | 2500/600 |
| | 1 | PFUP3095 | Laminate Upstand | 3000/95 |
| | 1 | PFUP3095 | Laminate Upstand | 3000/95 |

Accessories and Trims:

Default Style

| Qty | Code | Description | Dims |
|-----|--------------|--|--------|
| 1 | BRKPLINTH | Plinth Corner Bracket (Pack of 2) | |
| 4 | CONPLINTHC | Carcase Matched Continuous Plinth w/Plinth Seal | 2600 |
| 1 | CTRAYVFH6 | Standard Internal Cutlery Tray (For BU66F3ID/BU66F4ID) | 600 |
| 2 | RUNITPROTECT | Kitchen Protective Material | |
| 1 | STSBACK600 | Stainless Steel Splashback 600 X | 750 |
| 2 | TOPSEALBOLT | Topseal Easibolt Pack | |
| 1 | VENTGRILL200 | Ventilation Grill - Flowrate | 200cm2 |



650mm DEEP WORKTOPS

PLEASE CHECK &
CONFIRM DIMENSIONS
& LAYOUT ON SITE
BEFORE ORDERING
CABINETS

| | | | | |
|---------------|-----------------------------|--------------|--------------|------------------------------|
| Client: | BLOOR HOMES | Drawing No: | 724182U_ | Symphony [®] |
| Site: | BLOOR 2022 | Revision No: | | |
| House Type: | CLASSIC 476 WYATT - UTILITY | Scale: | Scale-to-fit | |
| House Type 2: | STANDARD | | | |

THIS DRAWING AND THE COPYRIGHT THEREIN IS THE PROPERTY OF THE SYMPHONY GROUP PLC. THIS DRAWING IS ISSUED ON THE CONDITION THAT IT MUST NOT BE USED, COPIED OR EXHIBITED WITHOUT THE WRITTEN PERMISSION OF THE SYMPHONY GROUP PLC. ANY COMPONENTS OR ARTICLES MADE IN ACCORDANCE WITH THIS DRAWING MUST NOT BE USED FOR ANY OTHER PURPOSE THAN FOR WHICH THE DRAWING IS ISSUED.

THIS PLAN IS OFFERED AS A GUIDE ONLY FOR APPROVAL BY OUR CUSTOMER. NO RESPONSIBILITY IS UNDERTAKEN FOR ITS ACCURACY IN RELATION TO ORDERS PLACED FOR THE FITTING OF OUR GOODS WITHIN THE DIMENSIONS SHOWN.

**SCHEDULE &
CUBIC CAPACITY****Symphony**[®]

| | | | |
|--------------|---|----------------|-------------------------------|
| Client Name: | BLOOR HOMES | Site Name: | BLOOR 2022 CLASSIC ISSUE 4 |
| House Type: | CLASSIC 476 WYATT - UTILITY STANDARD | | |
| Drawing No: | 724182U_ | Revision No: | |
| Date Drawn: | Fri, Nov 25, 2022 | Revision Date: | |
| Designed By: | CARA NORTCLIFF | Quote No: | |

Items on Plan:

Default Style

| Plan No. | Qty | Code | Hdg | Description | Dims | CC (M3) |
|----------|-----|----------|-----|--|---------|---------|
| 1 | 1 | BBU6592C | | Carcase Matched Base Blender | 650/920 | |
| | 1 | BBU6592C | | Carcase Matched Base Blender 650/920 TO BOX BOILER PIPES | | |
| | 1 | BBU6592C | | Carcase Matched Base Blender 650/920 TO BOX BOILER PIPES | | |

**Total cubic metres of
storage**

Worktop Details:

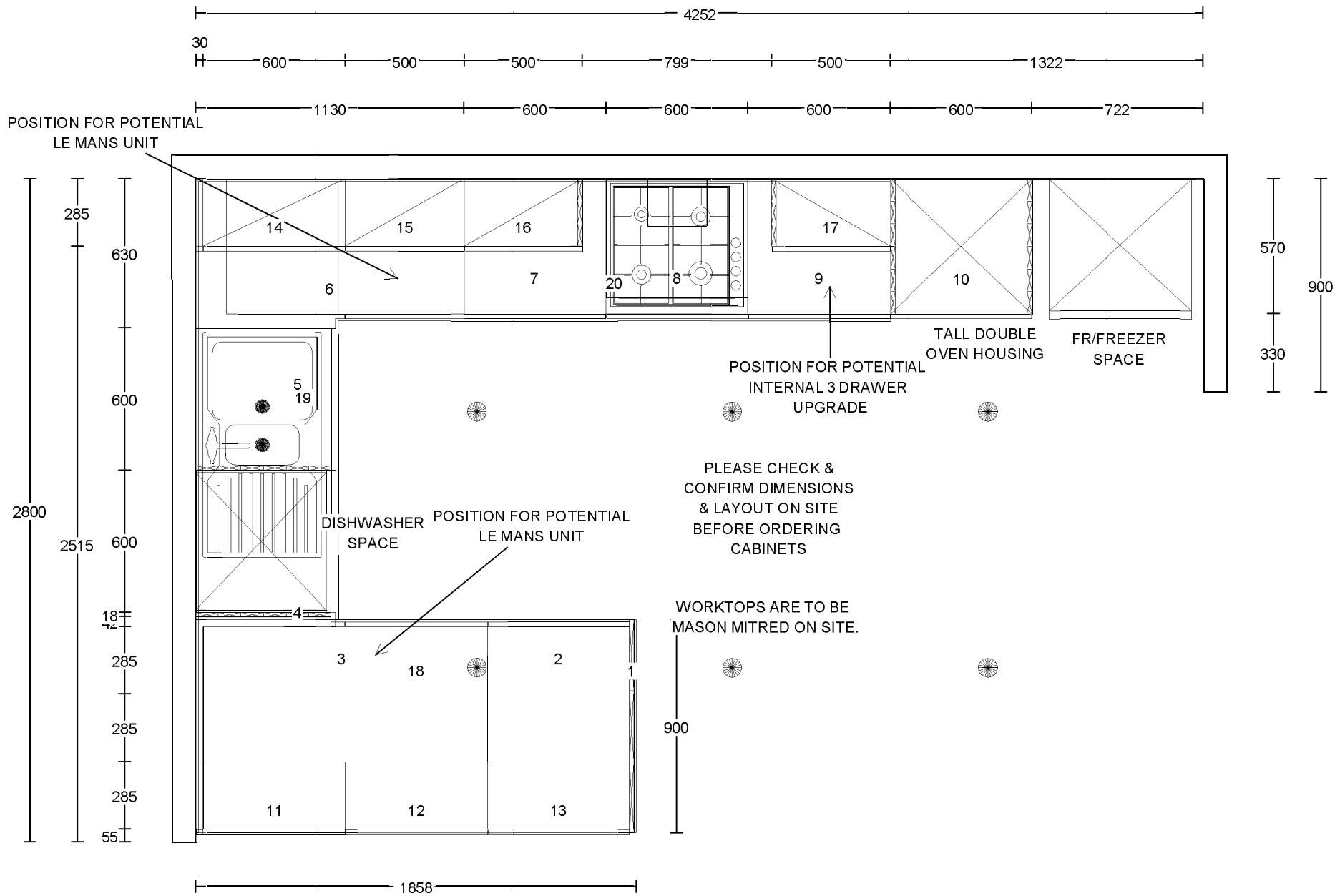
Default Style

| Plan No. | Qty | Code | Description | Dims |
|----------|-----|----------|---|----------|
| 2 | 1 | PWT | 40mm PVC Edged / 40mm Premium / 30mm Hi Def Worktop | 1700/650 |
| | 1 | PFUP3095 | Laminate Upstand | 3050/95 |
| | 1 | PFUP3095 | Laminate Upstand | 3050/95 |

Accessories and Trims:

Default Style

| Qty | Code | Description | Dims |
|-----|--------------|-----------------------------|------|
| 1 | RUNITPROTECT | Kitchen Protective Material | |



| | |
|---------------|---------------------------------|
| Client: | BLOOR HOMES |
| Site: | BLOOR 2022 |
| House Type: | CLASSIC 476 WYATT - EXC UTILITY |
| House Type 2: | UPGRADE |

| | |
|--------------|--------------|
| Drawing No: | 724184_A |
| Revision No: | A |
| Scale: | Scale-to-fit |

Symphony

THIS DRAWING AND THE COPYRIGHT THEREIN IS THE PROPERTY OF THE SYMPHONY GROUP PLC. THIS DRAWING IS ISSUED ON THE CONDITION THAT IT MUST NOT BE USED, COPIED OR EXHIBITED WITHOUT THE WRITTEN PERMISSION OF THE SYMPHONY GROUP PLC. ANY COMPONENTS OR ARTICLES MADE IN ACCORDANCE WITH THIS DRAWING MUST NOT BE USED FOR ANY OTHER PURPOSE THAN FOR WHICH THE DRAWING IS ISSUED.

THIS PLAN IS OFFERED AS A GUIDE ONLY FOR APPROVAL BY OUR CUSTOMER. NO RESPONSIBILITY IS UNDERTAKEN FOR ITS ACCURACY IN RELATION TO ORDERS PLACED FOR THE FITTING OF OUR GOODS WITHIN THE DIMENSIONS SHOWN.

**SCHEDULE &
CUBIC CAPACITY**



| | | | |
|--------------|--|----------------|-------------------------------|
| Client Name: | BLOOR HOMES | Site Name: | BLOOR 2022 CLASSIC ISSUE 4 |
| House Type: | CLASSIC 476 WYATT - EXC UTILITY UPGRADE | | |
| Drawing No: | 724184_A | Revision No: | A |
| Date Drawn: | Fri, Jul 15, 2022 | Revision Date: | 14.7.22 |
| Designed By: | CARA NORTCLIFF | Quote No: | |

Items on Plan:

| Plan No. | Qty | Code | Hdg | Description | Dims | CC (M3) |
|----------|-----|------------|-----|--|--------------|---------|
| 1 | 1 | BBBP992R | | Replacement End Matched Breakfast Bar Back Panel | 900/920 | |
| 2 | 1 | BU66F | L | Base Unit FH | 600/600/870 | 0.20 |
| 3 | 1 | CB126FBO | R | Corner Base FH, No C/Post (600 Door) | 1200/600/870 | 0.41 |
| 4 | 1 | BBU6592R | | Replacement End Matched Base Blender | 650/920 | |
| 5 | 1 | SU66SLFGL | R | Sink Unit FH w/Sink Liner (LH End) | 600/600/870 | 0.20 |
| 6 | 1 | CB106FAFP | L | Corner Base FH (500 Door) (Flexi C/Post) | 1000/600/870 | 0.34 |
| 7 | 1 | BU66F | L | Base Unit FH | 600/600/870 | 0.20 |
| 8 | 1 | BU66F3IDC | L | Base Unit FH w/1x Shallow Int. Drw & 2x Deep Int. Drw | 600/600/870 | 0.20 |
| 9 | 1 | BU66F | R | Base Unit FH | 600/600/870 | 0.20 |
| 10 | 1 | OH663AG2 | R | Dbl Oven Hsg. (3A) (2 Ends) | 600/600/2100 | 0.28 |
| 11 | 1 | BU63F | L | Reduced Depth Base Unit FH | 600/300/870 | 0.10 |
| 12 | 1 | BU63F | L | Reduced Depth Base Unit FH | 600/300/870 | 0.10 |
| 13 | 1 | BU63F | R | Reduced Depth Base Unit FH | 600/300/870 | 0.10 |
| 14 | 1 | WU672 | L | Wall Unit | 600/300/724 | 0.10 |
| 15 | 1 | WU572 | L | Wall Unit | 500/300/724 | 0.08 |
| 16 | 1 | WU572GR | L | Wall Unit (RH End) | 500/300/724 | 0.08 |
| 17 | 1 | WU572GL | R | Wall Unit (LH End) | 500/300/724 | 0.08 |
| | 1 | HOBSHIELD6 | | Hobshield | 600 | |
| | 1 | FRONTPNL72 | | Frontal Matched Filler Panel (For C/Post) | 720 | |
| | 1 | BWU390R | | Replacement End Matched Wall Blender (For Filler) | 307/970 | |
| | 1 | BWU390R | | Replacement End Matched Wall Blender (For Filler) | 307/970 | |

Total cubic metres of storage 2.67

Worktop Details:

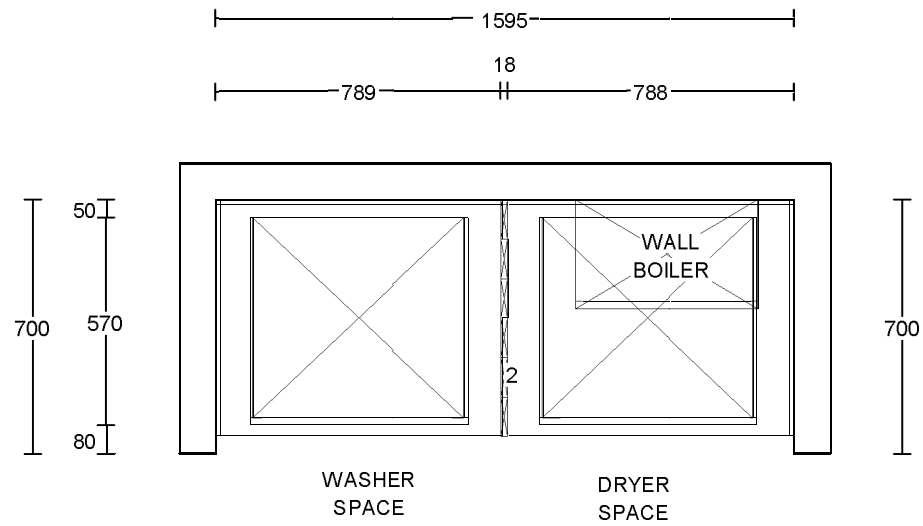
| Plan No. | Qty | Code | Description | Dims |
|----------|-----|------|-------------|------|
|----------|-----|------|-------------|------|

| | | | | |
|----|---|----------|--|----------|
| 18 | 1 | DPWT | 40mm Double PVC Edged / 40mm Premium / 30mm Hi Def Worktop | 2000/900 |
| 19 | 1 | PWT | 40mm PVC Edged / 40mm Premium / 30mm Hi Def Worktop | 2000/600 |
| 20 | 1 | PWT | 40mm PVC Edged / 40mm Premium Worktop | 2500/600 |
| | 1 | PFUP3095 | Laminate Upstand | 3000/95 |
| | 1 | PFUP3095 | Laminate Upstand | 3000/95 |

Accessories and Trims:

Default Style

| Qty | Code | Description | Dims |
|-----|--------------|---|-----------|
| 4 | CONPLINTHR | Replacement End Matched Continuous Plinth w/Plinth Seal | 2600 |
| 1 | CTRAYVFH6 | Standard Internal Cutlery Tray (For BU66F3ID/BU66F4ID) | 600 |
| 2 | RUNITPROTECT | Kitchen Protective Material | |
| 1 | STSBACK600 | Stainless Steel Splashback 600 X | 750 |
| 2 | TOPSEALBOLT | Topseal Easibolt Pack | |
| 1 | VENTGRIDGR | Aeration Grid Grey | 510/45/15 |



650mm DEEP WORKTOPS

PLEASE CHECK &
CONFIRM DIMENSIONS
& LAYOUT ON SITE
BEFORE ORDERING
CABINETS

| | | | | |
|---------------|-----------------------------|--------------|--------------|-----------------|
| Client: | BLOOR HOMES | Drawing No: | 724184U_ | Symphony |
| Site: | BLOOR 2022 | Revision No: | | |
| House Type: | CLASSIC 476 WYATT - UTILITY | Scale: | Scale-to-fit | |
| House Type 2: | UPGRADE | | | |

THIS DRAWING AND THE COPYRIGHT THEREIN IS THE PROPERTY OF THE SYMPHONY GROUP PLC. THIS DRAWING IS ISSUED ON THE CONDITION THAT IT MUST NOT BE USED, COPIED OR EXHIBITED WITHOUT THE WRITTEN PERMISSION OF THE SYMPHONY GROUP PLC. ANY COMPONENTS OR ARTICLES MADE IN ACCORDANCE WITH THIS DRAWING MUST NOT BE USED FOR ANY OTHER PURPOSE THAN FOR WHICH THE DRAWING IS ISSUED.

THIS PLAN IS OFFERED AS A GUIDE ONLY FOR APPROVAL BY OUR CUSTOMER. NO RESPONSIBILITY IS UNDERTAKEN FOR ITS ACCURACY IN RELATION TO ORDERS PLACED FOR THE FITTING OF OUR GOODS WITHIN THE DIMENSIONS SHOWN.

**SCHEDULE &
CUBIC CAPACITY**



| | | | |
|--------------|--|----------------|-------------------------------|
| Client Name: | BLOOR HOMES | Site Name: | BLOOR 2022 CLASSIC ISSUE 4 |
| House Type: | CLASSIC 476 WYATT - UTILITY UPGRADE | | |
| Drawing No: | 724184U_ | Revision No: | |
| Date Drawn: | Fri, Nov 25, 2022 | Revision Date: | |
| Designed By: | CARA NORTCLIFF | Quote No: | |

Items on Plan:

Default Style

| Plan No. | Qty | Code | Hdg | Description | Dims | CC (M3) |
|----------|-----|----------|-----|--|---------|---------|
| 1 | 1 | BBU6592R | | Replacement End Matched Base Blender | 650/920 | |
| | 1 | BBU6592R | | Replacement End Matched Base Blender 650/920 TO BOX BOILER PIPES | | |
| | 1 | BBU6592R | | Replacement End Matched Base Blender 650/920 TO BOX BOILER PIPES | | |

**Total cubic metres of
storage**

Worktop Details:

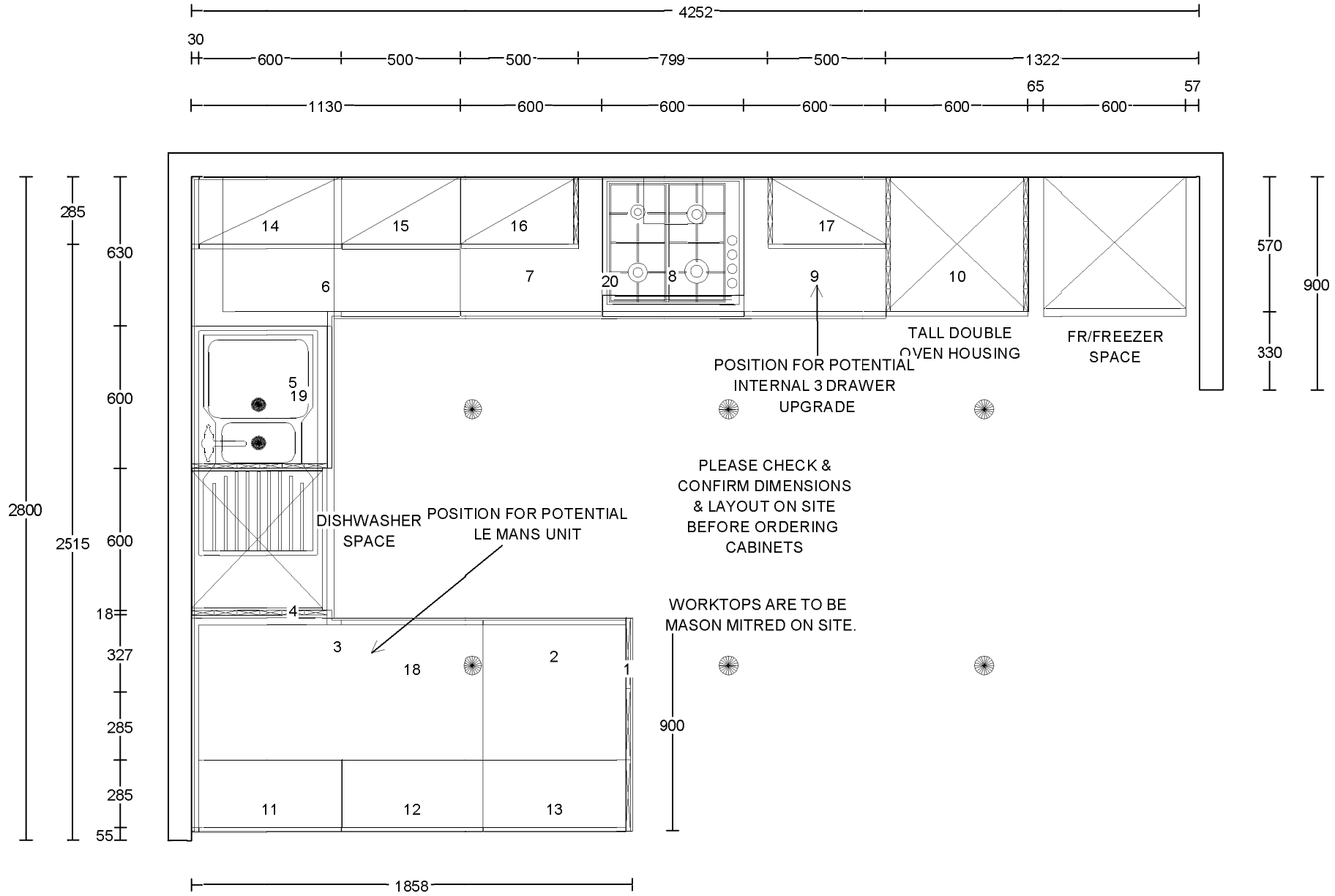
Default Style

| Plan No. | Qty | Code | Description | Dims |
|----------|-----|----------|---|----------|
| 2 | 1 | PWT | 40mm PVC Edged / 40mm Premium / 30mm Hi Def Worktop | 1700/650 |
| | 1 | PFUP3095 | Laminate Upstand | 3050/95 |
| | 1 | PFUP3095 | Laminate Upstand | 3050/95 |

Accessories and Trims:

Default Style

| Qty | Code | Description | Dims |
|-----|--------------|-----------------------------|------|
| 1 | RUNITPROTECT | Kitchen Protective Material | |



| | | | |
|---------------|---------------------------------|--------------|--------------|
| Client: | BLOOR HOMES | Drawing No: | 724186__ |
| Site: | BLOOR 2022 | Revision No: | |
| House Type: | CLASSIC 476 WYATT - EXC UTILITY | Scale: | Scale-to-fit |
| House Type 2: | EXCLUSIVE | | |



THIS DRAWING AND THE COPYRIGHT THEREIN IS THE PROPERTY OF THE SYMPHONY GROUP PLC. THIS DRAWING IS ISSUED ON THE CONDITION THAT IT MUST NOT BE USED, COPIED OR EXHIBITED WITHOUT THE WRITTEN PERMISSION OF THE SYMPHONY GROUP PLC. ANY COMPONENTS OR ARTICLES MADE IN ACCORDANCE WITH THIS DRAWING MUST NOT BE USED FOR ANY OTHER PURPOSE THAN FOR WHICH THE DRAWING IS ISSUED.

THIS PLAN IS OFFERED AS A GUIDE ONLY FOR APPROVAL BY OUR CUSTOMER. NO RESPONSIBILITY IS UNDERTAKEN FOR ITS ACCURACY IN RELATION TO ORDERS PLACED FOR THE FITTING OF OUR GOODS WITHIN THE DIMENSIONS SHOWN.

**SCHEDULE &
CUBIC CAPACITY**



| | | | |
|--------------|--|----------------|-------------------------------|
| Client Name: | BLOOR HOMES | Site Name: | BLOOR 2022 CLASSIC ISSUE 4 |
| House Type: | CLASSIC 476 WYATT - EXC UTILITY EXCLUSIVE | | |
| Drawing No: | 724186__ | Revision No: | |
| Date Drawn: | Wed, Mar 30, 2022 | Revision Date: | |
| Designed By: | CARA NORTCLIFF | Quote No: | |

Items on Plan:

Default Style

| Plan No. | Qty | Code | Hdg | Description | Dims | CC (M3) |
|----------|-----|------------|-----|--|--------------|---------|
| 1 | 1 | BBBP992R | | Replacement End Matched Breakfast Bar Back Panel | 900/920 | |
| 2 | 1 | BU66F | L | Base Unit FH | 600/600/870 | 0.20 |
| 3 | 1 | CB126FFP | R | Corner Base FH (600 Door) (Flexi C/Post) | 1200/600/870 | 0.41 |
| 4 | 1 | BBU6592R | | Replacement End Matched Base Blender | 650/920 | |
| 5 | 1 | SU66SLFGL | R | Sink Unit FH w/Sink Liner (LH End) | 600/600/870 | 0.20 |
| 6 | 1 | CB106FAFP | L | Corner Base FH (500 Door) (Flexi C/Post) | 1000/600/870 | 0.34 |
| 7 | 1 | BU66F | L | Base Unit FH | 600/600/870 | 0.20 |
| 8 | 1 | BU66F3IDC | L | Base Unit FH w/1x Shallow Int. Drw & 2x Deep Int. Drw | 600/600/870 | 0.20 |
| 9 | 1 | BU66F | R | Base Unit FH | 600/600/870 | 0.20 |
| 10 | 1 | OH663AG2 | R | Dbl Oven Hsg. (3A) (2 Ends) | 600/600/2100 | 0.28 |
| 11 | 1 | BU63F | L | Reduced Depth Base Unit FH | 600/300/870 | 0.10 |
| 12 | 1 | BU63F | L | Reduced Depth Base Unit FH | 600/300/870 | 0.10 |
| 13 | 1 | BU63F | R | Reduced Depth Base Unit FH | 600/300/870 | 0.10 |
| 14 | 1 | WU672 | L | Wall Unit | 600/300/724 | 0.10 |
| 15 | 1 | WU572 | L | Wall Unit | 500/300/724 | 0.08 |
| 16 | 1 | WU572GR | L | Wall Unit (RH End) | 500/300/724 | 0.08 |
| 17 | 1 | WU572GL | R | Wall Unit (LH End) | 500/300/724 | 0.08 |
| | 1 | HOBSHIELD6 | | Hobshield | 600 | |
| | 1 | BWU390R | | Replacement End Matched Wall Blender (For Filler) | 307/970 | |
| | 1 | BWU390R | | Replacement End Matched Wall Blender (For Filler) | 307/970 | |

Total cubic metres of storage

2.67

Worktop Details:

Default Style

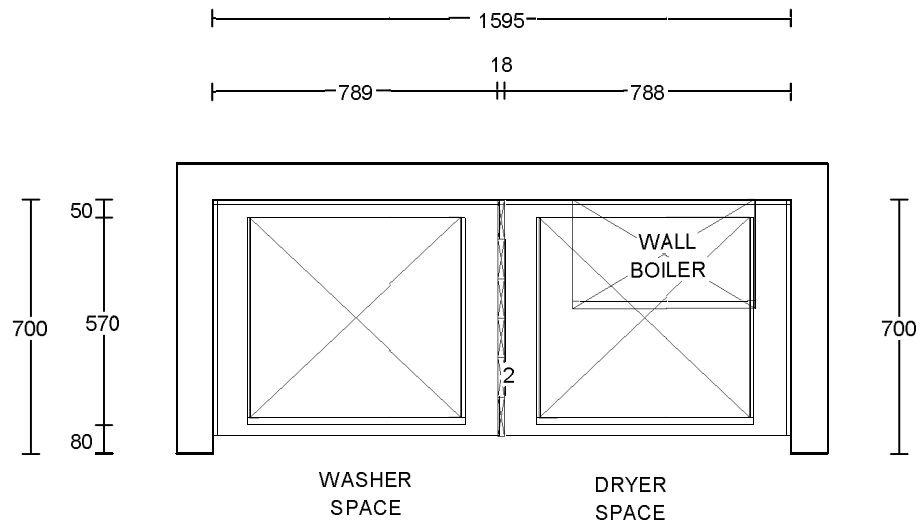
| Plan No. | Qty | Code | Description | Dims |
|----------|-----|------|-------------|------|
| | | | | |

| | | | | |
|----|---|----------|--|----------|
| 18 | 1 | DPWT | 40mm Double PVC Edged / 40mm Premium / 30mm Hi Def Worktop | 2000/900 |
| 19 | 1 | PWT | 40mm PVC Edged / 40mm Premium / 30mm Hi Def Worktop | 2000/600 |
| 20 | 1 | PWT | 40mm PVC Edged / 40mm Premium Worktop | 2500/600 |
| | 1 | PFUP3095 | Laminate Upstand | 3000/95 |
| | 1 | PFUP3095 | Laminate Upstand | 3000/95 |

Accessories and Trims:

Default Style

| Qty | Code | Description | Dims |
|-----|--------------|--|-----------|
| 4 | CONPLINTHR | Replacement End Matched Continuous Plinth w/Plinth Seal | 2600 |
| 1 | CTRAYVFH6 | Standard Internal Cutlery Tray (For BU66F3ID/BU66F4ID) | 600 |
| 1 | GLSPLASH675 | Glass Splashback | 600/750 |
| 2 | RUNITPROTECT | Kitchen Protective Material | |
| 2 | TOPSEALBOLT | Topseal Easibolt Pack | |
| 1 | VENTGRIDGR | Aeration Grid Grey | 510/45/15 |



650mm DEEP WORKTOPS

PLEASE CHECK &
CONFIRM DIMENSIONS
& LAYOUT ON SITE
BEFORE ORDERING
CABINETS

| | | | | |
|---------------|-----------------------------|--------------|--------------|------------------------------|
| Client: | BLOOR HOMES | Drawing No: | 724186U_ | Symphony [®] |
| Site: | BLOOR 2022 | Revision No: | | |
| House Type: | CLASSIC 476 WYATT - UTILITY | Scale: | Scale-to-fit | |
| House Type 2: | EXCLUSIVE | | | |

THIS DRAWING AND THE COPYRIGHT THEREIN IS THE PROPERTY OF THE SYMPHONY GROUP PLC. THIS DRAWING IS ISSUED ON THE CONDITION THAT IT MUST NOT BE USED, COPIED OR EXHIBITED WITHOUT THE WRITTEN PERMISSION OF THE SYMPHONY GROUP PLC. ANY COMPONENTS OR ARTICLES MADE IN ACCORDANCE WITH THIS DRAWING MUST NOT BE USED FOR ANY OTHER PURPOSE THAN FOR WHICH THE DRAWING IS ISSUED.

THIS PLAN IS OFFERED AS A GUIDE ONLY FOR APPROVAL BY OUR CUSTOMER. NO RESPONSIBILITY IS UNDERTAKEN FOR ITS ACCURACY IN RELATION TO ORDERS PLACED FOR THE FITTING OF OUR GOODS WITHIN THE DIMENSIONS SHOWN.

**SCHEDULE &
CUBIC CAPACITY****Symphony**[®]

| | | | |
|--------------|--|----------------|-------------------------------|
| Client Name: | BLOOR HOMES | Site Name: | BLOOR 2022 CLASSIC ISSUE 4 |
| House Type: | CLASSIC 476 WYATT - UTILITY EXCLUSIVE | | |
| Drawing No: | 724186U_ | Revision No: | |
| Date Drawn: | Fri, Nov 25, 2022 | Revision Date: | |
| Designed By: | CARA NORTCLIFF | Quote No: | |

Items on Plan:

Default Style

| Plan No. | Qty | Code | Hdg | Description | Dims | CC (M3) |
|----------|-----|----------|-----|--|---------|---------|
| 1 | 1 | BBU6592R | | Replacement End Matched Base Blender | 650/920 | |
| | 1 | BBU6592R | | Replacement End Matched Base Blender 650/920 TO BOX BOILER PIPES | | |
| | 1 | BBU6592R | | Replacement End Matched Base Blender 650/920 TO BOX BOILER PIPES | | |

**Total cubic metres of
storage**

Worktop Details:

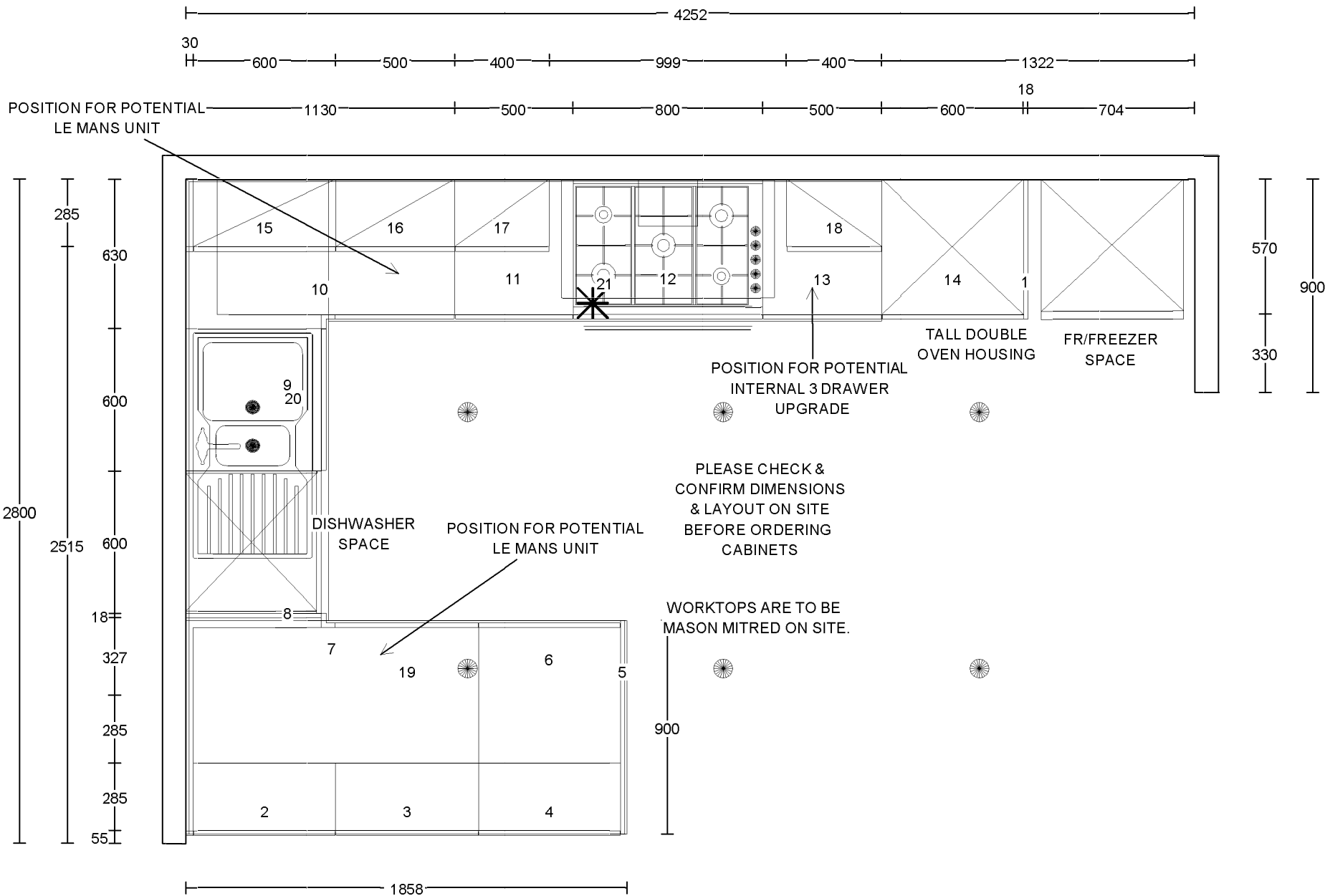
Default Style

| Plan No. | Qty | Code | Description | Dims |
|----------|-----|----------|---|----------|
| 2 | 1 | PWT | 40mm PVC Edged / 40mm Premium / 30mm Hi Def Worktop | 1700/650 |
| | 1 | PFUP3095 | Laminate Upstand | 3050/95 |
| | 1 | PFUP3095 | Laminate Upstand | 3050/95 |

Accessories and Trims:

Default Style

| Qty | Code | Description | Dims |
|-----|--------------|-----------------------------|------|
| 1 | RUNITPROTECT | Kitchen Protective Material | |



| | |
|---------------|---------------------------------|
| Client: | BLOOR HOMES |
| Site: | BLOOR 2022 |
| House Type: | CLASSIC 476 WYATT - EXC UTILITY |
| House Type 2: | STANDARD PAN DRAWER |

| | |
|--------------|--------------|
| Drawing No: | 724183_A |
| Revision No: | A |
| Scale: | Scale-to-fit |

Symphony®

THIS DRAWING AND THE COPYRIGHT THEREIN IS THE PROPERTY OF THE SYMPHONY GROUP PLC. THIS DRAWING IS ISSUED ON THE CONDITION THAT IT MUST NOT BE USED, COPIED OR EXHIBITED WITHOUT THE WRITTEN PERMISSION OF THE SYMPHONY GROUP PLC. ANY COMPONENTS OR ARTICLES MADE IN ACCORDANCE WITH THIS DRAWING MUST NOT BE USED FOR ANY OTHER PURPOSE THAN FOR WHICH THE DRAWING IS ISSUED.

THIS PLAN IS OFFERED AS A GUIDE ONLY FOR APPROVAL BY OUR CUSTOMER. NO RESPONSIBILITY IS UNDERTAKEN FOR ITS ACCURACY IN RELATION TO ORDERS PLACED FOR THE FITTING OF OUR GOODS WITHIN THE DIMENSIONS SHOWN.

**SCHEDULE &
CUBIC CAPACITY**



| | | | |
|--------------|--|----------------|-------------------------------|
| Client Name: | BLOOR HOMES | Site Name: | BLOOR 2022 CLASSIC ISSUE 4 |
| House Type: | CLASSIC 476 WYATT - EXC UTILITY STANDARD PAN DRAWER | | |
| Drawing No: | 724183_A | Revision No: | A |
| Date Drawn: | Fri, Jul 15, 2022 | Revision Date: | 14.7.22 |
| Designed By: | CARA NORTCLIFF | Quote No: | |

Items on Plan:

| Plan No. | Qty | Code | Hdg | Description | Dims | CC (M3) |
|----------|-----|------------|-----|---|--------------|---------|
| 1 | 1 | BLU7523C | | Carcase Matched Tall Blender | 750/2400 | |
| 2 | 1 | BU63F | L | Reduced Depth Base Unit FH | 600/300/870 | 0.10 |
| 3 | 1 | BU63F | L | Reduced Depth Base Unit FH | 600/300/870 | 0.10 |
| 4 | 1 | BU63F | R | Reduced Depth Base Unit FH | 600/300/870 | 0.10 |
| 5 | 1 | BBBP992C | | Carcase Matched Breakfast Bar Back Panel | 900/920 | |
| 6 | 1 | BU66F | L | Base Unit FH | 600/600/870 | 0.20 |
| 7 | 1 | CB126FFP | R | Corner Base FH (600 Door) (Flexi C/Post) | 1200/600/870 | 0.41 |
| 8 | 1 | BBU6592C | | Carcase Matched Base Blender | 650/920 | |
| 9 | 1 | SU66SLF | R | Sink Unit FH w/Sink Liner | 600/600/870 | 0.20 |
| 10 | 1 | CB106FAFP | L | Corner Base FH (500 Door) (Flexi C/Post) | 1000/600/870 | 0.34 |
| 11 | 1 | BU56F | L | Base Unit FH | 500/600/870 | 0.16 |
| 12 | 1 | PD86D2IDT | | 2 Pan Drawer Unit w/Int. Top Drawer | 800/600/870 | 0.26 |
| 12.1 | 1 | HOBSHIELD8 | | Hobshield | 800 | |
| 13 | 1 | BU56F | R | Base Unit FH | 500/600/870 | 0.16 |
| 14 | 1 | OH663A | R | Dbl Oven Hsg. (3A) | 600/600/2100 | 0.28 |
| 15 | 1 | WU672 | L | Wall Unit | 600/300/724 | 0.10 |
| 16 | 1 | WU572 | L | Wall Unit | 500/300/724 | 0.08 |
| 17 | 1 | WU472 | L | Wall Unit | 400/300/724 | 0.07 |
| 18 | 1 | WU472 | R | Wall Unit | 400/300/724 | 0.07 |
| | 1 | BWU390C | | Carcase Matched Wall Blender (For Filler) | 307/970 | |
| | 1 | BWU390C | | Carcase Matched Wall Blender (For Filler) | 307/970 | |

Total cubic metres of storage 2.63

Worktop Details:

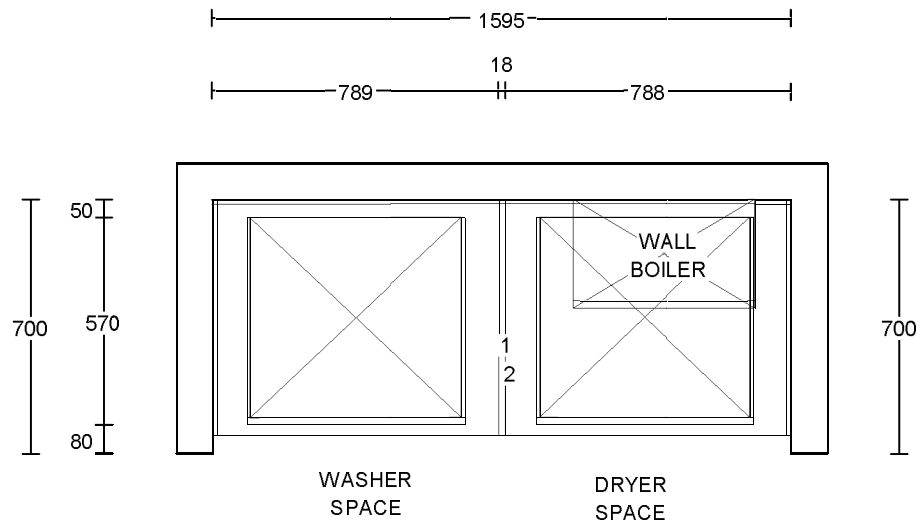
| Plan No. | Qty | Code | Description | Dims |
|----------|-----|------|-------------|------|
| | | | | |

| | | | | |
|----|---|----------|--|----------|
| 19 | 1 | DPWT | 40mm Double PVC Edged / 40mm Premium / 30mm Hi Def Worktop | 2000/900 |
| 20 | 1 | PWT | 40mm PVC Edged / 40mm Premium / 30mm Hi Def Worktop | 2000/600 |
| 21 | 1 | PWT | 40mm PVC Edged / 40mm Premium Worktop | 2500/600 |
| | 1 | PFUP3095 | Laminate Upstand | 3000/95 |
| | 1 | PFUP3095 | Laminate Upstand | 3000/95 |

Accessories and Trims:

Default Style

| Qty | Code | Description | Dims |
|-----|--------------|---|--------|
| 1 | BRKPLINTH | Plinth Corner Bracket (Pack of 2) | |
| 4 | CONPLINTHC | Carcase Matched Continuous Plinth w/Plinth Seal | 2600 |
| 1 | CTRAYVINT8 | Standard Pan Drawer Internal Cutlery Tray | 800 |
| 2 | RUNITPROTECT | Kitchen Protective Material | |
| 1 | STSBACK900 | Stainless Steel Splashback 900 X | 750 |
| 2 | TOPSEALBOLT | Topseal Easibolt Pack | |
| 1 | VENTGRILL200 | Ventilation Grill - Flowrate | 200cm2 |



650mm DEEP WORKTOPS

PLEASE CHECK &
CONFIRM DIMENSIONS
& LAYOUT ON SITE
BEFORE ORDERING
CABINETS

| | | | | |
|---------------|-----------------------------|--------------|--------------|------------------------------|
| Client: | BLOOR HOMES | Drawing No: | 724183U_ | Symphony [®] |
| Site: | BLOOR 2022 | Revision No: | | |
| House Type: | CLASSIC 476 WYATT - UTILITY | Scale: | Scale-to-fit | |
| House Type 2: | STANDARD PAN DRAWER | | | |

THIS DRAWING AND THE COPYRIGHT THEREIN IS THE PROPERTY OF THE SYMPHONY GROUP PLC. THIS DRAWING IS ISSUED ON THE CONDITION THAT IT MUST NOT BE USED, COPIED OR EXHIBITED WITHOUT THE WRITTEN PERMISSION OF THE SYMPHONY GROUP PLC. ANY COMPONENTS OR ARTICLES MADE IN ACCORDANCE WITH THIS DRAWING MUST NOT BE USED FOR ANY OTHER PURPOSE THAN FOR WHICH THE DRAWING IS ISSUED.

THIS PLAN IS OFFERED AS A GUIDE ONLY FOR APPROVAL BY OUR CUSTOMER. NO RESPONSIBILITY IS UNDERTAKEN FOR ITS ACCURACY IN RELATION TO ORDERS PLACED FOR THE FITTING OF OUR GOODS WITHIN THE DIMENSIONS SHOWN.

**SCHEDULE &
CUBIC CAPACITY**

Symphony[®]

| | | | |
|--------------|--|----------------|-------------------------------|
| Client Name: | BLOOR HOMES | Site Name: | BLOOR 2022 CLASSIC ISSUE 4 |
| House Type: | CLASSIC 476 WYATT - UTILITY STANDARD PAN DRAWER | | |
| Drawing No: | 724183U_ | Revision No: | |
| Date Drawn: | Fri, Nov 25, 2022 | Revision Date: | |
| Designed By: | CARA NORTCLIFF | Quote No: | |

Items on Plan:

Default Style

| Plan No. | Qty | Code | Hdg | Description | Dims | CC (M3) |
|----------|-----|----------|-----|--|---------|---------|
| 1 | 1 | BBU6592C | | Carcase Matched Base Blender | 650/920 | |
| | 1 | BBU6592C | | Carcase Matched Base Blender 650/920 TO BOX BOILER PIPES | | |
| | 1 | BBU6592C | | Carcase Matched Base Blender 650/920 TO BOX BOILER PIPES | | |

**Total cubic metres of
storage**

Worktop Details:

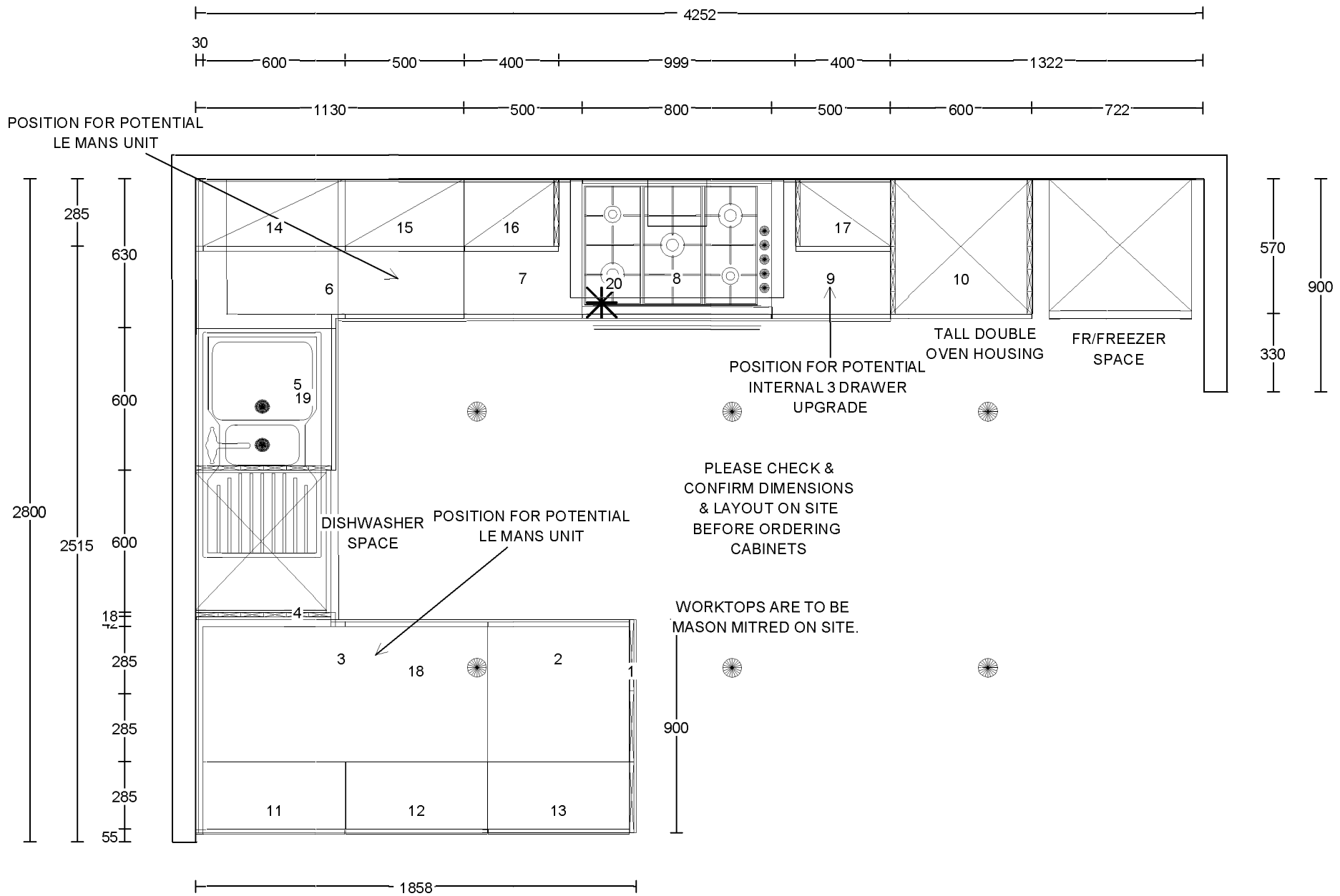
Default Style

| Plan No. | Qty | Code | Description | Dims |
|----------|-----|----------|---|----------|
| 2 | 1 | PWT | 40mm PVC Edged / 40mm Premium / 30mm Hi Def Worktop | 1700/650 |
| | 1 | PFUP3095 | Laminate Upstand | 3050/95 |
| | 1 | PFUP3095 | Laminate Upstand | 3050/95 |

Accessories and Trims:

Default Style

| Qty | Code | Description | Dims |
|-----|--------------|-----------------------------|------|
| 1 | RUNITPROTECT | Kitchen Protective Material | |



| | |
|---------------|---------------------------------|
| Client: | BLOOR HOMES |
| Site: | BLOOR 2022 |
| House Type: | CLASSIC 476 WYATT - EXC UTILITY |
| House Type 2: | UPGRADE PAN DARWER |

| | |
|--------------|--------------|
| Drawing No: | 724185_A |
| Revision No: | A |
| Scale: | Scale-to-fit |

Symphony

THIS DRAWING AND THE COPYRIGHT THEREIN IS THE PROPERTY OF THE SYMPHONY GROUP PLC. THIS DRAWING IS ISSUED ON THE CONDITION THAT IT MUST NOT BE USED, COPIED OR EXHIBITED WITHOUT THE WRITTEN PERMISSION OF THE SYMPHONY GROUP PLC. ANY COMPONENTS OR ARTICLES MADE IN ACCORDANCE WITH THIS DRAWING MUST NOT BE USED FOR ANY OTHER PURPOSE THAN FOR WHICH THE DRAWING IS ISSUED.

THIS PLAN IS OFFERED AS A GUIDE ONLY FOR APPROVAL BY OUR CUSTOMER. NO RESPONSIBILITY IS UNDERTAKEN FOR ITS ACCURACY IN RELATION TO ORDERS PLACED FOR THE FITTING OF OUR GOODS WITHIN THE DIMENSIONS SHOWN.

**SCHEDULE &
CUBIC CAPACITY**



| | | | |
|--------------|---|----------------|-------------------------------|
| Client Name: | BLOOR HOMES | Site Name: | BLOOR 2022 CLASSIC ISSUE 4 |
| House Type: | CLASSIC 476 WYATT - EXC UTILITY UPGRADE PAN DARWER | | |
| Drawing No: | 724185_A | Revision No: | A |
| Date Drawn: | Fri, Jul 15, 2022 | Revision Date: | 14.7.22 |
| Designed By: | CARA NORTCLIFF | Quote No: | |

Items on Plan:

Default Style

| Plan No. | Qty | Code | Hdg | Description | Dims | CC (M3) |
|----------|-----|------------|-----|--|--------------|---------|
| 1 | 1 | BBBP992R | | Replacement End Matched Breakfast Bar Back Panel | 900/920 | |
| 2 | 1 | BU66F | L | Base Unit FH | 600/600/870 | 0.20 |
| 3 | 1 | CB126FBO | R | Corner Base FH, No C/Post (600 Door) | 1200/600/870 | 0.41 |
| 4 | 1 | BBU6592R | | Replacement End Matched Base Blender | 650/920 | |
| 5 | 1 | SU66SLFGL | R | Sink Unit FH w/Sink Liner (LH End) | 600/600/870 | 0.20 |
| 6 | 1 | CB106FAFP | L | Corner Base FH (500 Door) (Flexi C/Post) | 1000/600/870 | 0.34 |
| 7 | 1 | BU56F | L | Base Unit FH | 500/600/870 | 0.16 |
| 8 | 1 | PD86D2IDT | | 2 Pan Drawer Unit w/Int. Top Drawer | 800/600/870 | 0.26 |
| 8.1 | 1 | HOBSHIELD8 | | Hobshield | 800 | |
| 9 | 1 | BU56F | R | Base Unit FH | 500/600/870 | 0.16 |
| 10 | 1 | OH663AG2 | R | Dbl Oven Hsg. (3A) (2 Ends) | 600/600/2100 | 0.28 |
| 11 | 1 | BU63F | L | Reduced Depth Base Unit FH | 600/300/870 | 0.10 |
| 12 | 1 | BU63F | L | Reduced Depth Base Unit FH | 600/300/870 | 0.10 |
| 13 | 1 | BU63F | R | Reduced Depth Base Unit FH | 600/300/870 | 0.10 |
| 14 | 1 | WU672 | L | Wall Unit | 600/300/724 | 0.10 |
| 15 | 1 | WU572 | L | Wall Unit | 500/300/724 | 0.08 |
| 16 | 1 | WU472GR | L | Wall Unit (RH End) | 400/300/724 | 0.07 |
| 17 | 1 | WU472GL | R | Wall Unit (LH End) | 400/300/724 | 0.07 |
| | 1 | HOBSHIELD6 | | Hobshield | 600 | |
| | 1 | FRONTPNL72 | | Frontal Matched Filler Panel (For C/Post) | 720 | |
| | 1 | BWU390R | | Replacement End Matched Wall Blender (For Filler) | 307/970 | |
| | 1 | BWU390R | | Replacement End Matched Wall Blender (For Filler) | 307/970 | |

Total cubic metres of storage 2.63

Worktop Details:

Default Style

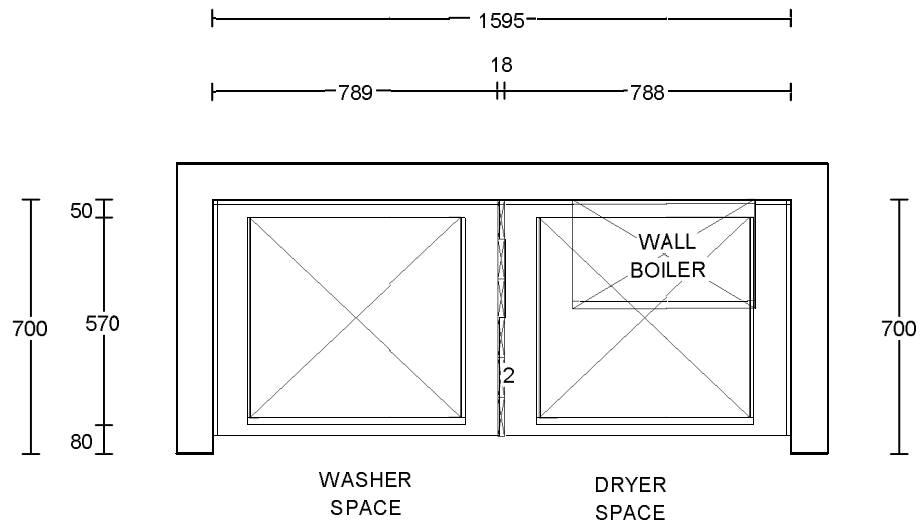
| |
|--|
| |
|--|

| Plan No. | Qty | Code | Description | Dims |
|-----------------|------------|-------------|--|-------------|
| 18 | 1 | DPWT | 40mm Double PVC Edged / 40mm Premium / 30mm Hi Def Worktop | 2000/900 |
| 19 | 1 | PWT | 40mm PVC Edged / 40mm Premium / 30mm Hi Def Worktop | 2000/600 |
| 20 | 1 | PWT | 40mm PVC Edged / 40mm Premium Worktop | 2500/600 |
| | 1 | PFUP3095 | Laminate Upstand | 3000/95 |
| | 1 | PFUP3095 | Laminate Upstand | 3000/95 |

Accessories and Trims:

Default Style

| Qty | Code | Description | Dims |
|------------|--------------|---|-------------|
| 4 | CONPLINTHR | Replacement End Matched Continuous Plinth w/Plinth Seal | 2600 |
| 1 | CTRAYVINT8 | Standard Pan Drawer Internal Cutlery Tray | 800 |
| 2 | RUNITPROTECT | Kitchen Protective Material | |
| 1 | STSBACK900 | Stainless Steel Splashback 900 X | 750 |
| 2 | TOPSEALBOLT | Topseal Easibolt Pack | |
| 1 | VENTGRIDGR | Aeration Grid Grey | 510/45/15 |



650mm DEEP WORKTOPS

PLEASE CHECK &
CONFIRM DIMENSIONS
& LAYOUT ON SITE
BEFORE ORDERING
CABINETS

| | | | | |
|---------------|-----------------------------|--------------|--------------|------------------------------|
| Client: | BLOOR HOMES | Drawing No: | 724185U_ | Symphony [®] |
| Site: | BLOOR 2022 | Revision No: | | |
| House Type: | CLASSIC 476 WYATT - UTILITY | Scale: | Scale-to-fit | |
| House Type 2: | UPGRADE PAN DRAWER | | | |

THIS DRAWING AND THE COPYRIGHT THEREIN IS THE PROPERTY OF THE SYMPHONY GROUP PLC. THIS DRAWING IS ISSUED ON THE CONDITION THAT IT MUST NOT BE USED, COPIED OR EXHIBITED WITHOUT THE WRITTEN PERMISSION OF THE SYMPHONY GROUP PLC. ANY COMPONENTS OR ARTICLES MADE IN ACCORDANCE WITH THIS DRAWING MUST NOT BE USED FOR ANY OTHER PURPOSE THAN FOR WHICH THE DRAWING IS ISSUED.

THIS PLAN IS OFFERED AS A GUIDE ONLY FOR APPROVAL BY OUR CUSTOMER. NO RESPONSIBILITY IS UNDERTAKEN FOR ITS ACCURACY IN RELATION TO ORDERS PLACED FOR THE FITTING OF OUR GOODS WITHIN THE DIMENSIONS SHOWN.

**SCHEDULE &
CUBIC CAPACITY**



| | | | |
|--------------|---|----------------|-------------------------------|
| Client Name: | BLOOR HOMES | Site Name: | BLOOR 2022 CLASSIC ISSUE 4 |
| House Type: | CLASSIC 476 WYATT - UTILITY UPGRADE PAN DRAWER | | |
| Drawing No: | 724185U_ | Revision No: | |
| Date Drawn: | Fri, Nov 25, 2022 | Revision Date: | |
| Designed By: | CARA NORTCLIFF | Quote No: | |

Items on Plan: Default Style

| Plan No. | Qty | Code | Hdg | Description | Dims | CC (M3) |
|----------|-----|----------|-----|--|---------|---------|
| 1 | 1 | BBU6592R | | Replacement End Matched Base Blender | 650/920 | |
| | 1 | BBU6592R | | Replacement End Matched Base Blender 650/920 TO BOX BOILER PIPES | | |
| | 1 | BBU6592R | | Replacement End Matched Base Blender 650/920 TO BOX BOILER PIPES | | |

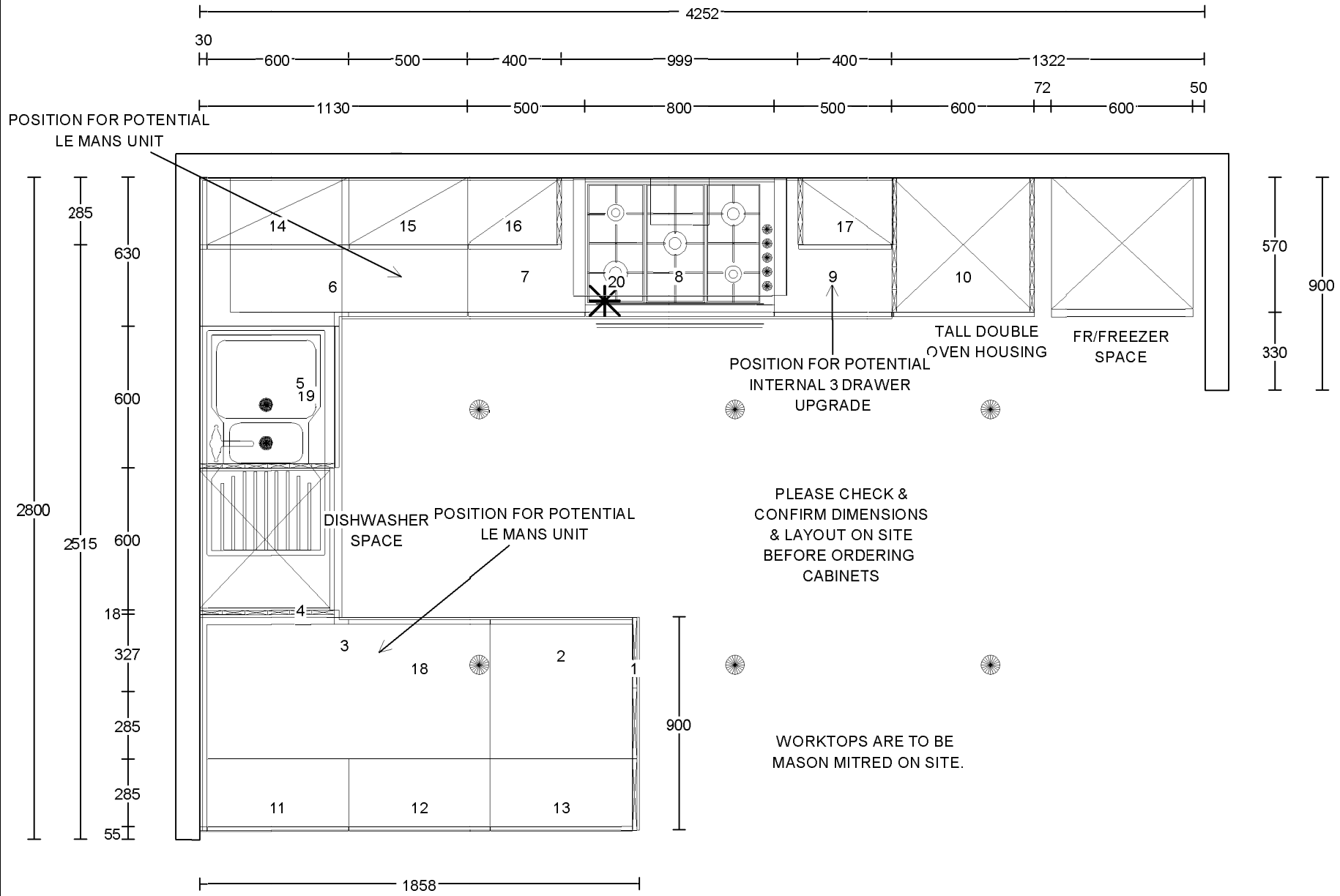
**Total cubic metres of
storage**

Worktop Details: Default Style

| Plan No. | Qty | Code | Description | Dims |
|----------|-----|----------|---|----------|
| 2 | 1 | PWT | 40mm PVC Edged / 40mm Premium / 30mm Hi Def Worktop | 1700/650 |
| | 1 | PFUP3095 | Laminate Upstand | 3050/95 |
| | 1 | PFUP3095 | Laminate Upstand | 3050/95 |

Accessories and Trims: Default Style

| Qty | Code | Description | Dims |
|-----|--------------|-----------------------------|------|
| 1 | RUNITPROTECT | Kitchen Protective Material | |



| | | | |
|---------------|---------------------------------|--------------|--------------|
| Client: | BLOOR HOMES | Drawing No: | 724187__ |
| Site: | BLOOR 2022 | Revision No: | |
| House Type: | CLASSIC 476 WYATT - EXC UTILITY | Scale: | Scale-to-fit |
| House Type 2: | EXCLUSIVE PAN DARWER | | |



THIS DRAWING AND THE COPYRIGHT THEREIN IS THE PROPERTY OF THE SYMPHONY GROUP PLC. THIS DRAWING IS ISSUED ON THE CONDITION THAT IT MUST NOT BE USED, COPIED OR EXHIBITED WITHOUT THE WRITTEN PERMISSION OF THE SYMPHONY GROUP PLC. ANY COMPONENTS OR ARTICLES MADE IN ACCORDANCE WITH THIS DRAWING MUST NOT BE USED FOR ANY OTHER PURPOSE THAN FOR WHICH THE DRAWING IS ISSUED.

THIS PLAN IS OFFERED AS A GUIDE ONLY FOR APPROVAL BY OUR CUSTOMER. NO RESPONSIBILITY IS UNDERTAKEN FOR ITS ACCURACY IN RELATION TO ORDERS PLACED FOR THE FITTING OF OUR GOODS WITHIN THE DIMENSIONS SHOWN.

**SCHEDULE &
CUBIC CAPACITY**



| | | | |
|--------------|---|----------------|-------------------------------|
| Client Name: | BLOOR HOMES | Site Name: | BLOOR 2022 CLASSIC ISSUE 4 |
| House Type: | CLASSIC 476 WYATT - EXC UTILITY EXCLUSIVE PAN DARWER | | |
| Drawing No: | 724187__ | Revision No: | |
| Date Drawn: | Wed, Mar 30, 2022 | Revision Date: | |
| Designed By: | CARA NORTCLIFF | Quote No: | |

Items on Plan:

Default Style

| Plan No. | Qty | Code | Hdg | Description | Dims | CC (M3) |
|----------|-----|------------|-----|--|--------------|---------|
| 1 | 1 | BBBP992R | | Replacement End Matched Breakfast Bar Back Panel | 900/920 | |
| 2 | 1 | BU66F | L | Base Unit FH | 600/600/870 | 0.20 |
| 3 | 1 | CB126FFP | R | Corner Base FH (600 Door) (Flexi C/Post) | 1200/600/870 | 0.41 |
| 4 | 1 | BBU6592R | | Replacement End Matched Base Blender | 650/920 | |
| 5 | 1 | SU66SLFGL | R | Sink Unit FH w/Sink Liner (LH End) | 600/600/870 | 0.20 |
| 6 | 1 | CB106FAFP | L | Corner Base FH (500 Door) (Flexi C/Post) | 1000/600/870 | 0.34 |
| 7 | 1 | BU56F | L | Base Unit FH | 500/600/870 | 0.16 |
| 8 | 1 | PD86D2IDT | | 2 Pan Drawer Unit w/Int. Top Drawer | 800/600/870 | 0.26 |
| 8.1 | 1 | HOBSHIELD8 | | Hobshield | 800 | |
| 9 | 1 | BU56F | R | Base Unit FH | 500/600/870 | 0.16 |
| 10 | 1 | OH663AG2 | R | Dbl Oven Hsg. (3A) (2 Ends) | 600/600/2100 | 0.28 |
| 11 | 1 | BU63F | L | Reduced Depth Base Unit FH | 600/300/870 | 0.10 |
| 12 | 1 | BU63F | L | Reduced Depth Base Unit FH | 600/300/870 | 0.10 |
| 13 | 1 | BU63F | R | Reduced Depth Base Unit FH | 600/300/870 | 0.10 |
| 14 | 1 | WU672 | L | Wall Unit | 600/300/724 | 0.10 |
| 15 | 1 | WU572 | L | Wall Unit | 500/300/724 | 0.08 |
| 16 | 1 | WU472GR | L | Wall Unit (RH End) | 400/300/724 | 0.07 |
| 17 | 1 | WU472GL | R | Wall Unit (LH End) | 400/300/724 | 0.07 |
| | 1 | BWU390R | | Replacement End Matched Wall Blender (For Filler) | 307/970 | |
| | 1 | BWU390R | | Replacement End Matched Wall Blender (For Filler) | 307/970 | |

Total cubic metres of storage

2.63

Worktop Details:

Default Style

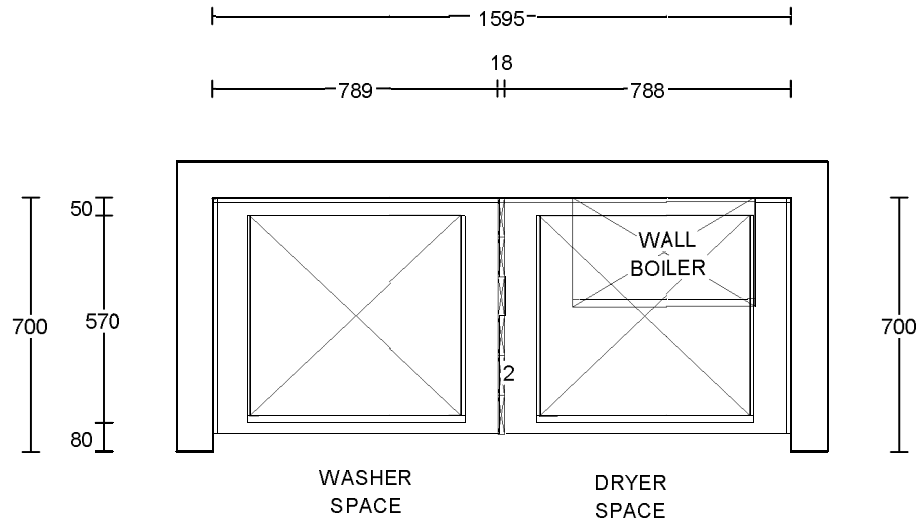
| Plan No. | Qty | Code | Description | Dims |
|----------|-----|------|-------------|------|
|----------|-----|------|-------------|------|

| | | | | |
|----|---|----------|--|----------|
| 18 | 1 | DPWT | 40mm Double PVC Edged / 40mm Premium / 30mm Hi Def Worktop | 2000/900 |
| 19 | 1 | PWT | 40mm PVC Edged / 40mm Premium / 30mm Hi Def Worktop | 2000/600 |
| 20 | 1 | PWT | 40mm PVC Edged / 40mm Premium Worktop | 2500/600 |
| | 1 | PFUP3095 | Laminate Upstand | 3000/95 |
| | 1 | PFUP3095 | Laminate Upstand | 3000/95 |

Accessories and Trims:

Default Style

| Qty | Code | Description | Dims |
|-----|--------------|--|-----------|
| 4 | CONPLINTHR | Replacement End Matched Continuous Plinth w/Plinth Seal | 2600 |
| 1 | CTRAYVINT8 | Standard Pan Drawer Internal Cutlery Tray | 800 |
| 1 | GLSPLASH975 | Glass Splashback | 900/750 |
| 2 | RUNITPROTECT | Kitchen Protective Material | |
| 2 | TOPSEALBOLT | Topseal Easibolt Pack | |
| 1 | VENTGRIDGR | Aeration Grid Grey | 510/45/15 |



650mm DEEP WORKTOPS

PLEASE CHECK &
CONFIRM DIMENSIONS
& LAYOUT ON SITE
BEFORE ORDERING
CABINETS

| | | | |
|---------------|-----------------------------|--------------|--------------|
| Client: | BLOOR HOMES | Drawing No: | 724187U_ |
| Site: | BLOOR 2022 | Revision No: | |
| House Type: | CLASSIC 476 WYATT - UTILITY | Scale: | Scale-to-fit |
| House Type 2: | EXCLUSIVE PAN DRAWER | | |

Symphony[®]

**SCHEDULE &
CUBIC CAPACITY****Symphony**[®]

| | | | |
|--------------|---|----------------|-------------------------------|
| Client Name: | BLOOR HOMES | Site Name: | BLOOR 2022 CLASSIC ISSUE 4 |
| House Type: | CLASSIC 476 WYATT - UTILITY EXCLUSIVE PAN DRAWER | | |
| Drawing No: | 724187U_ | Revision No: | |
| Date Drawn: | Fri, Nov 25, 2022 | Revision Date: | |
| Designed By: | CARA NORTCLIFF | Quote No: | |

Items on Plan:

Default Style

| Plan No. | Qty | Code | Hdg | Description | Dims | CC (M3) |
|----------|-----|----------|-----|--|---------|---------|
| 1 | 1 | BBU6592R | | Replacement End Matched Base Blender | 650/920 | |
| | 1 | BBU6592R | | Replacement End Matched Base Blender 650/920 TO BOX BOILER PIPES | | |
| | 1 | BBU6592R | | Replacement End Matched Base Blender 650/920 TO BOX BOILER PIPES | | |

**Total cubic metres of
storage**

Worktop Details:

Default Style

| Plan No. | Qty | Code | Description | Dims |
|----------|-----|----------|---|----------|
| 2 | 1 | PWT | 40mm PVC Edged / 40mm Premium / 30mm Hi Def Worktop | 1700/650 |
| | 1 | PFUP3095 | Laminate Upstand | 3050/95 |
| | 1 | PFUP3095 | Laminate Upstand | 3050/95 |

Accessories and Trims:

Default Style

| Qty | Code | Description | Dims |
|-----|--------------|-----------------------------|------|
| 1 | RUNITPROTECT | Kitchen Protective Material | |